

214
Reports of the Research Committee
of the
Society of Antiquaries of London

No. VIII

Report on the
Excavation of the Roman
Cemetery at Ospringe, Kent

By
the late W. Whiting, F.S.A.
Lieut.-Col. W. Hawley, F.S.A.
and
Thomas May, M.A., F.S.A.



Oxford

Printed at the University Press by John Johnson for

The Society of Antiquaries

Burlington House, London

1931

Price Five Shillings

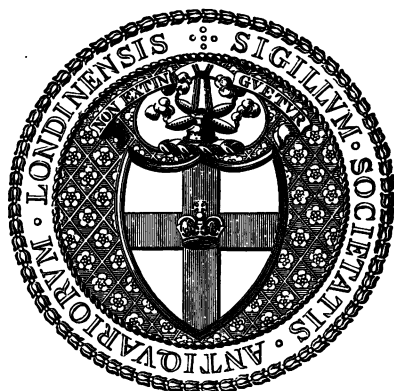
Reports of the Research Committee
of the
Society of Antiquaries of London

No. VIII

Report on the
Excavation of the Roman
Cemetery at Ospringe, Kent

By

The late W. Whiting, F.S.A.
Lieut.-Col. W. Hawley, F.S.A.
and
Thomas May, M.A., F.S.A.



Oxford

Printed at the University Press by John Johnson for
The Society of Antiquaries
Burlington House, London

1931

PRINTED IN GREAT BRITAIN

SOCIETY OF ANTIQUARIES

RESEARCH COMMITTEE

SIR CHARLES R. PEERS, C.B.E., M.A., F.B.A., *President.*

SIR ARTHUR J. EVANS, M.A., D.LITT., F.R.S., *Hon. Vice-President.*

E. THURLOW LEEDS, M.A., *Vice-President.*

W. MINET, M.A., *Treasurer.*

REGINALD A. SMITH, B.A., *Director.*

A. W. CLAPHAM, *Secretary.*

SIR HAROLD BRAKSPEAR, K.C.V.O.

J. P. BUSHE-FOX, M.A.

R. G. COLLINGWOOD, M.A.

REV. G. H. ENGLEHEART, M.A.

LT.-COL. WILLIAM HAWLEY.

A. KEILLER.

W. G. KLEIN.

W. H. KNOWLES.

R. S. NEWALL.

WILLIAM PAGE.

H. J. E. PEAKE, M.A.

T. DAVIES PRYCE, M.R.C.S.

MILL STEPHENSON, B.A.

W. M. TAPP, LL.D.

R. E. MORTIMER WHEELER, D.LIT.

H. S. KINGSFORD, M.A., *Assistant-Secretary.*

CONTENTS

INTRODUCTION	1
NOTE BY THOMAS MAY, F.S.A.	5
SAMIAN WARE: POTTERS' MARKS	7
DESCRIPTION OF GRAVES	14
NOTE ON THE GLASS	97
VARIOUS METAL AND BONE OBJECTS	99
LEAD AND PEWTER OBJECTS	100
THE COINS	100
REPORT ON THE HUMAN SKULLS, BY SIR ARTHUR KEITH, F.R.S.	101
ADDENDA ET CORRIGENDA	106

ILLUSTRATIONS IN THE TEXT

Section through Roadway, WXYZ on plan, 1921	3
Stamp on Samian Bowl, 'DOVIICCUS'	6
Samian Ware, Potters' Stamps, Facsimiles	11
Stamp on Amphora Handle	13
Skull of Woman (Fig. 1, on Pl. LXI)	101

PLATES

Pot Sections, reprinted from <i>Arch. Cant.</i>	I-XXV	} <i>at</i> <i>end</i>
Pot Sections excavated by Col. Hawley	XXVI-XLIX	
Pot Sections of earlier finds, reprinted from <i>Arch. Cant.</i>	L and LI	
Graffiti of Owners' Marks on Pots	LII	
Graffiti on Amphorae	LIII	
Inscribed Samian Bowl (No. 498 a, Group CLVI)	LIV	
Miscellaneous small finds	LV-LX	
Skeletons <i>in situ</i>	LXI	
Plans	LXII-LXIV	

LIST OF ABBREVIATIONS

<i>Antiq. Journ.</i>	<i>The Antiquaries Journal.</i>
<i>Arch. Ael.</i>	<i>Archaeologia Aeliana.</i>
<i>Arch. Cant.</i>	<i>Archaeologia Cantiana.</i>
<i>Arch. Journ.</i>	<i>The Archaeological Journal.</i>
B. M. Cat.	see Walters.
<i>C.I.L.</i>	<i>Corpus Inscriptionum Latinarum.</i>
Curle, <i>Newstead</i>	Curle, <i>A Roman Frontier Post. The Fort at Newstead.</i>
Déchelette	Déchelette, <i>Les vases céramiques ornés de la Gaule Romaine.</i>
Drag.	Dragendorff, 'Terra Sigillata' in <i>Bonner Jahrbücher</i> , vols. 96-7, 99.
<i>Hengistbury</i>	} Bushe-Fox, <i>Report on the Excavations at Hengistbury Head.</i> Reports of the Research Committee of the Society of Antiquaries, III.
<i>Hengistbury Report</i>	
Ludovici	Ludowici, i. <i>Stempel-Namen römischer Töpfer von meinen Ausgrabungen in Rheinzabern</i> ; ii. <i>Stempel-Bilder</i> ; iii. <i>Urnen-Gräber.</i>
May, <i>Carlisle</i>	<i>The Roman pottery in the Tullie House Museum, Carlisle.</i>
May, <i>Silchester</i>	May, <i>The Roman pottery found at Silchester.</i>
May, <i>York</i>	May, <i>The Roman pottery in York Museum.</i>
<i>Niederbieber</i>	} Oelmann, <i>Die Keramik des Kastells Niederbieber.</i>
Oelmann, <i>Niederbieber</i>	
O. & P.	Oswald & Pryce, <i>An introduction to the study of Terra-Sigillata.</i>
<i>R.-B. Guide</i>	British Museum, <i>Guide to Roman Britain.</i>
<i>Silchester</i>	see May, <i>Silchester.</i>
Sumner, <i>Ashley Rails</i>	Sumner, <i>A descriptive account of the Roman pottery made at Ashley Rails, New Forest.</i>
Sumner, <i>Sloden</i>	Sumner, <i>A descriptive account of Roman pottery sites at Sloden . . . New Forest.</i>
Walters	} Walters, <i>Catalogue of Roman pottery in the British Museum.</i>
Walters Cat.	
B. M. Cat.	
Wheeler, <i>Brecon</i>	Wheeler, <i>The Roman Fort near Brecon.</i>
Wheeler, <i>Segontium</i>	Wheeler, <i>Segontium and the Roman occupation of Wales</i> , in <i>Y Cymmrodor</i> , 33.
<i>Wroxeter</i>	} Bushe-Fox, <i>Excavations on the site of the Roman town at Wroxeter, Shropshire, in 1912, 1913, 1914.</i> Reports of the Research Committee of the Society of Antiquaries, I, II, and IV.
<i>Wroxeter Report</i>	

Excavations at Ospringe, Kent

By the late W. WHITING, F.S.A.

INTRODUCTION

THAT the Romano-British station of Durolevum was situated in or near the town of Faversham may, we think, be considered a fact. The Ordnance Survey maps show Syndale, about one mile west of Faversham, as a 'Roman Camp supposed to be Durolevum'; arguments for and against this will be found in *Archaeologia Cantiana*, vol. ix, published in 1872 after the Kent Archaeological Society had visited not only the camp there, but also the ruins of Stone Church in the valley adjoining and other antiquities in the neighbourhood.

A new era in the discovery and preservation of objects unearthed in the vicinity may be said to have begun in 1913. In August of that year a gravel-pit about 700 yards west of the camp was being watched by the Rev. R. Wyllie, curate of Ospringe, who was of opinion that the site had been used as a factory for flint tools in neolithic times, owing to the large number of flakes, cores, and finished implements that the gravel-diggers came across. His surprise was great when six Roman graves were met with, and about twenty pieces of pottery, including Upchurch and Samian ware, were unearthed. On the suggestion of Mr. Charles H. Drake, the late Mr. George Payne, F.S.A., was called in. His zeal and care in unearthing the relics that still remained *in situ* so impressed the discoverers that the collection was carefully kept intact and exhibited locally in the public reading-room of the Faversham Institute. In *Arch. Cant.*, vol. xxxi, p. 284, the graves were described by Mr. Payne, but the sectional drawings of the pottery on modern lines did not appear in the same publication until vol. xxxix was issued, the drawings being reprinted and numbered in this present report from 661 to 681.

In 1915 a Samian patera, form 15, was discovered about 120 yards north-west from the front door of Syndale House on the edge of the embankment of the camp and is here numbered 682. The last three urns illustrated (683 to 685) can be seen at the Beaney Institute, Canterbury; they are known to have been discovered at Syndale and were presented to the Royal Museum, Canterbury, by Sir Samuel Auchmuty, then owner of the mansion, somewhere about the year 1790. The spot where the six graves were discovered is marked *A* on plan (pl. LXXI); the Samian

2 REPORTS OF THE SOCIETY OF ANTIQUARIES

patra was found at *B*, but whether the three urns now at Canterbury were discovered south of the mansion on the spot marked on the Ordnance map 'Roman remains found' or during the excavation of the present road at *C* (where the gradient was eased at the top of the rise during the remodelling of the coach roads at the beginning of the last century¹), it is not now possible to say.

The original line of the Watling Street at this point would doubtless have been straight and have formed the boundary between the parishes of Ospringe on the south and Faversham on the north; but as will be seen this division, as shown by the dotted line, does not coincide with the present main road. Several other diversions of the highway in this immediate vicinity have been traced, and are indicated on the map.

Interest was revived by the chance discovery of a burial ground about 700 yards east of the camp at the site marked *D*; fifty-nine objects were recovered from the burial ground here, and were published in *Arch. Cant.*, vols. xxxv and xxxvi. This graveyard no. 1 was thoroughly examined so far as surrounding buildings permitted, and the work was assisted by a grant from the Society's Research Fund. While it was in progress an isolated burial at Kennaways, about two miles south in the same parish, was met with in another gravel-pit: the pots are here numbered 60 to 62. The group was dated about A.D. 300, and seven years after it was published a coin of Licinius from the same spot came into the possession of the writer.²

The above was proceeding in the autumn of 1920 and it was on the point of completion in July 1921, when further burials were discovered about 285 yards west, and the largest of all these burial grounds was located at the spot marked *E*,³ whence the pots numbered 63 to 113 were recovered between July and November. In September 1922 the owner of the Syndale estate initiated some excavations near to and also within the camp. Twenty-three holes and trenches were dug on the top of the hill in the position indicated at *F*; one of the trenches was 38 ft. long, but only one isolated human burial was discovered, although potsherds were occasionally met with in the course of the work. A long trench was dug within the park at *G*, and two others at *H*, the main object of the latter being to prove the existence of the original Watling Street on the line indicated. A rubbish pit was found at *H* containing potsherds, pieces of burnt wattle-and-daub, and many animal bones; a coin of Commodus was

¹ See E. Jacob's plan in the Society's collection (Kent, Red portfolio iii, 19).

² *Arch. Cant.*, vol. xli, 198.

³ 'Cemetery no. 2' on plates of pottery sections.

the most important item, and the potsherds apparently belonged to all the first three centuries.

Local effort enabled the investigation of the cemetery *E* to be proceeded with in February 1923, and it was considered advisable to restrict the research to fixing the limits of the burial ground. To this end a trench 2½ ft. wide and holes dug north and south proved burials to exist in that direction to the extent of 194 ft., whereas in the cross-trench, 15 ft. wide running east and west, the extreme burials unearthed were 70 ft. apart. In the course

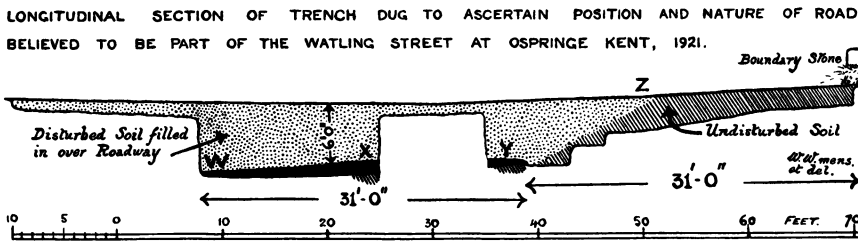


FIG. 1. SECTION THROUGH ROAD WHICH FOLLOWED LINE OF PARISH BOUNDARY (see pl. LXIV).

of excavating these trenches the pots numbered 114 to 227 were recovered, together with some of the miscellaneous objects illustrated in plates LVII and LVIII.

The final opportunity came in the autumn of 1924 when Queen Court farm, of which this field is a part, changed hands, and the new owner decided to grub the existing hops and plant fruit trees. He generously placed the field for the winter at the disposal of the Society and, under the superintendence of Colonel Hawley, about two dozen ex-service men were employed for several months to complete the work begun by local enterprise. For a detailed account of the inception and success of this research, reference should be made to the anniversary address of the President in the *Antiquaries Journal* for July 1925 (v, p. 228). Colonel Hawley carefully noted the position, depth, and contents of every burial met with. Cremations and inhumations appeared at different depths and of dates covering the whole apparent period of the burial ground. It should be observed that when first uncovered the porous pottery was dirty and wet, and had quite a different colour from its appearance when cleaned and dried; and further that as smaller vessels were often found inside the larger ones, his previous data were subsequently found to be incomplete. Many burials were met with daily: each group was carefully packed in a box and sent to the washing-station for cleaning and further examination: in due course the

4 REPORTS OF THE SOCIETY OF ANTIQUARIES

groups of relics were deposited in the museum founded at the Maison-Dieu to receive them. Mr. Thomas May kindly spent several weeks in examining, drawing, and cataloguing every pot from 228 to 660, comprising Groups LXVII to CCII. These will therefore be found doubly described, as first seen by Colonel Hawley and as restored twelve months later. Colonel Hawley records 172 cremations and 74 common burials: in the same area the writer has recorded 66 grave-groups, that is to say burials which comprised more than one earthenware pot, 29 burials in which only one vessel was found, and 6 inhumation burials in which some object such as a bracelet was the only relic recovered. In addition to all these many skeletons were observed in various degrees of decay: generally speaking, those near the surface were much further decayed than those at greater depths; no record of these was kept in the early stages of the work, but it is estimated that at least a further 40 burials may be thus accounted for. The total of 387 burials thus arrived at may be taken as approximately half the number of persons buried in this cemetery, because a study of the plan at once shows the great probability that as many again would be found under the present roadway and the adjoining shrubbery, where further search is not likely to be undertaken in this generation.

In conclusion, it should be added that the success attending the research in 1925 induced the generous but anonymous donor of the funds enabling the work to be done to repeat his generosity in the following year, so in 1926 Colonel Hawley returned for further excavations, when the main objective was to examine the ruined and desecrated church of Stone. During the season's work many objects of the Roman period were recovered, mainly from the surrounding field, and particularly in one trench, 450 ft. long, dug parallel and near to the present road. In this trench, about 5 ft. below the present surface level, a cobbled hearth was discovered at H. 2, and around it were wall foundations constructed of chalk: another paved hearth and wall foundations, constructed of flint, had been met with at H. 1 in Syndale Park in 1925, and these were the only habitation sites found. Two of the objects mentioned have been drawn and illustrated on pl. LIX. The coins which were recovered from the cemetery site on the other side of the hill in the previous year and those found in this field are recorded together in *Arch. Cant.*, xli, 197-206, and show that the area as a whole was in use during practically the whole period covered, from the Claudian invasion to the end of the fourth century.

Thanks should be recorded to the many friends who by their

subscriptions have enabled the work to be carried through ; to Major George Wheler, M.C., the owner of Syndale Park, for access to that and some of the surrounding land ; to Mr. Lewis H. Finn, Lorenden, Ospringe, for allowing the excavations in his field ; to the various specialist writers of the different chapters comprising this report ; to Messrs. R. S. Giles, Marshall Harvey, A. H. Horsfield, Cyril A. Downer and others for drawing the objects and plans for reproduction, and to the Kent Archaeological Society for the loan of the blocks which have been published in *Archaeologia Cantiana*, but are here reprinted in order to make the Report complete.

NOTE BY THOMAS MAY, F.S.A.

It is a pleasure to remark the energetic and systematic way in which the discovery of these Roman remains has been followed up. The work of cleaning, restoring, illustrating, and publishing the results has been carried out in keeping with the exceptional extent and importance of the cemeteries.

The urns and furniture recovered from about 150 graves number about 500. There are numerous objects in bronze, iron, lead, and glass associated with the pottery ; and the provision of a special and very appropriate museum, the old Maison-Dieu, in the immediate vicinity of the cemeteries, was a happy inspiration.

From an archaeological point of view the collection is most useful in giving a very complete series of standardized shapes and types of vessels in use during the period. It illustrates the social condition, habits, customs, and modes of burial of the population then inhabiting the north coast of Kent, as well as their language, numbers, and industries.

There was evidently safe transit by road, river, and cross-channel shipping between the Continent and Britain in that time of peace and plenty known as the Antonine period (A.D. 140-190), and the middle-class population was able and willing to consign valuables to the tomb along with the urn containing the cremated remains of their dead, a process by no means inexpensive.

Pottery specimens include bowls, cups, flagons, amphorae for importing oil and wine from Italy, Spain, Southern, Central, and Eastern Gaul, and most abundantly from the opposite Belgic coast and the lower Rhine. Only two casual fragments of figured Samian ware were recovered, viz. :

(1) Form 37, panel decoration with bead-row demarcation. Two-ringed ovolo with long tongue. (a) Lion to r., very like Déch. 750, used on Form 37 by CARANTINVS and DOCCIVS,

6 REPORTS OF THE SOCIETY OF ANTIQUARIES

within festoon. (b) Below, ? fragment of leaf, as Déch. 1167. (c) Satyr with basket on head, Déch. 369. (d) Stalk ornament, Déch. 1115. Period—*Hadrian-Antonine*: origin—*Lezoux*.

(2) Form 37, heavy lip and wide plain frieze: thick big ovolo. Part of eagle with spread wings and head to r., Déch. 981 (on Form 37 at Roanne): above the l. wing an unidentifiable object has been put in from *horror vacui*. Period—*Antonine*: origin—*Lezoux*.

Iron-, glass-, and pottery-working were carried on nearer home.

A local population willing to provide red-glazed Sigillata (Samian) bowls and cups imported from different parts of Europe and so highly valued as to be marked with the owner's name, must have been in fairly comfortable circumstances; whereas the nigra patella, or black-varnished platter, was the usual accompaniment of bondsmen or slaves. The rite of cremation practised in the great majority of the graves destroys every inflammable article such as wood, leather, or drapery employed to cover or decorate the deceased, so that we cannot know to what extent it was provided. But a flagon, flask or olla, and drinking cup or beaker and a plate or platter for food and drink were usually provided for the use of the departed.

By careful isolation of the groups as they were found, and by preserving and recording them together, it has been possible to date them with greater certainty than usual. Each group usually includes a coin, a Samian cup or bowl with potter's stamp, or other item, by which its origin and period of manufacture can be fixed within a few decades. With such a record and standard of reference always available, the Maison-Dieu at Ospringe will soon become a place of pilgrimage for future excavators and students of Roman history.



Stamp on Samian bowl.
Form 46/435. (2)

SAMIAN WARE

POTTERS' MARKS

- ALBI MA. Form 31. Group (J.M.), 601.
O. & P., p. 78, ALBVS FE, ALBI, La Grauf., A.D. 41-80.
Wroxeter Report, ii, p. 32, No. 135, ALBI.MA, A.D. 80-110.
C.I.L. xiii, 10010, 86, ALBI M. May, *Silchester*, p. 202,
ALBVS.F bowl 31, probably a later potter than that cited
above. Geissner (1904) 1, nos. 36-42 ALBVS.FE. *C.I.L.*
viii, 1336, 48 at York, probably of a later date.
- ALBI M. Fragment of form 33. Group (J.U.), 613 a.
- ALAVCI MA. Form 33. Group (D.P.), 393.
May, *Silchester*, p. 201, ALAVCI MA. *Wroxeter*, i, p. 47, no. 6.
C.I.L. xiii, 10010, 75. a b2 c-e. ALAVCI M.
- ALBVCIANI. Form 31. Group (B.S.), 312.
May, *Silchester*, p. 202; Pan-Rock, A.D. 150-190. O. & P.,
p. 205, Lezoux on form 32, late form. *C.I.L.* xiii, 10010, 84.
- ARICI MA. Form 33. Group (A.U.), 269.
May, *Silchester*, p. 203, Lezoux. *C.I.L.* xiii, 10010, 169, b
ARICI MA.
- AT.TROF. Form 31. Group (G.P.), 507.
O. & P., p. 186, ATER form 40.
- ATRVCIANI. Form 31. Group (E.P.), 423 (? ALBVCIANI).
May, *Silchester*, p. 204, ATRVCIA; Pan-Rock, ATRVCIANI,
A.D. 150-90. Lezoux.
- BELINICCI. Form 79. Group CXVII (D.O.), 391.
BELINICCVS of Lezoux: Antonine period. *C.I.L.* xiii, 3, i,
10010, 281. O. & P., p. 61. Curle, *Newstead*, p. 232, 12-13.
- CAR(AT)ILI.F. Form 18/31. Group (C.T.), 360.
May, *Silchester*, p. 210, CARATILI M; Pan-Rock, A.D. 150-190.
Lezoux. *C.I.L.* xiii, 10010, 453 CARATILI.
- CATVLI M. Form 38. Group LXV, 224.
C.I.L. xiii, 10010, 499, CATVLI M.
- CELSIANI F. Form 79. Group XXVIII, 95.
May, *Silchester*, p. 212, CELSIANI M., A.D. 150-190. *C.I.L.*
xiii, 10010, 520, CELSIANI F. *C.I.L.* vii, 1336, 278.

8 REPORTS OF THE SOCIETY OF ANTIQUARIES

DESTER F. Form 31. Group (C.R.), 353 a.

This stamp may be a variation of the impression of DEXTER, a Trèves potter, who was active in the late 2nd and early 3rd centuries (O. & P., p. 64). His ware has been found at Niederbieber, A.D. 190-260, and other Rhine sites, *id.*, p. 112. The stamp DESTER F occurs on a form 31 at Silchester (May, p. 219, A.D. 133-200) and at Chesterford.

DIVICI . M. Form 33. Group (J.M.), 602.

Wroxeter Report, ii, p. 34, no. 170, DIVICIM, before A.D. 150. *C.I.L.* xiii, 10010, 789 DIVICI . M.

DOVIICVS (circular stamp round 6-petalled rosette). Puddingpan Rock type 7 (variant of forms 46 and Curle 15). Group CXXXV (E.Y.), 435.

DOVECCVS of Lezoux, c. 130-160 A.D. : on his identity, with reference to the monogram DD which he also used, see Pryce in Wheeler, *Roman Fort near Brecon*, pp. 193-201. *Archaeologia* lxxviii, p. 177. *C.I.L.* xiii, 3, i, 10010, 814. Déchelette, i, pp. 269-71.

GEN(IT)O . RF. Form 31. Grave (A.L.), 253.

May, *Silchester*, p. 224, GENITOR F, coned base. A.D. 150-200. *C.I.L.* xiii, 10010, 960. *C.I.L.* vii, 1336, 485.

GRA(AE)VS F. Form 31. Group (F.P.), 457 (? GRA(TV)S . F.)
C.I.L. xiii, 10010, GRAECVS . F, 975, b.g.

. ILLIXO . Form 18/31. Odd pot, 647.

O. & P., p. 115, Lezoux, Trajan-Antonine. *C.I.L.* xiii, 10010, 1022 i, m.

IVLLVS F. Form 18/31. Odd pot, 645.

O. & P., p. 116, La Grauf., A.D. 69-96. *C.I.L.* xiii, 10010, 1085.

LVPI . M. Form 31. Group (C.N.), 349.

May, *Silchester*, p. 230, A.D. 160-180. O. & P., p. 29, A.D. 160-200, Rheinzabern. *C.I.L.* xiii, 10010, 1181 p. LVPI . M. To be distinguished from LVPVS of South Gaul.

MACCALI . M. Form 31. Group (J.J.) LIX, 205.

May, *Silchester*, p. 230; Pan-Rock, A.D. 150-190, probably Lezoux potter. O. & P., p. 214, Pan-Rock. *C.I.L.* xiii, 10010, 1195 a-c. MACCALI . M.

MACCALI . M. Form 31. Group (H.R.), 557.

MASCILI . F. See p. 13.

- MACIO M.** Form 33. Group (B.M.), 301.
O. & P., p. 37, **MAGIO F**, Rheinzabern, Corbridge, Carlisle, chiefly Antonine. *C.I.L.* xiii, 10010, 1224 **MACIO F**, **MACIO=MACIONI**.
- MARCI M.** Form 80. Group (H.G.), 539.
May, *Silchester*, p. 234, **MARCI M**; Pan-Rock, A.D. 150-190. Lezoux potter. *C.I.L.* xiii, 10010, 1270 **MARCI M**.
- NATALIS.** Form 31. Group XLVII, 167.
O. & P., p. 183, pl. XLVI, 16, form 31, *Niederbieber*, pl. I, 1a, Rheinzabern, A.D. 190-260. *C.I.L.* xiii, 10010, 1413. To be distinguished from the earlier **NATALIS** of South Gaul.
- NVMIDI MA.** Form 31. Group (J.Y.), 623.
O. & P., p. 214, **IVL]NVMIDI**; **N]VMIDI** at *Wroxeter*, iii, p. 48, Walters, *Cat. M.* 1984, 2141.
- NAMIL CROESI.** Form 33. Group XXXV, 117.
May, *Silchester*, p. 241, Lezoux. O. & P., p. 119, **NAMLVS ET CROESVS**, mould Lezoux. *C.I.L.* xiii, 10010, 1404 c. 2. **NAMIL. CROESI**.
- NAMIL CROESI.** Form 33. On an unassociated pot, 650.
- ONNIO(R).** Form 31. Group (F.B.), 439.
C.I.L. xiii, 10010, 1464, **ONNIOR(IX)** = name of a god **OVNIORICIS**.
- PAT(E)R/XX** = *Pat[e]r(ni) ma(nu)*. Form 31 (Ludowici type Sb.) Group CLVI (G.M.), 498 a.
Not the Lezoux potter, but **PATERNVS** of Rheinzabern: Antonine period. His commonest stamps are variants of **PATERNVSFE**: *C.I.L.* xiii, 3, 1, 10010, 1508; *C.I.L.* vii, 1336, 799 804, esp. 803; also *B.M. Cat. M* 1677 (Roach Smith Colln.), stamped **PATIRNVSFII**, which has been ascribed to Lezoux, but is in fact clearly by the Rheinzabern potter; however, among the large number of variants (Ludowici, *Katalog V meiner Ausgrabungen in Rheinzabern*, p. 225), **PATERN·M** is recorded by Ludowici (*Urnengräber römischer Töpfer in Rheinzabern*, p. 49, 1877), and provides the closest parallel to this stamp, on dish type Sb of regular Rheinzabern ware. For the graffito, see p. 68 and pl. LIV.
- PAVLI M.** Form 31. Group (A.J.), 252.
May, *Silchester*, p. 247, A.D. 150-200. There were two potters of this name. *Wroxeter*, i, p. 57, no. 88, Lezoux. On 79, Pan-Rock, A.D. 150-190. O. & P., p. 120, Lezoux, A.D. 140-

10 REPORTS OF THE SOCIETY OF ANTIQUARIES

- 190, PAVLI. *C.I.L.* xiii, 10010, 1520, PAVLI M often. The earlier potter or potters worked in South Gaul—period Claudius to Domitian.
- PECVLARIS. Form 33. Group (A.F.), 241.
 May, *Silchester*, p. 246, A.D. 117–190. Curle, *Newstead*, p. 238, probably A.D. 138–192. O. & P., p. 95, Lezoux and East Gaul, Hadrian–Antonine. *C.I.L.* xiii, 10010, 1521, PECVLARIS. *C.I.L.* vii, 1336, 822–4.
- PRA(TERITI). Form 31. Group (J.G.), 591.
- PRIMANI. Form 31. Group (G.W.), 523.
 May, *Silchester*, p. 249, Pan-Rock, A.D. 150–190. *C.I.L.* xiii, 10010, 15601; *C.I.L.* vii, 1336, 847.
- PRIMVLI. Form 31. Group XXXVII, 126.
 O. & P., p. 17, PRIMVLVS, A.D. 75–110. *C.I.L.* xiii, 10010, 1568, PRIMVLI.
- QVINTI M. Form 31. Group (G.J.), 495.
 QVINTVS F at Niederbieber belongs to another potter. Curle, *Newstead*, p. 238, 2nd cent. A.D. 117–190. O. & P., p. 63, Lezoux and East Gaul, Pan-Rock, A.D. 150–190. *C.I.L.* xiii, 10010, 1607, QVINTI M. An earlier potter of the same name worked at La Graufesenque.
- QVINTI M. Form 31. Group (J.C.), 575.
- QVINTI M. Form 31. Group (B.L.), 297.
- RVF. Form 33. Group (J.E.), 581. (?IVC).
 Curle, *Newstead*, p. 240, OF RVF, A.D. 80–110. O. & P., p. 85, La Grauf. and Montans, OF RVF, A.D. 59–96. *C.I.L.* xiii, 10010, 1662, kks⁶ RVF RVFVS FE.
- SATTO M. Form 31. Group (A.F.), 240.
 May, *Silchester*, p. 256. This stamp occurs at La Grauf., Trèves, Rheinzabern, A.D. 117–138. O. & P., p. 85, East Gaul, Domitian–Hadrian. *C.I.L.* xiii, 10010, 1734, SATTOF.
- SATVRNINIÖF. Form 33 (Pan-Rock type 12). Group CLXI (G.T.), 515.
 SATVRNINVS of Lezoux: Antonine period; not the earlier E. Gaulish potter (O. & P., p. 25; Déchelette, i, p. 298). For his stamp in this form see *Arch. Journal*, ii, p. 199 (Eatington Park, Warwick): other variants, *C.I.L.* xiii, 3, 1, 10010, 1736; *C.I.L.* vii, 1336, 990–2: and from Pan-Rock, *Proc. Soc. Ant.* xxi, p. 287; xxii, p. 403.

12 REPORTS OF THE SOCIETY OF ANTIQUARIES

- SECVNDINVS F. Form 31. Group (J.L.), 595.
 May, *Silchester*, p. 258, A.D. 161-180. O. & P., p. 123,
 Rheinzabern, Westerdorff, Hadrian-Antoine. *C.I.L.* xiii,
 10010, 1763, SIICVNDINVS F, often.
- SIICVNDINI M. Form 33. Group (B.T.), 316.
 O. & P., p. 123, Lezoux, A.D. 98-137. *C.I.L.* xiii, 10010,
 1763.
- S(ECVN)DI. Form 33. Group (J.F.), 588.
 O. & P., p. 123, Lezoux, A.D. 98-137. *C.I.L.* xiii, 10010,
 1764, SECVNDVS. To be distinguished from the South
 Gaulish potter.
- SENATOR. Form 79. Group (G.A.), 480.
 Not previously recorded.
- TAVRICV F. Form 33. Group (K.B.), 628.
 May, *Silchester*, p. 263, Rheinzabern potter. *Wroxeter Report*,
 i, p. 62, no. 121, TAVRICV F. *C.I.L.* xiii, 10010, 1894,
 TAVRICI F.
- TAVRI M. Form 33. Grave (C.B.), 333.
 In Tabula Ansata. *C.I.L.* xiii, 10010, 1896, TAVRI . M.
- TIBERI. Form 18/31.
 May, *Silchester*, p. 264, probably Lezoux. *Wroxeter Report*,
 iii, p. 50, TIBERI . M No. 261, form 27. *C.I.L.* xiii, 10010,
 1909 a. & c. TIBERI . M.
- T. TVRONIS OF. Form 38. Group (C.P.), 350.
 May, *Silchester*, p. 264, A.D. 150-200. This stamp occurs on
 form 80 of Pan-Rock series. O. & P., p. 214, Lezoux, form
 38, A.D. 150-190. *C.I.L.* xiii, 10010, 1916 d., TI TVRONVS OF.
- VIIRINVS. Form 31. Group (T.), LIII, 186.
 O. & P., p. 194, Rheinzabern, 2nd cent., form 36. *C.I.L.*
 xiii, 10010, 2012 d2, VIIRINVS.
- OF VITA. Form 15. From Syndale Park, 682.
Wroxeter Report, i, p. 63, no. 132, OF VITA/. O. & P., p. 86,
 La Grauf., c. A.D. 60-90. *C.I.L.* xiii, 10010, 2062, OF VITA.
- Rosette Stamp*. Form 46. Group (E.I), 417.
 May, *Silchester*, pl. lxxx1, no. 19. *Wroxeter Report*, i, p. 64,
 fig. 15, No. 2. Probably belongs to the Rheinzabern Pottery.
- Wheel of Seven Spokes in an Incised Circle*. Form 32. Group
 (A.M.), 258.
 Oelmann, *Niederbieber*, p. 21, pl. 1, type 5a, A.D. 190-260.

Straight Billet. Form 31. Group (G.Q.), 509.

Oelmann, *Niederbieber*, p. 17, A.D. 190-260, pl. ix. 85, referred to Ludowici ii, p. 288, MI b, MI, MI c.

A Straight Billet within an Incised Ring. Form 31, orange red.

Group (E.W.), 428.

Oelmann, *Niederbieber*, p. 17, A.D. 190-260, pl. ix, 84.

A Straight Billet. Form 31. Grave (G.R.), 510.

Oelmann, *Niederbieber*, p. 17, A.D. 190-260, pl. ix.

MASCILI F. *Imitation of form 33.* Group (G.), XL, 139.

Warm yellowish buff clay.



IIIVN·MELISSII.

TMELISSSI. Potter's stamp on the handle of an Amphora.

May, *Silchester*, p. 280, L·IVNI·M ELISSI·L. This may be stamp of IVNVS MELISSVS and son or some other members of his family in partnership. *Wroxeter Report*, i, p. 65, no. 7, fig. 16. Haverfield, *Arch. Ael.*, 3 Ser. viii, p. 195, no. 3, found at Corbridge. *C. I. L.* xiii, 10010, 296, LIVNI·M ELIS·I on one side, and FECIT (SCIM)NIANO on the other.

NOTE RESPECTING THE POTTERS' STAMPS

Mr. May carefully rubbed or traced all these, and they are reproduced full size on p. 11. He also compiled the alphabetical list with references to similar Potter's Marks found elsewhere.

NOTE RESPECTING OWNERS' SCRATCH MARKS

All definite marks of this nature pointed out by Mr. May during his examination of the pots have been carefully traced so far as possible, and are reproduced on pl. LII to half full size.

DESCRIPTION OF GRAVES

in continuation of *Archaeologia Cantiana*, xxxviii, 149

NOTE.—The first paragraph of the following groups comprises the notes made by Col. Hawley when and as the pottery groups or graves were met with and examined. To save repetition, his notes have been slightly abridged; when the pots had been emptied, cleaned, and repaired they were numbered and the drawing in sectional-outline and its description written or drawn by or under the superintendence of Mr. May. For nearly a month he had no less than four draughtsmen and a typist assisting him. Many of the larger pots had smaller ones inside them, and other factors explaining the discrepancies between the original notes and those of the pottery expert made six months later will be found in the introduction.

GROUP LXVII (A.B.)

4-2-1925. Depth 2 ft. 0 in.

Dark-grey pot or olla, fragmentary owing to nearness to surface. Amongst the debris was a fragment of a Samian cup, also part of a dark-grey vessel of rather similar shape, and pieces of what might have been a dark-grey bottle.

228. OLLA, recurved rim and shallow cordon at root of neck, of hard sandy grey-brown to reddish clay mottled by scorching.
229. FLAGON, 'stopper-mouthed' with neck-ring, two ribbed handles and wheel-turned and grooved base, of smooth reddish clay (handle distorted).
230. CUP, Samian 33 Drag., with traces of glaze, much eroded by lying in clay (without stamp). Owner's mark scratched below middle groove.

GROUP LXVIII (A.C.)

4-2-1925. Depth 2 ft. 9 in.

A dark-grey pot of olla form in fragments. On the south-west side of it a Samian bowl; on the north-east a coarse red-ware bottle. The Samian bowl was inverted against the side of the big pot.

231. Ovoid URN, with oval lip, outbent rim, and short cordoned neck. Hard brittle sandy fumed grey clay.

232. One-handed FLAGON, with plain saucer mouth. Bright red clay.
233. Bulbous BEAKER, with pentice moulding at base of neck and small rising base, the strongly incurved support being nearly a pedestal. Pale brown clay with black varnish, worn in parts.
234. PLATE, Samian 36 Drag., decorated with long spiked leaves on curved stalks on top of rim. Rheinzabern fabric, late 2nd cent. Glaze partly eroded.

GROUP LXIX (A.E.)

4-2-1925. Depth 3 ft. 10 in.

Amongst fragments of amphora were those of a dark-grey pot (or olla). Amongst the combined fragments was a small dark ware pot (or beaker) 4 in. high; also a dark-ware dish. Some calcined bones at the bottom of the ruined mass, either out of the amphora or from the dark olla which had been placed inside.

235. Bulbous BEAKER, with oblique rim and foot. Faintly roulette-notched cordons round the bulge. Dull hard red to buff smoked clay.
236. PLATE, straight-sided with out-bulged base. Owner's mark scratched in the centre X inside base.

GROUP LXX (A.F.)

4-2-1925. Depth 3 ft. 2 in.

An Amphora much ruined owing to nearness to surface. On the east side of the debris, a small Samian bowl and a Samian bottle jug. These stood within the remains of the Amphora. Also a small dark pot (beaker) under the remains. All the vessels had probably once been contained within the Amphora.

237. Pear-shaped OLLA, lower portion only, fumed sandy grey clay.
238. One-handed FLAGON, with conical disc mouth, raised shoulder, baggy body on a rising base. Coarse red clay with remains of cream-coloured slip coating.
239. BEAKER, wide-bulged, of Belgic origin, with funnel mouth (straight and obliquely set). Fumed smooth pale grey clay.
R.-B. Guide, p. 114, pl. XII, 8, A.D. 110-150.

16 REPORTS OF THE SOCIETY OF ANTIQUARIES

240. BOWL, Samian form 31 Drag., with central stamp of potter SATTOM, of La Graufesenque, Trèves, Rheinzabern, A.D. 110-150.
241. CUP, Samian form 33 Drag., with central stamp PECVLIARIS F.
Silchester, p. 247, A.D. 117-190. *C.I.L.* xiii, 10010, 1521 ; vii, 1336, 822. *Had.-Ant.*, A.D. 117-190.

GROUP LXXI (A.G.)

4-2-1925. Depth 2 ft. 1 in.

A coarse red-ware bottle (broken). At the same depth close by there were fragments of an Amphora amongst which were fragments of a dark-ware bottle. They might have belonged to two groups but are more likely to have come from the Amphora.

242. Saucer-mouthed FLAGON, with four rings and two-ribbed handle. Clay well washed bright brown red. Base and part of side broken away. c. A.D. 150.
243. FLASK, with outcurved beaded rim, narrow neck, globular bulge and incurved support on a plain foot and slightly rising base. c. A.D. 300.
244. PLATTER, coarse clay with slightly curved nearly upright side, with remains of a drab slip coating nearly all eroded by clay.

GROUP LXXII (A.H.)

4-2-1925. Depth 2 ft. 1 in.

A dark-grey pot or olla, fairly large, ruined owing to nearness to surface. There were also remains of a Samian vessel, probably a small pot.

245. OLLA, with recurved rim, under-cut lip, plain foot, and slightly rising base. Fumed grey clay with darker surface.
246. FLASK or FLAGON, lower part only. Smooth bright red clay, paler inside.

GROUP LXXIII (A.I.)

4-2-1925. Depth 2 ft. 8 in.

A medium-sized dark-grey pot or olla, half of which only remained. On the west side of it there was a coarse red-ware jug ; on the south side a small black pot (beaker), all of them close to the large pot.

The dark-grey pots or ollae occur of three sizes—large, medium, and small, and all hold cremated bones; in the large size small pots are found much in the same way as they occur in the amphorae, occasionally a small vessel is found in those of medium size.

247. OLLA, in fragments, with out-bent lip, curved rim with cordon at the base, and conical support.
248. Saucer-mouthed FLAGON, four rings, ovoid body, handle slightly grooved, raised foot plain. Pale red clay well smoothed.
249. BEAKER, small plump olla-shaped, with oblique rim. Hard smooth pale grey clay.

GROUP LXXIV (A.J.)

4-2-1925. Depth 2 ft. 0 in.

A dark-grey pot or olla similar to that in the last group. Owing to proximity to the surface it was much ruined, as were the small vessels close to it. On the north-west side there were remains of a Samian bowl or dish. On the north-east side were fragments of a small dark pot or beaker.

OLLA, in fragments, hard sandy fumed grey clay, badly scorched.

250. FLAGON, globular, neck and handle wanting. Thin fabric fumed to light grey inside and scorched to brownish outside.
251. Poppy-head BEAKER, with cordon at the root of rim. Fumed grey clay.
252. BOWL, Samian form 31 Drag., with central stamp PAVLI . M of Lezoux or Rheinzabern. A.D. 150-200.
Silchester, p. 247. *C.J.L.* xiii, 10010, 1520; vii, 1336, 815-18.

GRAVE (A.K.)

4-2-1925. Depth 3 ft. 2 in.

At 3 ft. 10 in. east of A.J. there was a much decayed human skull and close to it four sherds of an amphora which might have been placed over the body. The direction of the body was probably west to east, but only indicated by a stain.

GRAVE (A.L.)

4-2-1925. Depth 1 ft. 11 in.

A Samian bowl above remains of a much decayed body, and apparently placed at the feet. There were a few sherds of an amphora above the body, apparently placed over it intentionally. Feet to the east.

253. BOWL, Samian form 31 Drag., with high coned base of latest type. Glaze eroded by clay. GEN . . . OR F (GENITOR . F), middle letters uncertain.

GROUP LXXV (A.M.)

4-2-1925. Depth 1 ft. 10 in.

A large dark-grey pot in fairly good preservation, a small part of the rim missing. On the north-east side of it there was a dark-grey pot with the upper part destroyed.

254. Store vessel as URN, with under-cut rim, well-washed fumed grey clay.
255. FLASK; see nos. 55, 68, 73, 79 preceding and group (A.Z). A.D. 200-260.
256. Elongated poppy-head BEAKER, with wide everted rim and cordon, decorated with two zones of roulette hatching. Hard fumed grey clay.
257. Olla-shaped CUP, with out-bent rim and under-cut or in-folded lip, of hard fumed grey well-washed clay.
258. BOWL, saucer form 32 Drag., variety in Rheinzabern fabric, glaze matt and eroded on edge of rim. Central stamp in form of an 8-rayed star, in concentric groove. A.D. 200-260.

In this group were found also fragments of two other fumed grey beakers or ollae (probably intermixed from a closely adjoining group) and a flint core or strike-a-light.

GROUP LXXVI (A.N.)

4-2-1925. Depth 2 ft. 0 in.

A medium-sized dark-grey pot or olla much destroyed, being very near the surface. Amongst the fragments were others of a small dark pot or beaker and of a coarse red-ware vessel, probably a bottle.

259. OLLA, lower portion only, contracting conically to foot with

slight incurving, hard well-washed pale fumed grey clay, well-potted.

260. One-handed FLAGON (handle wanting), fumed light grey inside, tile-red and originally white, slip coated on much eroded surface. Mouth-piece stepped upwards, body widely bulged and slightly drooped.
261. BEAKER, round-shouldered with slightly incurved support and rising base. Fumed sandy grey clay.

GRAVE (A.O.)

4-2-1925. Depth 1 ft. 10 in.

A dark-grey ware pot or olla, only fragments remaining. Remains of no other objects visible; perhaps owing to ploughing.

262. OLLA, lower portion of wide-bulged olla on a raised contracted foot, of hard well-washed fumed grey clay.

GRAVE (A.P.)

4-2-1925. Depth 2 ft. 2 in.

A large amphora broken in a great many pieces. Amongst the debris part of a small dark pot (beaker); all ruined. Under this spot, remains of a much decayed body but no objects except a few sherds at the feet. Body was probably independent of the group above it.

Fragments of hard brittle sandy olla, baked alongside the fuel or scorched in the funeral pyre.

GRAVE (A.Q.)

4-2-1925. Depth 2 ft. 9 in.

A human skull. Near it there was an iron nail much rusted and five pieces of a dark pot. No sign of the body, which had probably decayed.

GRAVE (A.R.)

4-2-1925. Depth 2 ft. 2 in.

Fragments of a small pot dark-grey (lighter than the ollae), with an ornamented rim; below this, a two-handled pot and many sherds, perhaps of the first-named pot. These had been much disturbed by ploughing.

20 REPORTS OF THE SOCIETY OF ANTIQUARIES

263. FLAGON, cylindrical, two-handled, with disc-shaped neck-ring directly over the top of the handles, handles unequal. *Niederbieber*, p. 46, fig. 27, 2 k; fig. 28, 7 photo. A. D. 190-260.

GRAVE (A.S.)

4-2-1925. Depth 2 ft. 0 in.

At this spot there was a quantity of red soil, either from the decomposition of some badly baked vessel, or natural clay burnt red by the process of cremating a body; the latter is the more probable, because there was a great deal of wood ash around the spot. Six fragments of black pottery near.

GROUP LXXVII (A.T.)

4-2-1925. Depth 3 ft. 0 in.

A dark-grey pot or olla (perfect). On the south of it there was a dark bottle-jug, and on the south-east a small dark pot or beaker.

264. Hand-made ovoid OLLA, with small out-bent rim. Coarse unwashed clay coated with smooth pasty slime or slip, black at core, dull brown outside, evidently baked *en charge*.
265. FLASK, Belgic, decorated on shoulder with roulette hatching. Fumed grey clay, darker inside.
266. Olla-shaped BEAKER, with distinct neck and bead-lip. Fumed grey sandy clay.

GROUP LXXVIII (A.U.)

5-2-1925. Depth 3 ft. 0 in.

A large dark-grey pot or olla, broken, with fragments about it. Two pots of similar ware on the north side, one a small dark pot or beaker, the other possibly a bottle. On the west and touching the small pots, a Samian cup (perfect). A shallow Samian dish east of the large pot.

OLLA, in many fragments (rim wanting) cordon at base of neck followed by closely scored lattice lines $\frac{7}{8}$ in. deep. Fumed grey clay hard and sandy.

267. FLASK OR BOTTLE.
268. BEAKER, hard fumed grey clay.

269. CUP, Samian form 33 Drag., with central stamp, ARICIMA. *C.I.L.* vii, 1336, 90 a. Walters, *Cat. M.* 1627.
270. BOWL, wide and shallow with a weakly moulded foot-ring and grooved and raised base, decorated with a single slight groove round the middle. Smooth brownish-red clay with dark red spots.

GROUP LXXIX (A.V.)

5-2-1925. Depth 3 ft. 0 in.

A large dark-grey pot or olla, the top much crushed. On the west of it a bottle with neck missing. On the south a small dark pot or beaker (perfect).

271. OLLA, coarse sandy clay, poor ware.
272. Ovoid FLAGON, on a beaded foot and grooved and rising base. A slight step or off-set at the base of neck to represent a cordon. Two zones of roulette hatching faintly impressed on the bulge. Fumed grey clay.
273. Poppy-head BEAKER, Belgic, with cordon at the base of a wide oblique rim. Fumed grey clay.

GRAVE (A.W.)

5-2-1925. Depth 2 ft. 10 in.

A dark-grey pot or olla of medium size, much broken. No signs of other vessels at this spot.

GROUP LXXX (A.X.)

5-2-1925. Depth 2 ft. 6 in.

A rather large dark-grey pot or olla. On the south of it, a Samian cup, and close on its left a small dark pot or beaker. There were fragments of a medium pot near this group but apparently not belonging to it, although some pieces of it mingled.

274. OLLA, coarse, neck and part of base wanting, stunted ovoid, of fumed grey clay with mottled surface, black varnished originally and burnt reddish in parts.
275. Elongated carinated BEAKER, with outstep at base of neck, overlap in middle of body, and high slightly incurved support. Owner's marks, a cross on neck and under base,

22 REPORTS OF THE SOCIETY OF ANTIQUARIES

which is slightly hollow, and three incised lines across the everted lip. Latest development of an early Belgic type, with pentice moulding.

276. CUP, Samian form 33 Drag. (foot-ring wanting, and edges ground away), the glaze almost all eroded by clay. A.D. 200-260.

GROUP LXXXI (A.Y.)

5-2-1925. Depth 2 ft. to 2 ft. 9 in.

A large dark-grey pot or olla of which the lower part only escaped destruction (near the surface). On the south-west, remains of a red-ware vessel, probably a bottle. On the south-east, a Samian bowl. Two feet north of this spot there were two fragments of a large dark olla.

A large coarse grey OLLA very sandy, rim entirely wanting. Fragments only.

277. FLASK or FLAGON, base only, globular bulge on a grooved and rising base. Fumed grey inside, bright red outside. BEAKER, fragments only, very thin ware of fumed grey clay, rim wanting.
278. BOWL, part of Samian bowl, form 38 Drag., unstamped.

GROUP LXXXII (A.Z.)

5-2-1925. Depth 2 ft. 9 in.

A medium dark-grey pot or olla. On the north, a small dark pot or beaker. On the west, a Samian bowl (broken). On the south, a small black beaker.

279. Ovoid OLLA, with widely out-bulged body, recurved beaded rim, and rising base, a shallow groove at the base of the neck. Late 2nd cent. Fumed grey clay, thin and well potted, found with Samian cup of about A.D. 200.
280. FLASK, globular with two shallow cordons at the base of neck, the upper part wanting, a lightly impressed zone of roulette lines on shoulder, and grooved and rising base. Hard fumed grey, with darker surface. A.D. 200-260.
281. Olla-shaped BEAKER, with cavetto rim (2nd cent. type). Hard fumed grey, reddish at core. Faintly scored lines vertical.
282. CUP, Samian form 33 Drag., with side widely expanded (a late example), part of side wanting. A.D. 200-260.

GROUP LXXXIII (A.Z a.)

5-2-1925. Depth 2 ft. 6 in.

A dark-grey pot or olla, only the lower third remaining unbroken. On the north-east, a coarse red-ware bottle and Samian dish. On the south, a small dark pot (beaker), and near it (4 inches) remains of another, broken.

Although near together, this and the previous group were distinct.

Fragments of a coarse sandy olla, badly scorched.

283. One-handed FLAGON, with long narrow tapering neck, 5-ringed funnel mouth, ribbed handle, on a beaded foot and rising grooved base, a vent hole at the base of the neck. Bright red clay (Boughton ?).¹
284. Poppy-head BEAKER, with cordon at base of neck, found with Samian form 31. c. A. D. 200.
285. BOWL, Samian form 31, central stamp illegible. c. A. D. 200.

GRAVE (B.A.)

6-2-1925. Depth 2 ft. 7 in.

A large amphora of the usual coarse reddish ware, much broken, only fragments remaining, the upper part being 18 inches below surface. Amongst the fragments a broken bottle neck and the rim. A few fragments dispersed among the contents, and pieces of thin glass, which might not have belonged to it. A small quantity of burnt bones at the bottom of the fragments.

GRAVE (B.C.)

6-2-1925. Depth 3 ft. 4 in.

Some much decayed human remains consisting of part of a skull, and a few bones dispersed towards the east. No indication of remainder, owing to total decay.

¹ BOUGHTON-UNDER-BLEAN.—When describing this pottery, Mr. May was informed that there were tile and pottery works still in working order in this village, 4 miles east of Ospringe, adjoining the Watling Street. He immediately appeared to come to the conclusion that the Romans possibly worked in the same neighbourhood, and that what he considered red-ware local fabric might have been made in that district, which is at present on the edge of the Blean Woods, no doubt in Roman times a big forest.

GROUP LXXXIV (B.D.)

6-2-1925. Depth 2 ft. 3 in.

A dark-grey pot or olla of medium size. Eight inches north-west, part of a bronze brooch. Two inches from the pot, remains of a much corroded bronze armlet of plain wire. No small vessels, but some sherds, including the bases of a grey ware flask or bottle, a red-ware bottle, and parts of a Samian bowl.

286. Ovoid OLLA, with bead rim and slightly raised band bordered by shallow grooves at base of neck. Light-grey hard fumed clay. With two bangles and brooch with closed foot-plate. 1st cent.

GROUP LXXXV (B.E.)

6-2-1925. Depth 2 ft. 3 in.

A large dark-grey pot or olla. On the south-west, a dark-grey ware bottle. They stood upon a level piece of partly burnt clay 14 inches wide, the surface of which was coated with calcined bone fragments. The pot was much broken, probably a good deal missing. About 20 inches north-east and about a foot deeper in level, there were small portions of a badly decayed body. It had nothing to do with the pot first discovered.

287. Narrow-necked VASE, with globular bulge contracting to a plain foot, slightly rising base, outcurved rim slightly under-cut, a shallow cordon at the base of the neck. Hard pale-grey fumed clay. c. A.D. 200.
288. Stopper-mouthed FLAGON, with neck-ring, shallow corrugation at the base of neck (imitation cordon), incurved below to a plain foot and slightly rising base. Inside fumed pale grey, outside eroded and shaded to light brown in parts of surface. Portion of the side broken and restored.

GRAVE (B.F.)

6-2-1925. Depth 3 ft. 0 in.

A small brown pot, probably a beaker, with tapering body to base, laid on its side with no other object near it.

289. Bulbous BEAKER, with long neck, pentic moulting at junction of neck and bulge, and strongly incurved support almost a pedestal. Brownish clay with traces of red slip which has been melted and run down by heat. Ornamented with roulette hatching.

GRAVE (B.G.)

6-2-1925. Depth 5 ft. 6 in.

Human body with feet towards the south-west. Between the femurs, as if placed on the lap, a small pot (broken), probably a beaker. A similar pot was close outside the left knee. On left of pelvis, where hand rested, an armilla of twisted small bronze wire, and three inches from it remains of a finger-ring, both much corroded. Arms seemed to be crossed over abdomen. At the feet, a Samian bowl and some dotted rust stains, probably from boot nails.

GRAVE (B.H.)

6-2-1925. Depth 5 ft. 0 in.

Two medium dark-grey pots or ollae side by side and entirely in fragments. No appearance of any other vessel.

GROUP LXXXVI (B.I.)

6-2-1925. Depth 3 ft. 4 in.

A dark-grey pot (olla), and close to it on the north a dark-grey bottle rather longer than usual. On the south-east, a small black pot or beaker, and over it a Samian bowl. On the south side of the pot, a green stain in the soil caused by some small object almost perished.

290. URN, a large narrow-necked well-outbulged vase, with undercut widely outcurved rim, two shallow cordons at base of neck, and support gracefully incurved to a raised foot and grooved base, decorated with a zone of roulette hatching on the shoulder. Hard thin light well-potted fumed grey clay. Earlier group *c.* A.D. 100-150.
291. FLASK OR BOTTLE, Belgic, with ovoid body widely outbent, under-cut rim, narrow neck with cordon at base, support incurving gracefully to a beaded foot, and grooved rising base. Hard pale-grey fumed smooth clay.
292. CUP, Samian form 33 Drag., with faint grooves on inside lip and half-way down outside, a small circle in place of potter's stamp. Glaze almost intact. The owner's mark outside below lip, L I B.
293. Poppy-head BEAKER (rim wanting) with cordon at the base of rim, ovoid body, beaded foot, and grooved slightly rising base. Hard fumed grey clay reddish at core.

GRAVE (B.J.)

10-2-1925. Depth 3 ft. 4 in.

A body buried feet towards the east and decayed except for a small portion of skull and leg bones. No objects with the body, but sherds of an amphora above it which had probably been placed intentionally as a covering. A few sherds of small vessels near, but apparently not related to one another.

GRAVE (B.K.)

10-2-1925. Depth 3 ft. 0 in.

A body buried feet towards the east and decayed like the last. Many sherds of an amphora placed over the body from waist to head, and some over the feet. The clay had become hard and dark under the sherds. There was a mass of small iron nodules at the feet, evidently boot nails. A few of the larger bones only remained.

GROUP LXXXVII (B.L.)

10-2-1925. Depth 2 ft. 6 in.

A dark-grey pot or olla of medium size. On the north side a small dark pot or beaker, and on the east, touching both it and the olla, a dark-grey bottle. On the west and partly over the olla, a Samian bowl not inverted. Over the whole group, a large sherd of an amphora with part of its handle, forming a roof. Other sherds scattered around, but not belonging to the group.

294. Ovoid OLLA, lower portion only, a small piece of rim shows it to be recurved or C-shaped. Fumed grey clay, reddish at core and brittle, charged with fine sand and thin-sided.
295. FLASK, Belgic, with three cordons on the shoulder directly below the neck, ovoid body decorated with two zones of roulette hatching. Fumed grey clay with black varnish.
296. Poppy-head BEAKER, with oblique rim and cordon at its base. Fumed grey clay. Owner's mark scratched on the under base.
297. BOWL, Samian form 31 Drag., foot-ring wanting, and restored in drawing, with central stamp QVINTIM, of Lezoux. Walters, *Cat. M.* 1737-8.

GROUP LXXXVIII (B.M.)

10-2-1925. Depth 3 ft. 0 in.

A large dark-grey pot or olla crushed to fragments, among which was a small olla-shaped vessel. Many sherds around, perhaps not belonging to the group.

298. Ovoid **DOLIUM** or **STORE VESSEL**, with recurved or C-shaped rim distorted by sagging before baking. Hard fumed pale-grey clay with granulated surface.
299. **FLASK** or **FLOWER-VASE**, Belgic, with double cordon at base of neck and band of roulette notched lines on shoulder. *c.* A.D. 100-150.
300. Olla-shaped **BEAKER**, with cavetto rim and ovoid body on a rising base, decorated with groups of vertical faintly scored lines.
301. **CUP**, Samian form 33 Drag., with central stamp **MACIOM**, foot-ring wanting.
C.I.L. xiii, 10010, 1224, **MACIO-NI**.

GROUP LXXXIX (B.N.)

10-2-1925. Depth 2 ft. 10 in.

A rather small dark-grey pot or olla very much crushed. The group seems to have been greatly disturbed in the past. A small dark-grey dish about 8 inches above the olla and 2 feet from it; 6 inches below the olla level, sherds of a Samian vessel, the shape of which could not be seen. About 2 feet below the olla, a body buried feet to east, nearly decayed. It had probably nothing to do with the group above it.

302. Ovoid **OLLA**, with short neck, small bead lip and rising base. Pale fumed grey hard smooth clay.
303. **BEAKER**, base fragment only, with incurved support. Fumed dark-grey clay and finger-marked inside, scorched to light tile red, and eroded on surface by clay.
304. **BOWL**, with straight side obliquely outset, grooved $\frac{1}{4}$ in. below lip, of hard pale fumed grey clay, shading to dull drab on surface.

GROUP XC (B.O.)

10-2-1925. Depth 2 ft. 6 in.

A medium dark-grey pot or olla. On the west side, a small black pot or beaker. On the south, about six inches from the olla, a skull without body, but two armlets, one broken. The body may have been distinct from the pot group.

305. Narrow-necked URN, of pale fumed grey clay with burnished zones. Top of neck wanting. Found in contact with a skull which may not have belonged to the same burial. *c.* 1st cent.
306. Olla-shaped BEAKER, with bead-lip, recurved rim separated by a slight ledge from shoulder. Coarse sandy brownish clay.

GROUP XCI (B.P.)

10-2-1925. Depth 3 ft. 0 in.

A very good group, including a large round pot of red ware with grey surface. The rim and neck had been removed and the edge neatly trimmed to form a larger orifice for introducing the pots. There were three concentric rings where the neck had been removed. On the north side, a smaller dark pot rather flatter than an olla with wide mouth; between the last and the large vessel, Samian bottle. On the south, a small dark pot or beaker. The smaller wide-mouthed vessel was much crushed, but the shape preserved.

307. Large globular URN (neck wanting), two deep grooves forming cordon at the base of neck which is carefully broken off to widen opening. Bright red local (Boughton) clay. Two grooves and three wavy lines round the middle.
308. Narrow-necked Belgic OLLA, with small oblique rim, offset at base of neck (prototype of bulbous beaker), double row of circular indents, roulette-notched zones and black varnished zones to middle of bulge, fumed grey clay; *cf.* smaller example. *c.* A.D. 100-180. Found near SII CVN-DINI cup (no. 316).
309. One-handed FLAGON, with bun mouth, two girth-grooves at base of neck, beaded foot-ring and raised base, in imitation of Sigillata form.
Cf. May, *York*, p. 14, pl. v, no. 1. Bright red clay; *cf.* Grave (C.I.) for similar flagon.

310. Bulbous BEAKER, with small oblique rim and offset at junction of neck and body, once rising base. Owner's mark on middle of bulge. Fumed grey clay. Prototype of 4th cent. beakers. A.D. 100-180.

GROUP XCII (B.Q.)

10-2-1925. Depth 3 ft. 0 in.

A medium dark-grey pot or olla, the upper part much broken and the lower cracked. It stood alone, the sherds around it not being related.

311. Bowl-shaped OLLA, of early Roman type.

The sherds include centre, base, and small part of side of a red-ware vessel with white slip.

GRAVE (B.R.)

11-2-1925. Depth 1 ft. 6 in.

Remains of a dark-grey pot or olla. Owing to nearness to surface the upper part had quite disappeared, the remainder damaged by frost. No signs of other vessels which might have accompanied it beyond a few sherds of various sorts around, all much frosted.

Fragments only, of a coarse brown-black ware olla, and part of Samian bowl, stamp illegible.

GRAVE (B.S.)

11-2-1925. Depth 1 ft. 6 in.

Remains of an amphora very near the surface, damaged by cultivation and frost. Only the bottom remained. A Samian dish was found over the remaining third interior.

312. BOWL, Samian form 33 Drag., with central stamp ALBV-CIANI, Lezoux, with high coned base, and owner's mark a double cone under the base.

R.-B. Guide, p. 113, A.D. 160-180, Pan-Rock series.

GROUP XCIII (B.T.)

11-2-1925. Depth 2 ft. 2 in.

Amphora near the surface, upper part destroyed and lower part cracked. In earthy contents a small Samian cup or bowl,

30 REPORTS OF THE SOCIETY OF ANTIQUARIES

and north-east of this a dark-grey ware bottle. All rested on calcined bones in bottom third of amphora. Included in this group, but about 30 in. north-east of it, a rather small dark-grey olla. Above it a Samian dish, and east of it a dark-grey ware bottle. This group was evidently independent of the first amphora.

AMPHORA.

313. Large carinated BOWL-shaped vessel (found in amphora), with bead rim, cordon, and decorated zone on shoulder, decorated with oblique scored lines, on a rising base. A.D. 100-180.
314. Belgic FLASK or FLOWER-VASE, with under-cut bead rim, shallow-cordon at the base of neck, over-lap or angle-moulding at joining of shoulder, beaded foot and rising base. Fumed grey clay with mottled brown-black surface. A.D. 100-180.
315. FLASK or FLOWER-VASE, form 65 Déch. (Walters, *Cat.*, xliv, 65). Fumed grey clay. A.D. 100-180. Decorated with two zones of roulette hatching.
316. CUP, Samian form 33 Drag., with central stamp SII CVN-DINI M, Lezoux, Heiligenberg, Rheinzabern, Western-dorff. A.D. 100-180.
May, *Silchester*, p. 258.
317. Wide shallow PLATE, imitating form 36 Drag., in soft well-washed light-red clay, with dark-red spots. A.D. 100-180.

GROUP XCIV (B.U.)

11-2-1925. Depth 4 ft. 4 in.

A well-defined rectangular area appearing in the clay soil and about 3 feet 6 inches wide. Large iron nails occurred at intervals along the sides suggesting the use of a coffin. In the middle of the area and where the waist of a body might be expected to be there was a Samian bottle, and north-east of it a small indented pot or beaker like those from the New Forest, but of softer material. Three inches south of the Samian vessel, about half of a much corroded bronze armilla; a little to the west were two others, also another 15 inches from it and to the north-west. About 18 inches above the grave (afterwards seen to be the foot), and to the west there was a level platform with a good deal of black wood-ash on it but no calcined bones; under it the clay had been burnt. Amongst the ashes a nail about $1\frac{1}{4}$ in. long,

also spots of corroded bronze. There were thirteen large natural flints on the platform which seemed to be about 18 to 20 inches in extent but might originally have been more; also a few small potsherds. The head of the grave was at the east as shown by a much decayed skull there, so that the body must have been buried with feet towards the west. On the right side of the skull a disc of thin broken glass in many small fragments, but not corroded. Here the soil does not corrode glass, and all that has been found is in clear condition. Upon two of the small fragments there were bright mirror-like patches as if the disc had been silvered by some composition, as at the present day. The disc being so fragile must have been held in a frame of some sort, but no trace of that appeared. At the neck of the skull there were beads. The body, which had nearly disappeared, was probably that of a young girl or woman. Length of grave apparently about 6 ft. 6 in. (Cf. Group CXLV (F.W.), p. 61.)

318. Narrow-necked FLASK, Belgic type, with double cordon at the base of neck. Pear-shaped body. Fumed grey clay. A. D. 200.
319. Small one-handled FLAGON, Samian, with slightly domed plain disc mouth and two-ribbed distorted handle. Two V-shaped incisions below the lower attachment of the handle for ornament. Heavy well-glazed dark-red Rheinzabern fabric.
Cf. May, *York*, p. 14, pl. v, 1.
320. Folded bulbous BEAKER, with five indentations on the bulge, and two rows of faint roulette notches. Rhenish ware black-glazed. A. D. 200-250.
321. Folded long-necked GLASS PHIAL, with four indentations on bulge. Vesicular greenish fabric.

GROUP XCV (B.V.)

11-2-1925. Depth 2 ft. 10 in.

A very much broken dark-grey olla. Over it a broken Samian dish. On the west and at two inches from the large pot, a coarse red-ware bottle which had escaped destruction although very near the surface.

322. OLLA, with rim moulded for lid. Thin hard sandy clay.
323. Plain saucer-mouthed FLAGON, with sagging ovoid body on a raised foot and rising base. Reddish buff clay decorated with three pairs of shallow grooves on bulge.

32 REPORTS OF THE SOCIETY OF ANTIQUARIES

324. Wide shallow BOWL, imitating form 33 Drag., soft pasty fumed grey clay, coated with dull-red pasty slip. Frosted and flaky.

GROUP XCVI (B.W.)

11-2-1925. Depth 2 ft. 4 in.

A dark-ware bottle and a small black pot or beaker : below them a small dark dish, forming a group, also five large nails. The group might have rested over the feet of a body in a coffin but there was no trace of this.

325. FLASK, with neck-ring (stopper mouth), three shallow cordons at the base of the neck, and grooved and rising base. Fumed grey to brownish clay and black varnish.
326. Small poppy-head BEAKER, with oblique rim and cordon at the base of neck and side, and grooved under base. Pale fumed grey clean clay.
327. Belgic PLATTER, with oblique side and sagging base. Fumed brownish-grey clay with black varnish.

GROUP XCVII (B.X.)

11-2-1925. Depth 2 ft. 0 in.

Two dark-grey olla pots, 2 ft. apart and lying north-west and south-east. On east side of former pot a small dark-ware beaker. Midway between the pots a much corroded bronze spoon : only part of the bowl remained, the stem bent and ending in a point. Two large iron nails were lying near. All much ruined. It is unusual to find two ollae together in a group in this cemetery. In the washing an armilla was found in one of the pots.

328. COOKING-POT, hand-made prehistoric brown ware.
Fragments of a coarse sandy OLLA.
329. Belgic FLASK, with double cordon at the base of the neck. Fumed grey clay, reddish at core, black varnish almost entirely burnt off.
330. Lower portion only of a globular FLASK, fumed pale-grey hard smooth clay.
331. Base of bulbous BEAKER. Spirally twisted and grooved in potting, on a beaded foot and grooved and rising base. Pale-brown clay with dark-brown slip.

GRAVE (B.Y.)

12-2-1925. Depth 3 ft. 0 in.

Skeleton of body buried feet towards the east, in a very decayed state, arm-bone fragments and femurs alone remaining with fragments of skull. No objects associated.

GRAVE (B.Z.)

12-2-1925. Depth 3 ft. 0 in.

A body buried feet towards the east and in same decayed state as last. No objects with the body.

GRAVE (C.A.)

12-2-1925. Depth 3 ft. 2 in.

A skull only, the teeth indicating age of 12 to 14 years. The fragile bones had completely disappeared. A considerable number of unrelated fragments of pots around this spot.

332. Large coarse OLLA, prehistoric hand-made.

GRAVE (C.B.)

12-2-1925. Depth 3 ft. 4 in.

A body buried with feet to the east, quite decayed, no objects. Between this group and the next, a broken Samian cup.

333. Small Samian CUP, form 33 Drag. (part of foot-ring wanting), side widely expanding upwards (a late example). A. D. 200-260.

GRAVE (C.D.)

12-2-1925. Depth 3 ft. 7 in.

A body buried with feet to the east. Conditions similar to the last group.

GRAVE (C.E.)

12-2-1925. Depth 2 ft. 8 in.

A body buried with feet towards the east, almost completely decayed; a small part of a dark pot or beaker where the feet should have been.

GRAVE (C.F.)

12-2-1925. Depth 4 ft. 10 in.

A body buried feet to the east. Better preserved than those before mentioned. On the breast, part of a much corroded spring brooch of La Tène type.

GROUP XCVIII (C.G.)

12-2-1925. Depth 2 ft. 4 in.

A medium-size dark-grey pot or olla. On the west of it a dark-ware bottle, and on the north-west a small black pot or beaker, both in contact with the bigger pot. A bronze brooch is illustrated on pl. LVIII.

334. Ovoid wide-mouthed OLLA, with down-folded oval rim. Fumed grey sandy clay with darker coating, much scorched to red in parts.
335. Barrel-shaped FLASK, with neck-ring. Four cordons at each end of body to represent wooden hoops. Fumed grey clay with darker coating.
Cf. *Niederbieber*, p. 42, type 35, fig. 20, two with handles. A. D. 190-260.
336. Small olla-shaped CUP or BEAKER, with bead lip and distinct neck on a rising base. Fumed grey sandy clay with darker coating partly burnt off.

GROUP XCIX (C.H.)

12-2-1925. Depth 3 ft. 4 in.

A large dark-grey pot or olla. On the north of it a Samian jug, on the north-east a Caistor (?) pot or beaker with scrip scroll ornament. On the east side a glass bowl in small fragments, ornamented with a pressed oval pattern round the side. There were also beads and a long bone hair-pin found when contents of pot were washed. All objects in the group were in contact.

337. Very wide-shouldered ovoid OLLA, with unusually thick sides, short upright neck and out-bent rim. Clay soft, charged with pounded calcite or shell, and mottled brown, grey, and black outside from wood flames.
338. Part of FLAGON, three girth grooves near the small beaded foot. Smooth red clay outside, brown-grey inside.

339. Bulbous **BEAKER**, decorated in white slip barbotine with scroll ending in groups of three berries with raised centres between roulette-notched borders. A.D. 140-190.
340. Shallow **GLASS BOWL**, with oval cut facets on lower side and two girth grooves beneath (crystallinum).

GRAVE (C.I.)

12-2-1925. Depth 3 ft. 0 in.

A large amphora near the surface, much broken evidently by driving down a hop-pole, the mark of which could be seen. Fortunately the contents had escaped and in it there was a Samian jug with one handle, in fine condition.

AMPHORA as Urn.

341. One-handed **FLAGON**, with bun-shaped mouth, globular body and beaded foot on a foot-ring and raised base; a step or offset separates the neck. Handle rounded on outside. Well washed tile-red clay.
- Cf. May, *York*, p. 14, pl. v, no. 1. Samian prototype.

GROUP C (C.J.)

12-2-1925. Depth 3 ft. 0 in.

A medium-size dark-grey pot or olla. On the north-west, two small beaker pots, one of which was broken. The vessels stood upon a thin hard deposit of calcined bones and wood ash, but only a small part of a cremation.

342. Wide-bulged ovoid **OLLA**, the rim partly broken away and restored in drawing, brittle sandy brownish clay with black varnish partly burnt off at shoulder.
343. Bulbous **BEAKER**, with small everted rim, pentice moulding at base of neck, and strongly incurved support, on a stump ended foot. Fumed grey clay with much eroded black slip.
344. Small olla-shaped **CUP** or **BEAKER**, with cavetto rim, incurved below to a plain foot and rising base. Pale-grey fumed clay.

GROUP CI (C.K.)

12-2-1925. Depth 1 ft. 10 in.

A dark-grey pot or olla smaller than usual. On the north-east, a dark-ware bottle. From the pot when washed there came

36 REPORTS OF THE SOCIETY OF ANTIQUARIES

4 coins, 2 of Trajan, 1 of Faustina Junior, and 1 of Commodus, 4 armillae, and 1 finger-ring. Now in the British Museum.

345. Pear-shaped OLLA, with cavetto rim, decorated zone of black bitumen varnish, scored wavy and diagonal lines in threes. Dated by coins found therewith. A. D. 117-175.
346. Belgic FLASK (flower-vase), with double cordon at base of neck, ovoid body, rising base; imitating silver vase like Samian vase form 65 Déch. of Libertus. A. D. 117-175, dated by coins found.

GRAVE (C.L.)

12-2-1925. Depth 4 ft. 9 in.

A body buried with feet towards the east. Nearly all the bones present, but all soft from decay. Apparently carefully buried, the limbs all straightened and the arms along the side of the body. No objects with this body.

GROUP CII (C.M.)

13-2-1925. Depth 1 ft. 9 in.

A dark-grey pot or olla of medium size. On the east a coarse red-ware bottle, and beside it a dish of dark-ware inverted towards the olla but might have been over it originally. With the group were two teeth of a horse and a round flint nodule rather smooth. Unrelated sherds of vessels around the spot.

Fragments of a very coarse sandy OLLA built up in layers, also a piece of prehistoric furrowed ware.

347. Ovoid body of FLASK, a double girth-groove at junction of neck and shoulder. Brownish red smooth clay, moulded foot, raised base.
348. PLATTER with upright side bevelled at foot, flat base (much broken). Hard smooth fumed grey clay, reddish at core, black-varnished.

GROUP CIII (C.N.)

13-2-1925. Depth 2 ft. 0 in.

A dark-grey pot or olla near the surface, the upper part deficient and probably ploughed away, and the lower part crushed to fragments. On the north a dark pot or beaker, also in frag-

ments. On the east a Samian bowl or dish, both objects close to the olla.

OLLA, fragments only of a very coarse local ware, cordoned and early. Thin sandy clay.

349. BOWL, Samian form 31 Drag., with central stamp LVPI. M. C.I.L. xiii, 10010, 1181 of La Grauf. Walters, *Cat. M.* 919, 936. Owner's mark scratched under base IVI, VI above.

Fragments of a red-ware bottle.

GRAVE (C.O.)

13-2-1925. Depth 2 ft. 0 in.

Part of base of a dark-grey pot or olla, standing alone. Any accompanying small vessels would have been ploughed out. No sherds around the spot.

Hard brittle sandy clay, signs of black varnish much burnt off.

GROUP CIV (C.P.)

13-2-1925. Depth 4 ft. and 4 ft. 7 in.

A Samian dish at 4 ft. slightly broken. Under it at 4 ft. 7 in. a fragment of a Samian cup. Four inches below the latter, part of a skull of a child about 4 years, but no other bones. Probably there had been a pot-group over the body.

350. BOWL, Samian form 38 Drag. (late example), with central stamp T. TVRONIS. OF. Part of side and flange broken away.
351. CUP, Samian form 33 Drag., with side widely expanding, the usual grooves below inside lip and middle of outside, late example of the form. Part of centre broken away.

GRAVE (C.Q.)

16-2-1925. Depth 4 ft. 0 in.

Small portion of a much decayed skeleton. The body was probably buried feet to the east as indicated by the dark stain.

GROUP CV (C.R.)

16-2-1925. Depth 2 ft. 0 in.

Less than a third of an amphora, including part of bottom, protecting a dark-ware bottle, a small dark pot or beaker, and a Samian dish which had all probably been inside the amphora.

WINE AMPHORA as urn.

352. Belgic FLASK or FLOWER-VASE, form 65 Déch., with cordon at base of neck. Hard smooth grey clay; a row of roulette notches on the shoulder.
353. Poppy-head BEAKER, with oblique rim, a cordon at base. Clay fumed grey to reddish brown at the core. Surface black-varnished and partly flaked off.
- 353a. BOWL, Samian form 31 Drag., with central stamp *DESTER. F.* A. D. 133-200. Given away by owner.

GROUP CVI (C.S.)

16-2-1925. Depth 4 ft. 10 in. and 2 ft. 8 in.

A large dark-grey pot or olla. 14 in. distant on the north-east another similar pot; and in contact with the latter a dark-ware bowl, on the east side a Samian cup. At 2 ft. west-south-west of these and at a depth of 58 in. below ground level another dark olla standing alone. From the latter afterwards came an armilla of bronze.

354. Pear-shaped OLLA, with two cordons about $\frac{3}{4}$ in. apart at the base of the neck. Pale fumed grey clay.
- Wide-mouthed OLLA (base mostly wanting), thick rim, local fabric. Coarse sandy clay, poor ware. Fragments only.
- Small OLLA, much broken, with C-shaped rim. Thin brittle sandy clay. Fragments only.
355. BOWL, of S-mouthed variety with carinated bulge. Belgic type. Pale hard fumed grey clay.
356. CUP, Samian form 46 Drag., with upturned lip.
R.-B. Guide, p. 126. A. D. 160-190.

GROUP CVII (C.T.)

16-2-1925. Depth 2 ft. 8 in.

A large dark-grey pot or olla in good condition. On the west a Samian bowl; on the north-east, two dark beaker pots, the smaller one broken.

357. Urna-shaped URN, as used to cast lots, with narrow neck to admit one hand only. Hard sandy fumed grey clay, with zones of black varnish. Cordon at base of neck.
358. Poppy-head BEAKER, with cordon at base of neck. Fumed grey clay with reddish core, black varnished. A late rather tall development. Antonine, A.D. 140-190.
359. Small plump BEAKER, with cavetto rim. Thin fumed grey clay, brownish at core and flaky.
360. BOWL, Samian form 31 Drag., with central stamp CAR(AT)ILI.F. Glaze somewhat eroded. 2nd cent.

GROUP CVIII (C.U.)

16-2-1925. Depth 2 ft. and 2 ft. 7 in.

Two dark-grey pots or ollae. One in fragments to about $\frac{2}{3}$ its height from bottom and of large size. On the south-south-west and in contact, a small dark pot of olla shape covered by a base of a pot neatly trimmed round, also in contact a broken dark-ware dish. Fourteen inches west-north-west of the first olla, a second, smaller, and at the shoulder of it on the west a dark-ware bottle. Two feet to the north of the above group, a dark-grey olla standing alone, at 24 in. below ground level, upper part lost, being near the surface.

361. Ovoid OLLA, with almond-shaped down-folded rim and short neck, separated by a step or ledge. Hard fumed grey clay with remains of black varnish partly burnt off.
362. Stopper-mouthed FLASK, with neck-ring and pear-shaped body. Fumed grey clay.
363. Olla-shaped BEAKER, with cavetto rim and pear-shaped body on a rising base. A 2 in. zone of faintly scored latticed lines. Fumed grey sandy clay.
364. PLATTER or SAUCER, with straight oblique sides. Fumed grey sandy clay with darker surface partly scorched reddish on one side.

Fragments of two OLLAE.

GROUP CIX (C.V.)

16-2-1925. Depth 2 ft. 4 in.

A large dark-grey pot or olla, top and rim missing. With the fragments over it a portion of the bottom of a dark-grey pot,

which might have been put over the first as a cover; but the plough had ruined the upper portion. In contact with the first pot and on the west side, a dark-grey bottle.

365. Ovoid OLLA (rim wanting), decorated with faintly black varnished zones, scorched slightly by exposure to wood flames, originally fumed grey and reddened surface. Found with a base of a coarser olla of similar ware possibly as cover to mouth. *c.* A. D. 200.
366. Elongated FLASK, with angular rim and foot, and slightly rising base. Fumed grey clay with smooth surface. A small vent-hole on the shoulder $2\frac{1}{4}$ in. below the top indicates that the vessel was used as a 'costrel'.

GRAVE (C.W.)

16-2-1925. Depth 1 ft. 8 in.

Shattered remains of a dark-grey pot, which yielded a bronze armilla and some beads.

GRAVE (C.X.)

16-2-1925. Depth 3 ft. 0 in.

An amphora, much broken, apparently disturbed at an early date and the contents taken. It was full of yellow clay instead of the usual dark earthy matter, but at the bottom there was a little black matter containing a few bone ashes.

GROUP CX (C.Y.)

16-2-1925. Depth 2 ft. 10 in.

Two small dark pots (beakers) and fragments of a black ware dish. Probably remains of a group from which the larger pot was missing.

367. Part of a poppy-head BEAKER, with oblique rim, cordon at base of rim, incurved support and rising base. Fumed grey clay with black coating partly burnt away to red.
368. Small olla-shaped CUP or BEAKER, with cavetto rim overhanging the side, scored with vertical lines, fumed grey with black varnish.
369. Small SAUCER or PLATTER, with straight oblique sides, base partly broken away. Clay brownish with dull black coating partly eroded.

GRAVE (C.Z.)

16-2-1925. Depth 4 ft. 9 in.

The skull and shoulders of a body buried feet towards the west. The remainder came into Mr. Whiting's previous trench alongside the high road.

GRAVE (D.A.)

16-2-1925. Depth 2 ft. 5 in.

A small dark-ware bottle with a very narrow neck; on its side when found, but at one time on a hard base of partly burnt clay and calcined bones, which bore the impress of its base.

370. Belgic FLASK or bottle, unornamented, globular above, incurved to rising base. Fumed grey clay.

GRAVE (D.B.)

16-2-1925. Depth 1 ft. 6 in.

A dark-grey pot or olla standing alone, the top shorn away by the plough and the remainder much cracked. There were no sherds to mark a disturbance of a group of pots. At 2 ft. 2 in. south of the pot, a small bronze ring, larger than a finger-ring but not so large as an armilla; also one or two decayed nodules of bronze. These might have been in the pot and dispersed by the plough.

371. Lower part of a wide-bulged OLLA, with beaded foot and rising base. Fumed reddish-grey clay with black varnish much burnt away.

GROUP CXI (D.C.)

16-2-1925. Depth 1 ft. 11 in.

A small dark-grey pot or olla much broken. On the south side, a small dark pot or beaker; with these a round sherd with a hole through the centre, perhaps a spindle-whorl.

372. Bead rim OLLA, with distinct neck separated by a ledge from shoulder. Fumed grey sandy clay scorched red at one part of bulge by flame of wood fire. First century indicated by width of bulge.
373. Carinated and corrugated BEAKER, with moulded rim shoulder and foot, and two constrictions on the bulge. Fumed reddish-grey clay with dull black coating.

374. SPINDLE-WHORI, made from a fragment of coarse fumed grey clay pot with black varnish and furrowed surface.

GRAVE (D.E.)

16-2-1925. Depth 2 ft. 11 in.

A small dark-ware bottle laid on its side, without reference to anything near it : no sherds of a destroyed group.

375. Belgic FLASK or BOTTLE, with outcurved under-cut rim, double cordon at base of neck, incurved support and rising base. Pale fumed grey clay, traces of black varnish from the top of the shoulder upwards.

GROUP CXII (D.F.)

16-2-1925. Depth 2 ft. 1 in.

A dark-grey pot or olla of medium size, much broken and the upper portion shorn by the plough. On the south side, a small dark-ware beaker.

376. OLLA, coarse sandy clay with thick rim.
377. Olla-shaped BEAKER, with elongated pear-shaped body on a slightly rising base. Fumed grey clay, slightly scorched on the bulge.

GROUP CXIII (D.G.)

16-2-1925. Depth 2 ft. 9 in.

Fragments of a large dark pot with single beaded rim and rather wide mouth: used like an amphora, containing two small black-ware pots or beakers.

378. OLLA.
379. Belgic FLASK, with under-cut rim, a cordon at base of the neck, pear-shaped body on a rising base. Fumed grey clay. Form 65 Déch.
380. BEAKER, bulbous with incurved support, three rows of roulette notching round bulge. Fumed grey clay.

GRAVE (D.H.)

17-2-1925. Depth 4 ft. 0 in.

A skull belonging to a body buried towards the east; remainder quite decayed, and no bones present.

GROUP CXIV (D.I.)

17-2-1925. Depth 1 ft. 8 in.

A pot, probably a bottle with a narrow neck, no fragment of the latter present. On the north, 3 in. from it, a broken Samian dish: probably the surviving items of a group that had been ploughed out.

381. Narrow-necked FLASK (mouth wanting), with cordon at base of neck and support incurving to a plain foot and nearly flat base. Pale reddish clay with dull grey surface. Late type.
382. BOWL, imitating form 38 Drag., in heavy dull pale-red well-washed clay. c. A. D. 300.

GRAVE (D.J.)

17-2-1925. Depth 5 ft. 10 in.

A body buried with feet towards the west, laid on its back, legs straight, both arms straight to the elbows, right arm crossing the body at right angles, left arm slightly bent below it: no objects with body.

GROUP CXV (D.K.)

17-2-1925. Depth 1 ft. 8 in. to 2 ft. 6 in.

This point was taken to register a number of sherds scattered at various depths around it and covering about 4 feet. Possibly the debris of a group or groups destroyed at an early time.

383. Plump BEAKER, with thickened lip, upright neck; with shallow cordon at base, a zone of oblique faintly scored lines and girth-groove border below. Thin-walled hard fumed grey clay.
384. Straight-sided PLATE, with bevelled foot and out-bulged base. Fumed grey coarse clay.
- Sherds include bottle neck, sides of a Samian bowl form 31, and two grey ollae.

GRAVE (D.L.)

17-2-1925. Depth 1 ft. 8 in.

Remains of the lower part of a dark-grey pot or olla. On the south side, a smaller dark pot flatter than an olla, and in the mouth of it part of a Samian vessel. Both had suffered from

44 REPORTS OF THE SOCIETY OF ANTIQUARIES

nearness to surface. After washing, two armillae and some beads were found in the remains.

385. Olla-shaped BEAKER, ovoid body with recurved rim on a slightly rising base. Coarse fumed grey sandy clay.

GRAVE (D.M.)

17-2-1925. Depth 2 ft. 2 in.

A solitary dark-grey pot or olla. Owing to being near the surface the top part had quite disappeared, and the lower part broken. No sherds to show that a group had existed.

386. Thin-sided ovoid OLLA, with C-shaped rim on a rising base. Sandy hard fumed grey clay.

GROUP CXVI (D.N.)

17-2-1925. Depth 3 ft. 10 in.

Remains of a dark-grey pot or olla, with no signs of smaller vessels. A few inches below it, fragments of a thicker dark pot, also insufficient for an entire vessel. After washing, two armillae were found in the remains of the first pot.

387. COOKING-POT, hand-made native ware, apparently pre-Roman. Black-brown pasty clay.
388. Upper part of a 'poppy-head' BEAKER (base restored in drawing), with oblique rim, and cordon at the base of the neck. Fumed grey clay, darker at the core.

GROUP CXVII (D.O.)

17-2-1925. Depth 3 ft. 6 in.

A large amphora much broken and containing at 4 in. from the bottom a coarse red-ware bottle. On the south-west, a small black pot or beaker in contact with it, and south of these, also in contact, a Samian dish. A rough 'graffito' on the side of the bottle. Group now in the British Museum.

WINE AMPHORA as urn.

389. Belgic FLAGON, with moulded saucer-mouth, oblate spheroidal body, grooved and rising base, two deep grooves on the shoulder, moulded cordon at the base of neck, two-ribbed handle.
- Scratched DIVIXTV METTI IACONA, owners' names: the two first also are potters' names.

390. Poppy-head Belgic BEAKER, with oblique rim, cordoned at the base.
391. BOWL, Samian form 79 Walters, stamped BELINICCI; Pan-Rock series, A. D. 150-190.

GROUP CXVIII (D.P.)

17-2-1925. Depth 3 ft. 0 in.

Part of a Samian cup and two fragments of a Samian bowl. Several pieces of an amphora scattered round, perhaps due to previous destruction.

392. BOWL, Samian form 31 Drag., fragment of side only.
393. CUP, Samian form 33 Drag., accurately turned and well glazed, with central stamp ALAVCIMA.

GROUP CXIX (D.Q.)

17-2-1925. Depth 2 ft. 10 in.

A large dark-grey pot or olla. The upper part was shattered, some of it missing, and lower part broken. Against the shoulder of the fragment and on the south side, a Samian dish. On the west side, a dark-ware bottle. A sherd of dark ware, not belonging to any of the vessels, might have been used as a cover for the olla.

394. Narrow-necked ovoid URNA, with outcurved thickened rim, a bold cordon at the base of the neck, and rising base. Fumed grey clay, thin-sided, and mottled to reddish on the surface by exposure to wood flames.
395. Belgic FLASK, form 65 Déch., with cordon at base of neck, fumed grey clay coated with black varnish. A. D. 150-200. Walters, XLIV, 65.
396. BOWL, Samian form 46 Drag.
R.-B. Guide, p. 112, fig. 126, 7, A. D. 160-190. Owner's mark under base X.

GROUP CXX (D.R.)

17-2-1925. Depth 2 ft. 2 in.

A small dark-grey pot or olla with beaded rim, much crushed owing to nearness to surface. On the north-east, a small dark pot or beaker, also a small pseudo-Samian pot, both in contact with the olla.

46 REPORTS OF THE SOCIETY OF ANTIQUARIES

397. Ovoid wide-bulged COOKING-POT, unwashed clay coated with smooth slip. A groove on the neck shows it to be wheel-made, though uneven.
398. Bulbous BEAKER, with pentice moulding and roulette decoration on the shoulder. Buff clay.
399. CUP, with spreading rim. Hard fumed grey clay charged with fine sand and varnished black.

GROUP CXXI (D.S.)

17-2-1925. Depth 2 ft. 3 in.

A body buried with feet towards the south : on the lap a small black beaker and a dark-ware dish. The body greatly decayed and the soft matter of the bones pressed quite flat : the leg-bones had quite disappeared.

400. BEAKER.

401. Small BOWL or PLATTER, with straight oblique wall grooved outside below lip. Fumed grey clay with black stain.

GRAVE (D.T.)

18-2-1925. Depth 3 ft. 3 in.

A body buried with feet towards the east and greatly decayed, part of skull and leg-bone fragments alone remaining.

GRAVE (D.U.)

18-2-1925. Depth 4 ft. 6 in.

A body buried with feet towards the east, fragments of leg- and arm-bones alone remaining. A number of various sherds over the body.

GRAVE (D.V.)

18-2-1925. Depth 3 ft. 0 in.

A body buried feet towards the east. Arms straight to elbows, forearm crossed, and hands together. Above the body, sherds of a dark beaker.

GRAVE (D.W.)

18-2-1925. Depth 1 ft. 6 in.

Remains of the body of a child, some of the second teeth not cut and showing above the milk-teeth. Very little of the body

remained, but clearly buried with feet to the south. At the waist two bronze armillae. At the head, the bottom of a dark pot or beaker. The body was very near the surface. It is worth noting that bodies buried with feet to the south often have feminine ornaments, and in many cases are those of children, perhaps girls.

Lower part only of small thin fumed grey olla.

GRAVE (D.X.)

18-2-1925. Depth 3 ft. 4 in.

Remains of a body buried feet to the south: much decayed, only fragments of leg-bones surviving, but the direction could be seen by a dark stain. At the waist, two bronze finger-rings together, and close to them an armilla made by bending sheet-bronze over a twisted armilla, forming a half-round armilla or casing over the twisted one (see pl. LVIII). A broken dark-ware pot at the head.

GROUP CXXII (D.Y.)

18-2-1925. Depth 1 ft. 8 in.

A rather small dark-grey pot or olla. On the south-east, a dark-ware bottle, and on the north-west, a small dark pot or beaker. Two bronze armillae were found when pot was washed.

402. OLLA, with thickened cavetto rim. Fumed grey clay with black varnish partly burnt away from the side. Lightly scored with a zone of latticed lines 2 inches wide.

May, *Silchester*, p. 159, pl. LXVI, 195, A.D. 250-300.

Cf. Wheeler, *Segontium*, p. 166, fig. 78, 56, A.D. 350.

403. BEAKER, with ovoid body on a deeply incurved support, approaching a pedestal; a wide cordon with grooved borders in the middle. Hard well-washed fumed grey clay.

404. Small olla-shaped BEAKER, with cavetto rim (base broken and partly restored). Thin hard fumed pale-grey clay.

GROUP CXXIII (D.Z.)

18-2-1925. Depth 3 ft. 0 in.

A dark-ware bottle and a dark-ware dish, no signs of a larger pot. Near the pots, a jaw-bone fragment, possibly of a stag.

405. Narrow-necked FLASK, Belgic type with outbent under-cut rim, shallow grooves below neck to represent cordons, on a grooved and rising base. Fumed pale-grey clay. See

48 REPORTS OF THE SOCIETY OF ANTIQUARIES

no. 375 (D.E.), also no. 70 ; another with Samian bowl form 31, no. 457 (F.P.) stamped GRATVS. F, and another with no. 205 stamped MACCALI.

406. BOWL or PLATTER, straight side, bead rim, pale fumed grey sandy clay, much distorted.

GRAVE (E.A.)

18-2-1925. Depth 3 ft. 2 in.

An amphora, with top much broken by pressure from the surface. It contained nothing and had probably been robbed at an early date. Yellow clay took the place of the usual dark matter inside, and there was no sign of smaller vessels within. A small lump of lead at the bottom had been used as a rivet or for filling up a hole in the amphora, as the substance of the vessel was sandwiched between the turnovers on either side of the rivet.

WINE AMPHORA as urn.

GROUP CXXIV (E.B.)

18-2-1925. Depth 2 ft. 2 in.

A dark-grey pot or olla of small size. On the south-east, a small black pot or beaker. On the west, a Samian dish. On the south-west, a red-ware bottle. This group, although very near the surface, had escaped injury. Now in the British Museum.

407. OLLA, rimless, inbent bead-lip.
408. Plain saucer-mouthed ovoid FLAGON.
409. Poppy-head BEAKER, with oblique rim, cordoned at the base. Belgic type, small and late.
410. BOWL, Samian form 31 Drag., Antonine, A.D. 140-190.

GROUP CXXV (E.C.)

18-2-1925. Depth 6 ft. 2 in.

A dark-grey pot with bulbous side and rather narrow mouth and beaded rim, standing alone. Six feet north, a skull with no bones, and too much broken to give any indication of the direction of the body. Between the skull and the pot, various odd sherds and an iron nail. It is quite possible that the body was laid in the direction of the pot, which might have been placed at the feet.

Fragments of very large OLLA ; coarse black-brown pasty ware, probably native.

411. BOWL, carinated and wide-bulged, fumed grey clay with black varnish.

GRAVE (E.D.)

18-2-1925. Depth 3 ft. 5 in.

A perfect small dark-ware bottle standing alone and slightly leaning. A few calcined bones were noticed under the base, also black wood-ashes.

412. FLASK, with out-bulged shoulder and incurved support. Fumed grey to brownish clay with black varnish.

GRAVE (E.F.)

18-2-1925. Depth 2 ft. 8 in. and 3 ft. 3 in.

A dark-grey pot or olla much broken. No sign of any other vessel near it. At 2 feet south-east, a skull at 39 in. below ground level, but no sign of relation to the olla.

Portion of a large OLLA of local clay, rim wanting.

GROUP CXXVI (E.G.)

18-2-1925. Depth 2 ft. 10 in.

A broken dark-grey pot or olla. On the east, a dark-grey bottle. Below them the clay was burnt red, with a dark burnt wood-ash deposit on the clay forming a level space, probably for the burning of the body. Near it were four small fragments of fine thin pottery with chevron lines.

Not infrequently pots stand on such level places, and sometimes the charred wood-ashes have calcined bone amongst them over reddened clay, e.g. Graves (D.A.) and (E.L.).

413. Belgic FLASK, form 65 Déch., with cordon at base of neck, a zone of roulette ornament on shoulder, and slight girth-grooves near the foot. Hard fumed grey clay with black varnish, brownish below and black inside. A.D. 150-200.

Fragment of thin-sided BEAKER of brownish hard clay with triple zigzag lines.

Fragments of several early OLLAE with cordons and prodded rows, also of a very coarse hand-made OLLA.

GRAVE (E.H.)

18-2-1925. Depth 2 ft. 9 in.

Remains of a dark-grey pot or olla, the base only remaining. No sherds or anything near it.

Fragments only of thin brittle sandy black fumed ware, rim entirely wanting.

GROUP CXXVII (E.I.)

18-2-1925. Depth 3 ft. 0 in.

A large dark-grey pot or olla, the upper part much crushed by surface pressure. Arranged in line along the north-east side and close to it were a Samian cup, a dark-grey bottle, and a small pot or beaker with rounded protruding side (bulbous). The succession was from east to west.

414. Large DOLIUM or STORE VESSEL, with recurved rim and thick lip, three narrow zones of black varnish on the shoulder, a row of prodded holes below the neck, which is short and recessed. Hard coarse sandy fumed grey clay, with dark surface mottled reddish by wood-fire.
415. FLAGON or FLOWER-VASE, with double cordon at base of the neck. Fumed dark-grey clay.
416. Small bulbous BEAKER, on a slightly rising base, unornamented, thin-walled fumed grey clay, with traces of black varnish. Early, A. D. 140-190.
417. CUP, Samian form 46 Drag., with central potter's stamp, in the form of a rosette of six petals.

GROUP CXXVIII (E.J.)

18-2-1925. Depth 2 ft. 7 in.

A dark-grey pot or olla much broken: beside it some fragments of a small pot or beaker apparently with indented sides.

418. Bulbous BEAKER, with five circular indentations on a plain stump-ended raised foot and slightly rising base. Fumed dull grey to reddish clay with eroded surface. *c.* A. D. 300.
419. Bulbous BEAKER, with small oblique lip, on a plain foot and slightly rising base.

GRAVE (E.K.)

18-2-1925. Depth 1 ft. 8 in.

Fragments of very much broken dark-grey pots with no objects associated. They include two ollae, a dark-ware dish, red-ware dish, and a red-ware bottle.

GRAVE (E.L.)

18-2-1925. Depth 3 ft. 7 in.

Fragments of a much-broken small dark-grey pot, with many sherds of other vessels around them. Under these a sort of platform made of broken sherds of an amphora (or amphorae) arranged side by side, convex sides uppermost. They must have formed a hearth, for under the sherds the clay was burnt red to a depth of 2 in. Over the sherds a good deal of wood-ash and some fragments of calcined bone. The hearth was about 4 ft. by 2½ ft.

Parts of several vessels, olla, beaker, dark-ware dish, red-ware bottle, and a thin grey pot.

GRAVE (E.M.)

18-2-1925. Depth 2 ft. 6 in.

Fragments of a destroyed amphora, only the bottom intact. Apparently it had been found in recent times and a large hole dug around it, as the sherds were dispersed over two feet or more. A little of the original dark matter still remained in the base, but there was no sign of other vessels. Close to it a well-preserved copper nail like that found with Group XCIV (B.U.).

GRAVE (E.N.)

19-2-1925. Depth 2 ft. 10 in.

An amphora, much crushed by surface pressure; probably robbed at a late date; it contained nothing but a few calcined bones at the bottom.

GRAVE (E.O.)

19-2-1925. Depth 1 ft. 6 in.

Remains of a dark-grey pot or olla, near the surface, all but a little of the base having been ploughed away. No objects with or near it.

Fragments of a thick-sided sandy bull-necked olla.

GROUP CXXIX (E.P.)

19-2-1925. Depth 2 ft. 2 in.

An amphora, much crushed by surface pressure. On the north-west, a dark-ware pot pulverized with a beaded rim. The amphora substance was greatly decayed and softened by the action of frost, which had also made it flaky; perhaps imperfectly burnt. Inside the amphora fragments were a two-handled bottle which had survived, and a small reddish-ware pot, broken and frosted.

WINE AMPHORA as urn.

420. Large wide-mouthed bowl-shaped OLLA; Belgic survival (base partly broken off) with cordon at base of neck and zones of vertically-scored lines and black varnish separated by a groove, and S-shaped opening. Fumed grey clay.

Hengistbury, p. 34, pl. xvii, figs. 4-6, 200-150 B. C. prototype.

421. Two-handled LAGENA, decorated with girth-grooves, with plate mouth and two-ribbed handles.

Fragment of bag-shaped BEAKER with slight carination on the lower part of the bulge. Light-red smooth clay.

422. CUP, Samian form 33 Drag., unstamped.

423. BOWL, Samian form 31 Drag., with central stamp ALBVCIANI of Lezoux, A. D. 160-190. (? ATRVCIANI.)

C. I. L. xiii, 10010, 84, vii, 1336, 43.

Owner's mark under base IANV and VIT; another erased.

GRAVE (E.Q.)

19-2-1925. Depth 1 ft. 6 in.

A large dark-grey pot or olla, all destroyed but a small portion of the bottom, which had escaped the plough. A few calcined bones in the matter at the bottom of the sherd.

Fragments of a coarse grey OLLA.

GRAVE (E.R.)

19-2-1925. Depth 4 ft. 9 in.

A body laid on its left side, back bent and head inclined forward, knees slightly doubled up, as if in a natural position.

The head seemed to be towards the north-east. No objects with the body but a good many independent small sherds scattered about it.

Sherds of a grey sandy olla.

GROUP CXXX (E.S.)

19-2-1925. Depth 1 ft. 11 in.

A dark-grey pot or olla crushed flat. On the south side a small dark pot and a coarse red-ware jug, also crushed flat.

424. Ovoid OLLA, with recurved (C-shaped) beaded rim, marked off by a slight ledge. Fumed grey sandy clay scorched red in places by wood fire.

One-handled FLAGON, fragments only, heavy red clay.

GROUP CXXXI (E.T.)

19-2-1925. Depth 2 ft. 2 in.

A large dark-grey pot or olla. On the north side and level with the shoulder, a dark-ware bottle with short neck.

425. Large OLLA, with heavily-beaded rim, short neck separated by a row of stabs, incurved support and rising base. Fumed grey clay charged with sand, and remains of a black varnish, partly burnt off by wood fire.

426. Stopper-mouthed FLAGON, boldly out-bulged and strongly incurved to a plain foot, on a slightly rising base. Hard thin fumed grey ware, varnished black. A. D. 190-260.

GRAVE (E.U.)

19-2-1925. Depth 2 ft. 4 in.

Remains of a decayed skull, close to sherds of a dark-grey pot (small) and of a red pot with white slip surface; the former probably a beaker and the latter a coarse red-ware bottle. No further trace of body, which was probably that of a young child, as embryo teeth were seen. The pots were probably at the head.

GROUP CXXXII (E.V.)

19-2-1925. Depth 2 ft. 2 in.

A dark-grey pot or olla very much broken. On the north side, a dark-ware bottle, top part of neck missing. About

54 REPORTS OF THE SOCIETY OF ANTIQUARIES

10 in. south-west a skull, which seems to have been partly burnt, and three ball-shaped flint nodules. Under all these an area of burnt matter with wood ashes, 3 ft. long by 2 ft. wide.

Fragments only, lower part of black-varnished sandy OLLA. Rim wanting.

427. Globular FLASK, with narrow straight neck, a cordon at the base, coarse sandy fumed grey clay with remains of black varnish.

Small piece of carinated cup and a red bowl imitating form 37 Drag.

GROUP CXXXIII (E.W.)

19-2-25. Depth 3 ft. 6 in.

A body buried with feet towards the south. At the knees a thin bronze pin, bent. About 10 in. west of the skull a Samian dish and small brown pot or beaker. No traces of fire.

428. BOWL, form 31 Drag., of latest type, a corded line in place of potter's stamp, pale orange-red clay, thin glaze.

Niederbieber, p. 20, pl. I, no. 1c. A. D. 190-260; see also similar potter's stamp, pl. IX, 84-87.

429. Small S-mouth CUP, or BOWL, with under-cut lip.

GROUP CXXXIV (E.X.)

19-2-25. Depth 2 ft. 2 in.

A medium-size dark-grey pot or olla in a very dilapidated condition caused by nearness to surface. At 8 in. south a dark-ware bottle with short neck. Towards the north-east and 2 ft. distant, a decayed skull, which was 9 in. deeper than the pots and probably not connected. No trace of a body.

From observations it seems highly probable that early interments were disturbed by later ones.

OLLA, part only, rim wanting, hard sandy grey-black ware, local fabric.

430. Belgic FLASK, with double cordon at the base of the neck, which is exceptionally narrow, pear-shaped body and domed base. Fumed grey clay. Owner's mark scratched on the shoulder LAV; see pls. xxxviii and lii.

Two pieces of straight-sided bowl, with triangular lip.

GROUP CXXXV (E.Y.)

19-2-1925. Depth 2 ft. 10 in.

A large dark-grey pot or olla with beaded mouth, round and wide at shoulder, and tapering to base. On the north side a group of 4 vessels: a Samian dish on the east, followed in succession to the west by a dark-ware bottle, a dark pot or beaker, and towards the north another beaker. All vessels were in contact. This group is in the British Museum.

431. Tall URNA, with outcurved rim, narrow neck double-cordoned, ovoid body.
432. Belgic FLASK or FLOWER-VASE, form 65 Déch., with double cordon at base of neck, and zone of roulette-hatching on shoulder.
433. Belgic FLASK or FLOWER-VASE, with cordon at base of neck, and zone of roulette-hatching on shoulder. Form 65 Déch.
434. Ovoid BEAKER, with bead rim, distinct neck separated by a step or offset, on a rising base.
435. BOWL, Samian form 46 Drag., nearly, with central stamp of potter DOVECCVS.
R.-B. Guide, p. 110, fig. 126, 7, A.D. 160-190 (Pan-Rock series).

GRAVE (E.Z.)

19-2-1925. Depth 2 ft. 6 in.

A large amphora near the surface, the upper portion broken, but remainder sound. Several small vessels noticed within it.

Sherds only of beaker and red-ware bottle.

GRAVE (F.A.)

19-2-1925. Depth 4 ft. 7 in.

A dark-ware bottle resting on a sherd of an amphora. No sign of any other object near the spot.

436. Stopper-mouthed FLASK, with neck-ring, decorated with shallow corrugations on the lower part of the body. Pale fumed grey clay with dark eroded varnish.

GROUP CXXXVI (F.B.)

20-2-1925. Depth 1 ft. 8 in.

A dark-grey pot or olla, rather small mouth, wide body tapering to base. On the west side a Samian dish. On the south a black-ware bottle with short neck, both in contact with olla. At the base of the olla a much-corroded hemispherical object of bronze. Close behind and probably part of it, a flat disc of lead. Samian dish was broken, but the others escaped though near the surface.

437. URNA, with cordon at base of neck on a rising base. Fumed grey scorched by wood fire on one side, found with no. 439.
438. Belgic FLASK or FLOWER-VASE, with outcurved under-cut square-edged rim, a cordon at base of neck, beaded foot, and grooved and rising base, decorated on the shoulder with a zone of roulette lines. Fumed grey clay. *c.* A.D. 200.
439. BOWL, Samian form 31, with central stamp ONNIO (R., shaped like form 10, fig. 126, Pan-Rock series, A.D. 160-190.
R.-B. Guide, p. 112.

GRAVE (F.C.)

20-2-1925. Depth 1 ft. 6 in.

A collection of sherds was noticed on the surface when the upper layer was taken off, but of little importance and quite ruined. Possibly belonging to a dark-grey olla and a coarse red-ware bottle.

GRAVE (F.D.)

20-2-1925. Depth 1 ft. 10 in.

A dark-grey pot or olla. Nothing near it: probably the rest of the group has disappeared, being near the surface.

440. Olla-shaped CUP, with outcurved rim and slightly rising base. Brownish-grey clay, fully charged with sand.

GRAVE (F.E.)

20-2-1925. Depth 3 ft. 6 in.

A body buried with feet to the south by east. Pieces of a dark-ware pot near the head, but no other objects except at the feet, where rusted iron nodules showed boot nails.

Pieces of a dark-grey bowl of squat shape, carinated bulge similar to no. 411 (E.C.) but larger.

GRAVE (F.G.)

20-2-1925. Depth 1 ft. 6 in.

Remains of a body very near the surface, the skull and a few bones of the upper part of body alone remaining. No objects associated.

GROUP CXXXVII (F.H.)

20-2-1925. Depth 2 ft. 2 in.

A dark-grey pot or olla with round beaded rim. Owing to nearness to surface it was much crushed and the material frosted. Amongst the debris a small Samian cup (a piece missing). A broken black pot or beaker. Calcined bones in the big pot, but no object with them.

Large OLLA, fragments; thin-sided bead-rim, bull-necked, rare shape.

441. Lower part of bulbous BEAKER (neck wanting), faintly roulette-hatched on top of bulge. Fumed grey clay, brownish at core, beaded foot, grooved base.
442. Samian CUP, form 33 (restored in drawing) without stamp. Owner's mark scratched on side.

GROUP CXXXVIII (F.I.)

20-2-1925. Depth 1 ft. 4 in.

A dark-grey pot or olla, quite ruined, owing to being close to the surface. On the east side a dark-ware dish, which had escaped destruction but was frosted.

Fragments only of an Olla.

443. Flat-based straight oblique-sided PLATTER, with bevelled foot scored with a wavy line round the margin. Smooth outside and varnished black.

GROUP CXXXIX (F.J.)

23-2-1925. Depth 2 ft. 4 in.

A small dark-grey pot or olla. Beside it a dark-ware dish, but no other object or sherds.

444. Poppy-head type of BEAKER; a slight cordon at the base of the rim and moulded and grooved base. Pale smooth fumed grey clay.
445. Small straight-sided BOWL or SAUCER, with down-bent lip and bevelled foot. Fumed grey clay with black varnish partly burnt off the side.

GROUP CXL (F.K.)

23-2-1925. Depth 3 ft. 0 in.

A small dark bulbous pot or beaker. A large dark-ware bottle, the neck missing; with rusted marks due to nails. At 20 in. to the north, a decayed skull, but no other bones. Large nails suggested the use of a coffin. A few sherds near the skull.

446. Body of FLASK, form 65 Déch., a double cordon at the base of the neck, ovoid body. Fumed grey clay, much scorched to brown outside by wood fire.
447. Bulbous BEAKER, Belgic type with recurved neck separated by a slight offset, and body incurved to a plain foot and rising base of graceful proportions. Fumed grey clay.

GRAVE (F.L.)

23-2-1925. Depth 5 ft. 0 in.

A grave roughly curbed with sherds of an amphora and small pieces of ragstone. Rusted nodules of boot nails at east end, but the body had quite decayed.

GROUP CXLI (F.M.)

23-2-1925. Depth 6 ft. 6 in. to 8 ft.

A Kimmeridge shale bangle in yellow clay, but nothing near it. Two ft. north, sherds of a light-red coarse ware pot (or perhaps a bottle), the latter at 78 in. below ground level. At a depth of roughly 8 ft., remains of a body, probably part of one found by Mr. Whiting in his former excavation. Below 8 ft. the soil was undisturbed. A fragmentary glass bottle, independent of anything, was also found near this spot. See *Arch. Cant.* xxxviii, p. 129.

FLAGON, in fragments (neck wanting), reddish, soft, brittle clay, coated with cream-coloured slip. Soft flaky ware.

448. GLASS PHIAL; with two moulded handles on a cylindrical body, tapering slightly downwards, of clear yellowish glass spirally streaked.

GROUP CXLII (F.N.)

23-2-1925. Depth 1 ft. 5 in.

Apparently a disturbed group. A small dark pot or beaker near the surface and north of it a dark-ware bowl. Between them corroded trace of a conical object, about 1 in. wide at the base and about the same in height. It might have been a stud or small boss. A few sherds, apparently of a large pot, around this spot.

449. Olla-shaped BEAKER, with cavetto rim, of pale fumed grey clay. Owner's mark a wheel-cross or cross within a circle. Late 2nd cent.
450. Small straight-sided BOWL or SAUCER, with down-bent lip. Sandy brownish to grey clay.

GROUP CXLIII (F.O.)

23-2-1925. Depth 4 ft. 7 in.

Two small dark pots or beakers and a dark-ware dish. No signs of a larger pot.

451. Small poppy-head BEAKER, with cordon at base of oblique rim. Brown-red clay with traces of black varnish.
452. Olla-shaped CUP or BEAKER, with cavetto rim and incurved support to a plain foot and rising base. Fumed grey clay.
453. Straight-sided PLATTER, of brownish, well-washed clay, with black varnish worn to grey, bevelled at foot and thinning towards centre of base.

GROUP CXLIV (F.P.)

23-2-1925. Depth 1 ft. 8 in. and 2 ft. 8 in.

Sherds of a very much destroyed group of dark ware near the surface. Farther to the north, about 1 ft. deeper and nearly in contact with the sherds, a dark-grey pot or olla. North of it a Samian bowl, east of it a dark-ware bottle (perfect), also a pot

60 REPORTS OF THE SOCIETY OF ANTIQUARIES

with a broken rim. Although so close to the first, it is probable that the latter group was separate.

454. Pear-shaped OLLA, with triangular straight-sided rim, neck separated by a slight ledge, and rising base. Fumed sandy clay, scorched to red in places.
455. Pear-shaped FLASK, form 65 Déch., with double cordon at base of neck. Fumed grey clay. A.D. 150-200.
456. Large portion of olla-shaped BEAKER, with cavetto rim, a wide zone of irregularly and faintly-scored oblique lines on bulge. Fumed grey clay, scorched reddish-brown by wood fire on the base.
457. BOWL, Samian form 31 Drag., with central stamp GRA(TV)S.F. A.D. 160-190. (? GRA[ECV]S.F.)
C. I. L. xiii, 10010, 978.

Base of FLAGON, soft clay, red outside and dull drab inside.

GRAVE (F.Q.)

23-2-1925. Depth 6 ft. 9 in.

A body buried with feet to the south. At the feet a large dark-ware bottle, neck broken, but the fragment was found 6 in. from it. The skull and body almost entirely decayed.

458. Belgic BOTTLE, with square-edged, grooved, and undercut rim, a cordon between shallow grooves at the root of the neck, and slightly rising base. Hard fumed grey clay, with thin black varnish.

GRAVE (F.R.)

23-3-1925. Depth 3 ft. 8 in.

A small dark-grey pot or olla, very much destroyed, no smaller vessels near it. The bottom of the pot contained cremated bones.

459. OLLA, with shallow cordon below neck. Thin, hard, sandy clay, fumed grey ware, scorched.

GRAVE (F.S.)

24-2-1925. Depth 2 ft. 0 in.

The first of three bodies found buried in the trenches cut in the field to the east of the cemetery. It was found in the long trench, and the other two close to it in a trench branching at

right angles towards the road. The first body was carefully buried feet to the south, but very much decayed.

Body no. 2 was buried with feet to the west and over the upper part of the first body: on its left side and at right angles to the first body.

Body no. 3 was in the short trench, in the same line as first body and the head 18 in. from it, with feet to the west.

460. Olla-shaped BEAKER, with a distinct neck separated by a ledge from the shoulder. Thin sandy clay, originally fumed, and reddened by re-firing on outside.

GRAVE (F.T.)

24-2-1925. Depth 1 ft. 8 in.

Part of an amphora, very near the surface, and all but a third of it shorn by the plough. A little dark matter in the bottom with calcinated bones, but no sign of any small vessels it might have contained.

GRAVE (F.U.)

24-2-1925. Depth 3 ft. 0 in.

An amphora very much crushed and dispersed by interference from the surface. No objects or sherds of other pots.

461. DOLIUM, of dull red unwashed clay, brown at core.

GRAVE (F.V.)

24-2-1925. Depth 3 ft. 0 in.

Sherds of an amphora, probably a continuation of the destruction of Grave (F.U.). No objects or sherds.

GROUP CXLV (F.W.)

24-2-1925. Depth 6 ft. 6 in.

A rectangular area about 3 ft. wide was confined by lines of rough flints directed to east and west. These were followed eastward until a cross line appeared forming the end of the grave, where a much decayed skull appeared showing the body to have been buried with feet towards the west. In the opposite direction the west end of the grave was found, with only three leg-bones remaining. The side lines of the curb had been partly destroyed by our digging before the nature of the place was

62 REPORTS OF THE SOCIETY OF ANTIQUARIES

noticed. Where the feet should have been there was a dark-ware bottle, and on the south of it a small dark pot or beaker and a small pewter cup-shaped vessel, perished from corrosion. About 14 in. above the grave there was a level space, and upon it a small black pot and a black-ware dish : under these a single sherd with rim of a dark pot. The flints of the grave curb reached as high as the platform, which might originally have been its height. There were coffin nails inside the curb. See pl. LXI. This group bears a resemblance to Group XCIV (B.U.).

462. OLLA ; upper part only, with cavetto rim, decorated with a zone of scored lattice lines. Fumed grey clay black at core.
Cf. May, *Silchester*, p. 160, pl. LXVI, 196, A.D. 350.
463. FLASK, with cordon at base of neck (mouth wanting). Heavy, smooth, fumed grey clay, with black varnish in parts.
464. Olla-shaped CUP or BEAKER, with bead-lip and distinct neck. Sandy clay, burnt by wood fire to reddish-grey.
465. Olla-shaped CUP or BEAKER, with outcurved rim, beaded lip, and slightly rising base. Fumed grey sandy clay, brownish at core and varnished black.
466. PLATTER, straight, obliquely outset side, down-bulged base. Heavy, thick, fumed grey clay, with remains of black varnish.

GROUP CXLVI (F.X.)

25-2-1925. Depth 3 ft. 4 in.

A large dark-grey pot or olla with top and side broken. On the east side a small dark pot or beaker. On the south-east a coarse red-ware bottle entire, with beaded line round shoulder, from which it tapered to the base.

467. Large ovoid OLLA, with outcurved beaded rim, and two shallow cordons at the base. Fumed grey clay. A.D. 200.
468. FLASK or tall FLOWER-HOLDER, with cordon round the middle, of bright red smooth (Boughton ?) clay, with traces of white slip.
469. Olla-shaped CUP or BEAKER, with bead-lip, distinct neck, slightly incurved support on plain foot and rising base. Clay sandy and reddened on surface by wood fire.

GROUP CXLVII (F.Y.)

25-2-1925. Depth 2 ft. 2 in.

A dark-grey pot or olla, crushed by surface pressure. On the north side a dark-grey bottle, which had escaped destruction, with scratched inscription on the shoulder.

470. URN, with outcurved, under-cut rim, cordon at base of neck, and black varnish much worn away on top 3 in. of shoulder. Hard, thin, fumed grey clay.
471. Lower part of OLLA, fumed grey sandy clay.
472. Stopper-mouthed FLASK, moulded neck-ring, wide-bulged body, incurved below on a rising base. Fumed grey clay with remains of black varnish on the shoulder. Owner's name scratched on shoulder VICTORANVS.
473. PLATTER, of coarse brown-red clay with darker varnish.

GROUP CXLVIII (F.Z.)

25-2-1925. Depth 2 ft. 6 in.

A dark-grey pot or olla crushed flat. Also the base of a reddish-grey pot (perhaps a beaker) forced into the fragments of the first, the base only remaining. On the north-east a small dark-grey pot or beaker. On the south-east, a dark-grey bottle with neck missing. On the south, a dark-ware dish of larger size than usual.

474. OLLA, with C-shaped rim, and cordon at base of neck. Thin, hard, fumed pale-grey clay.
475. Body of Belgic FLASK or VASE (neck wanting), cordoned at top of shoulder. Fumed grey clay, reddish at core.
476. Olla-shaped BEAKER, of coarse sandy fumed grey clay.
477. Oblique straight-sided PLATTER, with base slightly out-bulged. Coarse fumed grey clay, reddish at core and varnished black.
478. Straight, oblique-sided flat-based PLATTER, bevelled at foot. Coarse, hard clay, sanded and reddish at core.

GROUP CXLIX (G.A.)

25-2-1925. Depth 3 ft. 4 in.

A body buried with feet to the south. Over the left foot a Samian dish or bowl. Over the right foot a coarse red-ware bottle with handle, broad rim and neck, and short projection above it forming the mouth. Some rusted nails along the side of the body suggested the use of a coffin.

479. Nipple-mouthed FLAGON, burnt to bright red by exposure to flames.

Sumner, *Ashley Rails*, p. 29, pl. IX, nos. 2, 13, A. D. 250-350. Wheeler, *Segontium*, p. 167, fig. 78, no. 49, A. D. 250-350.

480. PLATE, Samian form 79 Walters, with central stamp SENATOR (not in *C.I.L.*), A. D. 260. Cf. stamp CELSIANI . F. in Group XXVIII, 95.

Oelmann, *Niederbieber*, p. 21, pl. I, 5 b. c. A. D. 260.

GRAVE (G.B.)

25-2-1925. Depth 4 ft. 10 in.

A body buried with feet to the east, the hands crossed over the body to about the waist. No objects with body. The skull, being better than many that have been found, was kept; see p. 103.

GROUP CL (G.C.)

25-2-1925. Depth 1 ft. 10 in.

A dark-grey pot or olla much crushed by surface pressure. On the south-west, remains of a small pot or beaker.

Large OLLA, in many fragments, with smooth pasty slip, hand-made, unwashed clay, black-brown, thin and soft.

481. Olla-shaped BEAKER, with distinct neck, moulded lip, pear-shaped body on a rising base. Fumed grey clay, with darker varnish and pale-grey core.

GROUP CLI (G.D.)

25-2-1925. Depth 3 ft. 3 in.

A dark-grey pot or olla of large size with wide mouth, but with no neck or rim: concentric rings on shoulder where neck has been removed, and a thumb-nail pattern in the middle ring

of the three. At 5 ft. 8 in. from this pot, same depth and south by west of it, remains of another dark-grey olla of medium size, but quite ruined. No objects associated.

482. Large ovoid OLLA, with wide square-edged slightly undercut rim, a row of stabbed ovals and cordon below short neck, and rising base. Hard fumed grey brownish clay. Cf. nos. 38, 66. A. D. 150.
483. Ovoid OLLA, with neck separated by a ledge, cordon and groove, C-shaped rim scored with latticed lines on bulge. Coarse hard clay, well smoothed and scorched all round by exposure to wood fire, and much broken.
484. BOWL, Samian form 31 Drag., with high coned base. Central stamp doubtful. ? AMAN. A. D. 190-265.
Niederbieber, p. 19, pl. 1, type 1, A. D. 160-190.

GROUP CLII (G.E.)

25-2-1925. Depth 5 ft. 0 in.

A dark-grey pot or olla very much broken. On the south, a dark-grey bottle (perfect). Below and at their sides, a few sherds which might have belonged to vessels of a group.

OLLA, with C-shaped rim and false cordon at base of neck. Only a portion of this pot.

485. Belgic FLASK (form 65 Déch.), with double cordon at base of neck, and girth-groove 1 in. below. Fumed grey hard clay with black varnish. c. A. D. 150.

GRAVE (G.F.)

25-2-1925. Depth 2 ft. 2 in.

Remains of a dark-grey pot or olla destroyed owing to nearness to the surface: only a few sherds remained, the rest dispersed.

GROUP CLIII (G.H.)

25-2-1925. Depth 2 ft. 8 in.

A large dark-grey pot or olla with wide mouth and beaded rim, wide at the shoulder. On the south-east, a dark-grey bottle (perfect) with a wide rim at upper part of neck from which the mouth projected. At 2 ft. 10 in. due south, a much-broken dark-grey pot, with a small black pot or beaker on the east of it.

66 REPORTS OF THE SOCIETY OF ANTIQUARIES

486. Pear-shaped OLLA, with bead rim and cordon on the shoulder, deeply incurved support and rising base. c. A.D. 150.
487. Stopper-necked FLASK, with narrow neck separated by a narrow offset from the body, moulded foot, grooved and rising base. Fumed grey clay, A.D. 200-250. A vent hole bored at base of neck shows its use as a costrel or portable drinking-flask.
488. Pear-shaped OLLA, with ledged rim for a lid, thin-sided sandy fumed grey hard clay.
489. Poppy-head BEAKER, with cordon at base of rim. Fumed grey-brown clay with black core.

GROUP CLIV (G.I.)

25-2-1925. Depth 2 ft. 10 in.

A dark-grey pot or olla very much broken. On the west, a large dark bottle (with neck missing). The remains of large pot seem to have been frosted.

Large DOLIUM or STORE VESSEL, of brown-black gritted ware, soft pasty clay, in many brittle fragments.

490. Pear-shaped Belgic FLASK, with cordon at base of neck. Fumed grey clay.

Small portion of Belgic cordoned BEAKER.

GROUP CLV (G.J.)

25-2-1925. Depth 2 ft. 4 in.

A dark-grey pot or olla crushed by surface pressure. Over the mouth a Samian dish, perhaps placed as a cover. On the north-east, a small dark pot or beaker. Sherds and a rim of a large olla about 8 in. from these remains.

Possibly older interments have here been destroyed by newer ones.

491. Wide-bulged ovoid OLLA, with heavy bead rim, short neck with cordon at base, slightly rising base. Hard smooth fumed grey clay. Cf. nos. 7, 111, and later 108. 1st cent.
492. Large bowl-shaped vessel used as URN, with heavily beaded rim and groove-bordered zone of scored lines on the shoulder. A survival of the ornamental raised band of

Belgic type found at Hengistbury and common at Colchester. Fumed grey clay with parts scorched reddish by wood fire.

493. FLASK, with neck-ring, small vent-hole at base of neck, and zone of roulette hatching on the shoulder. Fumed grey clay.
494. Olla-shaped CUP or BEAKER, with cavetto rim, fumed grey sandy clay.
495. BOWL, Samian form 31 Drag. with central stamp QVINTI M. Lezoux potter, A. D. 160-190.
Pan-Rock series, *R.-B. Guide*, p. 112.

GRAVE (G.K.)

26-2-1925. Depth 5 ft. 4 in.

A small black pot or beaker in fragments, with nothing near it. Possibly over a body which had entirely disappeared.

496. Thick-set olla-shaped BEAKER, hand-made and coated with smooth pasty slip, impregnated with pounded particles of flint or shell.

GRAVE (G.L.)

26-2-1925. Depth 1 ft. 0 in.

Remains of a dark-grey pot or olla completely destroyed owing to nearness to surface and frosting. A few sherds only remained with a few fragments of calcined bone. These remains were discarded as too poor to be of any use.

GROUP CLVI (G.M.)

26-2-1925. Depth 2 ft. 4 in.

Group consisting of half a large coarse red-ware pot of thin material, lower half only remaining, upper part shorn by plough, substance frosted and rotten. On the east side and touching it, a group of small vessels in contact with one another. One on the north was a black pot or beaker, next a New Forest cup of hard ware, sides indented and much broken. At the south end of the group and close to the first large pot, a sherd of a Samian bowl with inscription: a sherd of this had been placed over the

68 REPORTS OF THE SOCIETY OF ANTIQUARIES

small black beaker. The sherds of Samian were dispersed over an area 6 ft. from the centre. The inscription read :

LVCIVS LVCIANVS VLI DIANTVS VICTOR
VICTORICVS VICTORINA VAS COMMVNIS

This group is in the British Museum.

497. Ovoid OLLA, lower portion only, soft red clay.
498. Black glazed Rhenish ware folded BEAKER, with seven indentations decorated with roulette grooves.
- 498a. BOWL, Samian form 31, stamped inside PAT////PIXY. Inscription on outside as given above (see pl. LIV).
499. Belgic BOWL, with round-bulged body, grooved twice in the middle, and recurved rim.

GRAVE (G.N.)

26-2-1925. Depth 3 ft. 4 in.

Fragments of a much broken dark-grey pot or olla.

500. Large ovoid OLLA, with down-folded oval rim, a row of stabbed holes and slight ledge below, and five black varnished zones on the shoulder. Thin hard fumed grey clay, slightly sanded.

GROUP CLVII (G.O.)

26-2-1925. Depth 3 ft. 4 in.

A dark-grey pot or olla of medium size with wide mouth and beaded rim. On the west, and nearly touching it, a large long tapering vessel of red ware. It had one handle and was of amphora form, but with a small round base, about 16 in. high, neck slightly broken. The dark pot contained a silver armilla, 22 lunette-shaped shale beads, and a glass bottle.

501. Pear-shaped OLLA, with heavy bead lip, recurved rim and rising base. Pale grey fumed sandy clay.
502. One-handled WINE-JAR, with narrow conical neck widening downwards, and conical body expanding upwards on a small foot. Resembles in general shape Oelmann, *Niederbieber*, p. 64, fig. 46, two-handled amphora of a type supposed to be made in Southern or Central Gaul about the second half of the 2nd cent. Inside light red, outside light yellow, and showing similar wide grooves of the potter's fingers in turning, very hard baked, and refined. Handle mostly two-ribbed. Hard thin brownish buff well smoothed and washed.

503. GLASS FLAGON, with moulded two-ribbed handle and thumb-rest, beaded and rising base, neck bound with spiral thread. Cf. *R.-B. Guide*, p. 104, fig. 123 g, from Colchester.

GROUP CLVIII (G.P.)

26-2-1925. Depth 3 ft. 4 in.

A dark-grey pot or olla of the same description as no. 501 (G.O.) but greatly broken. On the south-west a dark bottle (perfect) on which an inscription could be seen. In contact with this a small black pot or beaker. On the side of the big pot fragments, and slightly over them on the south side, a broken Samian dish.

504. Body of ovoid OLLA, on a rising base. Fumed sandy grey clay reddened by exposure to wood fire.
505. FLASK or BOTTLE, with stopper-mouth and neck-ring, globular body, grooved and rising base, decorated with a zone of roulette hatching and scratched with owner's name FLAVINVS. Fumed grey clay. An offset marks the junction of neck and shoulder. A.D. 160-300.
506. Small BEAKER, of poppy-head type, with cordon at base of oblique rim. A.D. 150-200.
507. BOWL, Samian form 31 Drag., with central stamp AT . TROF.

GROUP CLIX (G.Q.)

26-2-1925. Depth 1 ft. 0 in.

Remains of a group practically on the surface and thoroughly ruined. Apparently there had been a dark-grey olla, north of it a dark-ware bottle, and on the west a Samian bowl. Small objects possibly mendable.

Lower part only of a large coarse sandy OLLA of local fabric and scorched by wood fire.

508. Belgic FLASK, with cordon at base of neck and sub-carinated shoulder. Fumed grey clay, mottled brownish outside.
509. BOWL, Samian form 31 Drag., with central stamp in the form of a straight bar $\frac{7}{8}$ in. long. Found close to the surface, and much battered on glaze and rim.

GRAVE (G.R.)

27-2-1925. Depth 4 ft. 0 in.

A Samian dish independent of other objects. Two ft. below the spot a skull which could be seen to belong to a body buried with feet to the south, but body had disappeared from decay. Perhaps the bowl was placed over the body.

510. BOWL, Samian form 31 Drag., with central stamp in form of a straight billet.

Cf. Oelmann, *Niederbieber*, p. 17, pl. IX, 84. A. D. 190-260. Clay bright orange red.

GROUP CLX (G.S.)

27-2-1925. Depth 4 ft. 0 in.

A dark-grey jug with handle, rather squat with signs of white slip round the shoulder. Close to it a dark-ware bowl (broken). These were seen to have been placed over the feet of a body buried with feet to the south. At the head there was another body crossing the first, with feet to the east. A third body, with feet to the east, had the feet and lower part of legs over the middle of the first.

511. Globular FLAGON, with incipient neck-ring and two-ribbed handle decorated with radial scored lines at the base of the neck. Pale fumed grey clay with zone of white slip below handle.

Cf. Sumner, *Stoden*, p. 25, pl. v, nos. 7, 8, 9. A. D. 250-350.

Fragments of dark-ware bowl.

GROUP CLXI (G.T.)

27-2-1925. Depth 2 ft. 6 in.

A very perfect group; pots in vertical position and undisturbed. A dark-grey pot or olla had on the south the following objects in succession from east to west: A coarse red-ware bottle, a small dark pot or beaker, a small Samian bowl. All were in contact with one another and with the big pot. Now in British Museum.

512. Large S-mouthed BOWL, with cordon at base of neck and band of latticed lines on the shoulder.
513. Bag-shaped FLAGON with saucer-mouth, four-ringed and everted foot.

514. Poppy-head BEAKER, with cordon at base of neck and beaded foot on a grooved and rising base. c. A.D. 150.
515. CUP, Samian form 33 Drag., Antonine, A.D. 140-190. Stamped SATVRNINIOF. Owner's mark (see pl. LII).

GRAVE (G.U.)

27-2-1925. Depth 2 ft. 4 in.

A large dark-grey pot or olla, the upper part shorn away and the rest cracked owing to nearness to surface. Sherds of an amphora on and around the spot.

516. Large DOLIUM or OLLA, rim wanting, slightly incurved at base of neck, base partly broken away. Clay hard fumed grey with black bitumen coating (not burnt off).

Among the sherds, pieces of red-ware FLAGON and small dark-grey VESSEL.

GROUP CLXII (G.V.)

27-2-1925. Depth 2 ft. 8 in.

Portion of a dark-grey pot or olla much crushed and cracked by surface pressure, close to a fragment of a sharply conical bronze stud.

517. Large DOLIUM, wide-mouthed, brown-black British gritted ware, smooth pasty clay, cordoned on neck.
518. Plump olla-shaped BEAKER, with distinct neck. Fumed grey sandy clay, reddish at core.
519. Flat open PLATTER, with straight side obliquely set, and bevelled foot. Fumed smooth black polished.

GROUP CLXIII (G.W.)

27-2-1925. Depth 2 ft. 10 in.

A dark-grey pot or olla with wide mouth and beaded rim, much broken. Inside it a small dark pot or beaker and outside it two sherds of a Samian bowl, other sherds of the same scattered round about. Also on the outside, pot with indented sides made of soft red-ware with black slip. Below this a skull of a body buried apparently with feet to the south, perhaps not related to the group above. Near the skull a corroded bronze stain of a small ring.

72 REPORTS OF THE SOCIETY OF ANTIQUARIES

520. Ovoid OLLA, with heavily beaded rim, distinct neck, and rising base. Fumed grey sandy clay with brownish core, the lower portion of outside scorched reddish brown by wood fire.
521. Indented bulbous BEAKER, with five circular indentations round the bulge, oblique rim, plain foot, rising base. Fumed grey clay.
Cf. *R.-B. Guide*, p. 114, pl. XII, 5.
522. Bulbous BEAKER, with small oblique rim and foot, decorated with two zones of roulette hatching on the bulge.
523. BOWL, Samian form 31 Drag., with central stamp PRIMANI of LEZOUX. A.D. 150-190.
C.I.L. xiii, 10010, 1560. *R.-B. Guide*, p. 112, A.D. 150-190. Owner's marks on side and base (see pl. LII).

GROUP CLXIV (G.X.)

27-2-1925. Depth 3 ft. 6 in.

A perfect dark-grey pot with small mouth and beaded rim covered by a sherd from the bottom of a black beaker. Inside the big pot cremated bones, and resting upon them a bronze armilla, a small glass bottle and a bone pin.

524. Narrow-necked ovoid URNA, with out-bent rim, slight corrugation in imitation of cordon at base of neck. Hard sandy clay.
525. Base of olla used for covering the mouth of Urna. Pale fumed grey clay scorched reddish.
526. Small GLASS PHIAL, with domed kick (omphalos) in base.

GRAVE (G.Y.)

27-2-1925. Depth 4 ft. 4 in.

The lower part of an amphora which had evidently been destroyed, as sherds of it were dispersed around 3 ft. distant. A few calcined bones in the surviving part of the bottom.

GRAVE (G.Z.)

2-3-1925. Depth 3 ft. 6 in.

A large dark-grey bottle-neck, broken but the piece afterwards recovered. As there were signs of a child's burial here, it is possible that the bottle was connected with it.

527. Belgic pear-shaped FLASK, with rather long narrow neck and two faint cordons at base, a zone of roulette hatching, and burnished zones on the shoulder. Hard heavy well-washed clay.

GRAVE (H.A.)

2-3-1925. Depth 2 ft. 4 in.

A large dark-grey pot or olla crushed by surface pressure. Rather wide mouth and beaded rim. No small objects near.

528. OLLA, British gritted ware. This type was made at Silchester for a considerable period.

GRAVE (H.B.)

2-3-1925. Depth 3 ft. 9 in.

A coarse red-ware bottle with handle, a wide neck-rim with spout projecting above it (perfect). No other vessels or sherds near. It might have been deposited over a child's body.

529. One-handled FLAGON, with neck-ring and stopper-mouth. Bright red (Boughton) clay. A.D. 190-260.

GRAVE (H.C.)

2-3-1925. Depth 3 ft. 0 in.

A body buried with feet towards the east, with no object near it. It was very much decayed.

GROUP CLXV (H.D.)

2-3-1925. Depth 3 ft. 6 in.

Body of child buried feet to the south. Embryo second teeth behind the milk teeth. At the feet (or where they should have been) a large grey bottle. On the right side of the head a small buff-red pot (perfect), and on the left a small and very thin glass bottle, one side damaged. A smooth round pebble at the head. Dispersed over and about the body were fragments of a Samian bowl. Coffin nails were present, but showed no definite lines.

530. FLASK or FLOWER-VASE, form 65 Déch., with cordon at base of neck and a zone of radially-scored lines, with grooved border on the shoulder, on a slightly rising base. Fumed grey clay with black varnish. A.D. 150-200.

74 REPORTS OF THE SOCIETY OF ANTIQUARIES

531. Base fragment of Samian FLASK or FLAGON, with foot-ring and slender bead at its junction with body. Glazed outside, not inside except in spots, showing it to be part of a globular vessel with narrow neck—a rare specimen. Early 2nd cent.
532. Tall bulbous BEAKER, decorated with rude scrolls in white slip. Buff smooth clay.
533. GLASS PHIAL, with straight tubular neck and globular body, pale greenish.

GRAVE (H.E.)

2-3-1925. Depth 5 ft. 6 in.

A body buried with feet to the south. At the feet on the left a large dark-grey bottle. Coffin nails at the sides, and boot nails at the end, but no other objects.

534. Globular FLASK, with long tapering neck, three rows of roulette notches round the body, on a rising base. Fumed grey clay.

GRAVE (H.F.)

2-3-1925. Depth 2 ft. 8 in.

A skull and, 4 ft. to the south, a dark-grey bottle with part of the neck missing. This is a child-burial, as the jaw showed embryo teeth over the milk-teeth. Bottle seems to have been placed at the feet, and body buried feet to the south. There were scattered sherds, but no other objects.

535. Globular FLASK (neck wanting), with double cordon at base. Fumed brownish clay with black varnish.

GROUP CLXVI (H.G.)

2-3-1925. Depth 2 ft. 8 in.

A large dark-grey pot or olla with wide mouth and plain rim (not beaded). On the south-east a dark red-ware bottle. On the south a Samian bowl, and sherds of a dark pot with diagonal lines on the side nearest to bottom. On the west of the olla a small dark-ware beaker.

536. Ovoid OLLA, with recurved rim, infolded lip, cordon at base of neck, and rising base. Fumed grey clay, with black varnish much burnt off.

537. FLASK, with outbent rim, cordon at base of neck, and rising base. Fumed grey clay, coated with soft pasty slip. A. D. 150-200. Cf. nos. 24, 33, 48, 64, 70, 83, 84, 94, 109.
538. Bulbous BEAKER, with outcurved rim and incurved support. Pale fumed grey clay.
539. PLATE, Samian form 79 Walters, with central stamp MARCI M of Lezoux.
R.-B. Guide, p. 112, fig. 126, 3. A. D. 160-180.

GROUP CLXVII (H.I.)

2-3-1925. Depth 2 ft. 0 in.

A dark-grey pot or olla of medium size, and on the east a Samian bowl. Former has rather small mouth and beaded rim. Though close to the surface, it escaped destruction.

540. Large ovoid OLLA, with boldly-rounded shoulder, outcurved neck, under-cut beaded lip, a cordon at base of neck, and rising base. Hard sandy fumed grey clay with black varnish eroded to grey.
541. BOWL, Samian form 31 Drag., with high coned base, no trace of stamp, and glaze almost entirely eroded. Antonine, A. D. 160-190.

GRAVE (H.J.)

2-3-1925. Depth 10 in.

This place was pegged early in February to mark where a small dark-ware vessel was found, now recognized as a child's feeding-bottle. Probably it was placed over the body of a child, all trace of which has completely disappeared.

542. Child's feeding-bottle (tettine), with nipple or spout. Clean, hard, fumed grey clay, with reddish film below a black varnish.

GRAVE (H.K.)

2-3-1925. Depth 4 ft. 4 in.

A body buried with feet to the east, with no objects. The skull only remained. The teeth showed it to be that of an elderly person, as the molars were much worn down, though not decayed.

GRAVE (H.L.)

2-3-1925. Depth 4 ft. 0 in.

A coarse red-ware bottle, neck broken but the fragment present. This occurred on the edge of Mr. Whiting's former trench, and probably belonged to a group found by him there.

543. Small narrow-necked, one-handled FLAGON, with overstepped mouth of three rings on a bead foot and grooved and rising base. Smooth tile-red clay with cream-coloured slip. A. D. 160-190.

GROUP CLXVIII (H.M.)

2-3-1925. Depth 2 ft. 4 in.

A large dark-grey pot or olla, the top shorn away by the plough. There were no objects around it, but some inside.

544. Ovoid OLLA, with outcurved plain rim. Fumed grey sandy clay, reddish at core. Scorched with lattice lines in a band $7\frac{1}{2}$ in. wide.
545. FLASK, form 65 Déch., fumed grey clay with remains of black varnish on shoulder, partly burnt off.
546. Olla-shaped CUP or BEAKER, with bead-lip and distinct neck. Fumed grey clay.
547. Wide DISH or PLATE, imitating form 36 Drag., of bright red (Boughton) clay. Local fabric.

GRAVE (H.N.)

3-3-1925. Depth 3 ft. 3 in.

A few fragments of a dark-grey pot or olla, quite destroyed. About 9 in. to the north pieces of a dark-ware dish. A body buried immediately below, and it is possible that the vessels were placed over it at the time.

These fragments show a bull-necked olla and a dark-ware dish.

GROUP CLXIX (H.O.)

3-3-1925. Depth 2 ft. 4 in.

A wide-mouthed dark-grey pot or olla with beaded rim, medium size. On the north-west a coarse red-ware vessel, probably a bottle, but broken in fragments. On the north a small dark pot, long, tapering towards the base, and with one handle.

548. Wide-mouthed pear-shaped OLLA, with under-cut bead-rim and distinct neck. Fumed grey clay, with black varnish scorched red on one side. 2nd cent.
549. One-handled FLAGON, with two-ringed under-stepped mouth and two-ribbed handle. Bright red (Boughton) clay, with traces of white slip coating. Early 3rd cent.
550. Tub-shaped one-handled MUG (elongated), fumed grey clay with black varnish.
Curle, *Newstead*, p. 256, fig. 31, a broader and earlier example dated A. D. 180; its date is therefore later than A. D. 200.

GROUP CLXX (H.P.)

3-3-1925. Depth 2 ft. 2 in.

A dark-grey pot or olla of medium size, fairly wide mouth and beaded rim. On the south-east a broken dark-ware dish placed against the big pot, and facing it. On the east a small dark pot or beaker. There were many independent sherds about this group.

551. Broad bull-necked OLLA, sandy thin black brittle ware.
552. Olla-shaped BEAKER, with bead-lip and distinct neck. Fumed grey thin brittle sandy clay.
553. Straight-sided PLATTER, with rising base. Hard sandy fumed grey clay.

GROUP CLXXI (H.Q.)

3-3-1925. Depth 2 ft. 2 in.

A dark-grey olla much ruined by surface pressure. On the east a long tapering dark pot with shallow pressed pattern on shoulder. On the south-east a small red-ware beaker with small base below a bulbous body.

554. Pear-shaped OLLA, with recurved rim and heavy bead-lip, on an incurved support and rising base. Fumed grey clay scorched reddish by wood fire. A. D. 190-210.
555. Elongated poppy-head BEAKER, with cordon at base of oblique rim, on a grooved and rising base, decorated with three zones of lightly-impressed roulette-hatching. Fumed grey clay with darker surface scorched by wood fire on base and inside rim.

556. Bag-shaped BEAKER, with small oblique rim and foot, slightly carinated bulge and raised base, decorated with girth-groove and lightly-impressed roulette zones. Bright red (Boughton) clay. A. D. 190-210.

GRAVE (H.R.)

3-3-1925. Depth 2 ft. 9 in.

A Samian dish with no objects near it. It is worth remembering that small children's bodies disappear entirely, and that single objects might once have been over their graves.

557. BOWL, Samian form 31 Drag., with central stamp MACCALI. M. *R.-B. Guide*, p. 112. A. D. 160-190.

GRAVE (H.S.)

3-3-1925. Depth 3 ft. 4 in.

An amphora broken and spread out, most of the fragments convex side uppermost. No signs of contained pottery or cremated bones. Below this a body with feet towards the south-west, possibly covered with the sherds above.

GROUP CLXXII (H.T.)

3-3-1925. Depth 1 ft. 8 in.

A dark-grey pot or olla, completely ruined, and only a little of the lower part left. On the south-east a dark-ware bottle. On the south side remains of a coarse red-ware vessel, probably a bottle.

Lower part only of coarse OLLA; soft pasty clay (local fabric), scorched red. Rim entirely wanting.

558. Belgic FLASK, mouth wanting, narrow neck cordoned at the base, a zone of roulette-hatching on the shoulder, beaded foot, and grooved and rising base. Fumed grey clay with darker surface.

Base of red FLAGON, smooth clay with traces of white slip.

GROUP CLXXIII (H.U.)

3-3-1925. Depth 1 ft. 3 in.

Remains of a dark-grey pot or olla, only the extreme bottom and a few of the upper sherds remaining as it was close to the surface and had been ploughed out.

Fragments of olla only.

559. PLATTER, with oblique side slightly curved upwards, and bevelled foot, a groove outside below the lip. Fumed light grey clay.

GRAVE (H.V.)

3-3-1925. Depth 3 ft. 4 in.

A few fragments of a large rough pot, red on the outside with grey sandwiched between the red. It had a thick round beaded mouth, and perhaps resembled an amphora. No objects near, and no scattered sherds.

GROUP CLXXIV (H.W.)

3-3-1925. Depth 1 ft. 6 in.

Remains of a dark-grey pot or olla, apparently with wide mouth and beaded rim. Very little of it left as it was close to the surface and had been ploughed out. On the south side a dark-grey bottle (perfect), which had marvellously escaped.

Rim only of olla. Bottle given away by owner.

GRAVE (H.X.)

3-3-1925. Depth 5 ft. 4 in.

A body buried feet to the south, the skeleton better preserved than many. At the feet and on the left side a dark red-ware bottle, with rather glossy black slip.

560. Ovoid-bodied BEAKER, with tall, funnel-shaped neck separated by a moulding, and plain lip on a raised foot and rising base. Brownish clay with black glaze much rubbed off.

GRAVE (H.Y.)

3-3-1925. Depth 5 ft. 4 in.

A body buried with feet to the south. At the head a melon-shaped bead. Forearms crossed over the body, the left one being towards upper part of chest.

GROUP CLXXV (H.Z.)

4-3-1925. Depth 2 ft. 8 in.

Half a dark-grey pot or olla. On the west a small dark pot or beaker. On the south-west, in contact with beaker, a small broken pot about the same size.

80 REPORTS OF THE SOCIETY OF ANTIQUARIES

561. Tall ovoid OLLA, neck and part of shoulder wanting. Fumed grey sandy clay with rising base.
562. Olla-shaped BEAKER, with bead-lip and distinct neck.
563. Poppy-head BEAKER, with cordon at base of oblique rim, hard smooth fumed grey clay, with darker slip.
564. Upper portion of bulbous BEAKER, with oblique rim and constricted bulb decorated with roulette hatching. Thin fumed grey clay.

GROUP CLXXVI (I.A.)

4-3-1925. Depth 3 ft. 3 in.

A large amphora with neck and handles removed but the orifice not enlarged. Body was rather cracked but otherwise perfect. Inside were a dark-grey bottle, a small black pot or beaker, and a Samian bowl. A pair of bronze tweezers, half a thin glass disc, and a small flat piece of bronze.

WINE AMPHORA as Urn.

565. Belgic FLASK, with cordon at base of neck, form 65 Déch., smooth dark-red clay.
566. Small poppy-head BEAKER, with cordon at base of neck. Fumed grey clay.
567. CUP, Samian form 33 Drag., unstamped. A. D. 190-260.

GRAVE (I.B.)

4-3-1925. Depth 5 ft. 4 in.

A much-decayed body buried with feet towards the east. No objects in association.

GROUP CLXXVII (I.C.)

4-3-1925. Depth 1 ft. 9 in.

Fragments of a dark-grey pot or olla, shorn by the plough. In the fragments around it were those of a dark-ware bottle and a sherd of Samian.

568. Lower part of large wide-bulged OLLA, with rising base. Fumed grey clay scorched to reddish in parts by wood flames.

569. Lower part of FLASK, with double cordon at root of neck and zone of roulette-hatching on shoulder. Fumed grey hard clay scorched reddish outside by wood fire.
570. Base of FLASK or BEAKER, fumed grey clay scorched by wood fire.

GRAVE (J.A.)

6-3-1925. Depth 1 ft. 8 in.

A bronze spoon or scoop with slender stem, broken in the middle, and the ovoid bowl also broken. The soil at this place indicates a rubbish pit, and contains quantities of oyster shells and worn potsherds. The width of the dark matter is about 10 ft., and depth about 6 ft. In length it has been found to extend about 40 ft. in direction south-west to north-east. Besides the scoop there were small pieces of scrap bronze and a very poor thin wire armilla.

GRAVE (J.B.)

10-3-1925. Depth 3 ft. 6 in.

An amphora in ruinous condition, the fragments decayed and frosted. A small black pot or beaker (broken) on the outside. In lower part of amphora, remains of a red-ware bottle with handle and white slip remaining in places on the surface.

571. Saucer-mouthed FLAGON, with two mouldings on the angle of carinated shoulder, on a raised base. Tile-red clay with cream-coloured slip coating much rubbed off. Three girth-grooves below middle.

GROUP CLXXVIII (J.C.)

10-3-1925. Depth 3 ft. 0 in.

Half a large dark pot or olla used like an amphora, the material coarse and red in places and the remainder black. It was in a ruinous condition but nevertheless held three perfect vessels: a small black beaker, a dark-ware bottle, and a bottle or jug with wider mouth than the other and with a handle. Also a Samian dish (cracked). There were calcined bones on the bottom of the big pot.

572. Belgic FLASK, with cordon at base of neck, ovoid body, beaded foot on a grooved and rising base. Fumed grey clay with black varnish partly burnt off. Found with bowl stamped QUINTI M of the Pan-Rock series.

R.-B. Guide, p. 112, dated A.D. 160-190.

82 REPORTS OF THE SOCIETY OF ANTIQUARIES

573. Globular FLAGON, with quadruple upstepped mouthpiece of bright red (Boughton) clay, very thick-sided and heavy.
574. Small poppy-head BEAKER, with oblique rim, cordoned at the base. Fumed grey clay.
575. BOWL, Samian form 18/31, with central stamp QUINTI M. Good ware.
C.I.L. xiii, 10010, 1481. A.D. 100-150.

GROUP CLXXIX (J.D.)

10-3-1925. Depth 3 ft. 7 in.

A large dark-grey pot or olla much crushed and bottom cracked. Over the top a coarse red-ware bottle, and near the bottom remains of a dark-ware vessel, probably a bottle.

576. Large boldly out-bulged BOWL or OLLA, Belgic type, with cordon at the base of the neck and zone of scored lattice-lines bordered by a groove on the shoulder, on a rising base. Fumed grey sanded clay.
577. One-handled drooped or bag-shaped FLAGON, with plain saucer-mouth, bright red (Boughton) local well-washed clay.
578. Belgic FLASK, with cordon at base of neck, beaded foot and grooved and rising base. Fumed grey clay, broken in halves, and restored in drawing.
579. Body (neck wanting) of FLASK, with cordon at base of neck. Hard smooth pale-grey fumed clay.

GROUP CLXXX (J.E.)

10-3-1925. Depth 3 ft. 9 in.

A dark ware pot or olla, only half remaining, and no objects with it. Three ft. to the north a solitary Samian bowl at a level 6 in. deeper than the pot. Deeper down were found later a broken Samian dish, a dark-ware pot or beaker, and the top of a black bottle. They might have been over a burial of which there was no trace left.

Thin brittle brown-black DOLIUM, bead rim, baked in contact with the fuel.

580. Small poppy-head BEAKER, Belgic type with oblique rim cordoned at the base. Fumed grey clay, reddish at core.

581. CUP, Samian form 33 Drag., with central stamp IVC. (?RVF).
C. I. L. xiii, 1061, IVC(UNVVS). Owner's mark in the
form of a gridiron on outside (see pl. LI).
582. DISH, imitating form 32 Drag., bright-red smooth clay.

GROUP CLXXXI (J.F.)

10-3-1925. Depth 3 ft. 9 in.

A dark-ware pot or olla, much cracked. On the east a coarse red-ware bottle with handle. On the south-east a small black pot or beaker, and on the north a Samian bowl. All vessels in contact.

Two ft. to the south-east of this group a small dark beaker and a small Samian dish side by side north and south. No other objects near them.

583. Wide-mouthed BOWL or OLLA, with almond-shaped down-folded rim, decorated with a zone of scored vertical lines between girth-grooves. Fumed grey sandy clay, scorched by wood fire on one side.
584. Pear-shaped disc-mouthed FLAGON, with plain handle. Bright red (Boughton) clay.
585. Wide-bulged bulbous BOWL or BEAKER, with oblique rim, beaded foot, grooved and rising base. Fumed grey clay, black-varnished and brownish at core. Decorated with lightly-scored lines and roulette hatching on the bulge.
586. Small poppy-head BEAKER, with cordon at base of neck. Fumed grey clay.
R.-B. Guide, p. 113, pl. XII, 6.
587. BOWL, Samian form 31 with central stamp uncertain. A. D. 160-190. Pan-Rock type, *R.-B. Guide*, 126, 11.
588. CUP, Samian form 33 Drag., stamped centrally S(ECVN)DI of Lezoux, Heiligenberg, Rheinzabern, A. D. 85-130.

GROUP CLXXXII (J.G.)

10-3-1925. Depth 2 ft. 6 in.

A dark-grey pot or olla very much crushed. On the north-east and in contact was a large coarse red-ware bottle with handle. On the north-west a Samian bowl.

84 REPORTS OF THE SOCIETY OF ANTIQUARIES

589. Ovoid OLLA, lower portion only, with rising base. Fumed grey sandy clay scorched by wood fire.
590. One-handled FLAGON, oblate spheroid body, on a grooved and rising base. Owner's mark on the shoulder.
591. BOWL, Samian form 31 Drag., with central stamp PRA(TERITI). This latter portion of the stamp uncertain. Owner's marks on lower part of side and under base (see pl. LII).

GRAVE (J.H.)

10-3-1925. Depth 3 ft. 6 in.

An amphora completely destroyed. At the bottom some calcined bones and three small pieces of Samian ware, which might have belonged to vessels it had contained.

Pieces of Samian ware suggest Forms 46 and 31. Fragments of grey olla with an inch-wide zone of lattice-work below neck.

GRAVE (J.I.)

11-3-1925. Depth 2 ft. 6 in.

Remains of a dark-grey pot or olla quite ruined, a few calcined bones remaining at the bottom, but nothing else.

DOLIUM, lower part only. Hard sandy brittle clay.

GROUP CLXXXIII (J.K.)

11-3-1925. Depth 4 ft. 0 in.

A body buried with feet towards the west. Over the middle a dark-grey bottle and a small dark beaker, with fragments of a Samian bowl.

592. Stopper-mouthed FLASK, with narrow neck and two vent-holes to assist outflow of liquid on shoulder, incurved support, rising base. Fumed grey clay.
593. Small poppy-head BEAKER, with cordon at base of neck. Fumed grey clay. A.D. 50-200.
R.-B. Guide, p. 113, pl. XIII, 6.

GROUP CLXXXIV (J.L.)

11-3-1925. Depth 3 ft. 2 in.

Group consisting of a coarse red-ware bottle, a small dark pot or beaker, and a Samian dish (broken). Sherds of a dark-grey

pot near and around, so perhaps there had been a bigger vessel at an early time in the group.

594. Base and fragment of rim of ovoid olla of fumed grey sandy clay.
595. Saucer-mouthed FLAGON, with three rings, double-ribbed handle. Tile-red clay. A small vent-hole on the shoulder.
596. Body of small globular poppy-head BEAKER (neck wanting), cordoned below neck, and decorated with oblique rows of little studs, forming lozenge-shaped groups. Fumed grey clay.
597. BOWL, Samian form 18/31 Drag., with central stamp SEC VNDINVSF.
Walters, *Cat. M.* 2334.

GROUP CLXXXV (J.M.)

11-3-1925. Depth 3 ft. 2 in.

A dark-grey pot or olla and on the north-east a Samian bowl. On the south-east a Samian cup, and close to the latter a flat piece of bronze 2 in. long and $\frac{1}{2}$ in. wide, decayed and useless. North of the olla a coarse red-ware bottle, and on the west of it a very small dark-ware bottle.

Five objects, the most found hitherto in a group.

598. Lower part of ovoid OLLA with rising base. Fumed grey clay.
599. Narrow long-necked FLAGON, mouth-piece wanting, with drooped body on a rising base. Handle long looped, and joining shoulder and top of neck. Hard bright-red clay.
600. Small FLASK, with globular body. Fumed grey clay with darker surface.
601. BOWL, Samian form 31 Drag., with central stamp ALBIMAI, of about A. D. 160-190; Antonine.
602. CUP, Samian form 33 Drag., with central stamp DIVICI . M.
C.I.L. xiii, 10010, 789, DIVICI . M; vii, 1336, 416.

GRAVE (J.N.)

11-3-1925. Depth 2 ft. 6 in.

Body of a child about 10 to 12 years of age, buried with feet towards the north-north-east. On the left wrist and over centre

86 REPORTS OF THE SOCIETY OF ANTIQUARIES

of body a broad bronze armilla, ornamented with two lines of beaded pattern. One end was compressed to make one of ordinary size fit the small arm of the child.

GROUP CLXXXVI (J.O.)

11-3-1925. Depth 2 ft. 0 in.

A dark-grey pot or beaker and a dark-ware bottle which seem to have been around a dark-grey olla, sherds of which were present. The calcined bones it had contained were present, and showed the shape of the bottom of the olla. Being so near the surface it had probably been frosted.

603. Globular-bodied VASE or FLASK, with cordon at base of neck (upper part of neck wanting). Fumed grey clay; A.D. 150-200.
604. Bulbous BEAKER (edge of rim broken off). Fumed grey clay with eroded surface and scorched reddish on one side.
605. PLATTER or SAUCER, with obliquely outset side. Hard coarse fumed grey clay.

GRAVE (J.P.)

11-3-1925. Depth 1 ft. 9 in.

Remains of two small dark pots. One recognized as a beaker, the other possibly a dark-grey olla. They were very near the surface, and so ruined by pressure and frosting that they were discarded.

GROUP CLXXXVII (J.Q.)

13-3-1925. Depth 3 ft. 4 in.

A Samian bowl and inside it a Samian cup. One or two rusted nails suggested an interment here in a coffin, but there were no signs of it in the ground.

606. BOWL, thick heavy example of form 18/31 Drag., the glaze from the inner surface entirely eroded and partly from outside. Light orange-coloured soft clay. Central stamp in a circle illegible by erosion. c. A. D. 200.
607. CUP, Samian form 35 Drag., decorated with stalked leaves on top rim. Foot-ring wanting.

GROUP CLXXXVIII (J.R.)

13-3-1925. Depth 3 ft. 0 in.

Two amphorae in line with one another due north and south at 10 in. interval. Quite ruinous and soft from decay. Calcined bones in the southern one, over which was a Samian cup. In the northern amphora traces of calcined bones and fragments of a Caistor-ware pot or beaker with slip pattern. The second amphora was more ruinous than the first.

608. Caistor-ware HUNT CUP, bag-shaped, decorated *en barbotine* with stag and hind running to right (broken and part of decoration wanting, perhaps a dog), bordered by little clay studs. 2nd cent.

R.-B. Guide, p. 115, pl. XII, 9-11, A. D. 135-200.

609. CUP, Samian form 33 Drag., *Niederbieber*, pl. I, 9. A. D. 190-260.

GRAVE (J.S.)

13-3-1925. Depth 3 ft. 6 in.

Remains of a pot which might have been either a dark-ware bottle or a very small olla, but much ruined.

GROUP CLXXXIX (J.T.)

13-3-1925. Depth 5 ft. 6 in.

A body buried with feet to the north-north-west, length about 4 ft. 10 in., a young person or child. At the feet another body of an old person, a former interment disturbed by that of the child. Under left foot of child a flint, probably accidental. Arms of child crossed over body, hands resting on abdomen. On the right side of the body were two small black pots or beakers, and on left of middle of body there was a dark-ware dish.

610. Small olla-shaped CUP or BEAKER, with bead-rim, distinct neck, pear-shaped body on a rising base. Fumed grey clay with black varnish. Scorched. Owner's mark scratched on side (see pl. LII).

611. Small olla-shaped BEAKER, with cavetto rim, pear-shaped body, slightly rising base. Fumed grey clay, sandy brownish at core.

612. Small PLATE, of fumed brownish sandy clay with black varnish. Straight, obliquely set sides, bevelled foot and rising base.

GROUP CXC (J.U.)

13-3-1925. Depth 2 ft. 9 in.

A ruined dark-grey pot or olla of rather small size. No other objects near it.

Fragments of a hard brittle fumed grey sandy OLLA, no rim and only part of base.

613. Straight and oblique sided PLATTER, with bevelled foot and flat base. Dark fumed grey smooth varnished clay.
- 613 a. Fragment of a form 33 CUP. Potter's stamp AL . IBIM.

GROUP CXCI (J.V.)

17-3-1925. Depth 2 ft. to 5 ft.

This point was selected for recording many sherds which have been found in an area around it. Some are interesting and others might be missing pieces of pots that have been found. There have been no pot groups for the last 5 feet of our advance. The area of dark matter has contracted to about 10 feet and is decreasing rapidly; and the clean soil is rising, showing that we are nearing the edge of cemetery.

There were 3 or 4 sherds of a very small pot (bulbous) of hard white ware and very pretty blue slip (almost like Wedgwood). There was part of another of softer reddish ware with rather lustrous blue slip surface and a raised flower pattern upon it, and of a roe deer in motion. There were sherds of at least 2 Samian bowls, but insufficient for restoration. Various pieces of iron, horn-cores, oyster-shells, and discarded sherds and rubbish. This was the extreme west limit of the cemetery area.

614. One-handed FLAGON, with four-ringed saucer-mouth on a high raised grooved base. Handle broken off. Very light thin reddish clay with cream slip coating. c. A. D. 200.
615. FLASK or FLOWER-VASE, form 65 Déch., with cordon at base of neck. Fumed grey clay.
616. Part of a small Caistor CUP or BEAKER, bag-shaped with slight carination at the bulge. Base wanting and restored in drawing. Black slip glaze with bluish tinge on white clay. Found with Caistor-ware Hunt Cup. A. D. 135-200.
617. Fragment of Samian BOWL, form 31 Drag., with quarter-round moulding at the junction of side and base, and corresponding concavity on outside.

May, Carlisle, 107.

The fragments include parts of the following: bowl, form 31 Drag., Samian; flagon of smooth buff clay; base of beaker, red slip, grey core; two pieces of late poor Samian ware.

GROUP CXCH (J.W.)

17-3-1925. Depth 3 ft. 0 in.

This area like that on the west is a continuation eastward from the line north to south we began from (working to the centre). We shall now find what there may be in the interval between that line and the eastern edge of the cemetery.

A dark-grey pot or olla. On the south side of it a small dark bulbous pot (beaker). The top of the large pot covered by a flat black-ware dish.

618. OLLA, wide-mouthed, pale fumed grey clay, hard sandy and brittle. Scorched by wood fire.
619. Bulbous BEAKER, Rhenish ware, black glazed and decorated with two belts of roulette notches. c. A. D. 150.
Walters, *Cat. M.* 163, pl. XIX.
620. PLATTER, with straight side nearly upright and thickening upwards. Black polished fumed grey clay.

GRAVE (J.X.)

17-3-1925. Depth 3 ft. 0 in.

Remains of the body of an infant, portion of the skull and a few pieces of the leg-bones the only parts remaining. The embryo and milk teeth were both present, one above another. Iron nails suggested a coffin having been used. Interment was made with feet to the north-west. At the feet a dark-ware bottle (perfect).

621. Black Belgic FLASK, with incipient neck-ring, out-bulged body, and incurved support.

GROUP CXCH (J.Y.)

17-3-1925. Depth 3 ft. 4 in.

A Samian bowl and a coarse red-ware bottle with slight remnant of white slip; both perfect. No remains to account for their presence.

90 REPORTS OF THE SOCIETY OF ANTIQUARIES

622. One-handed FLASK, with bead-lip, neck expanding downwards, wide-bulged shoulder on a flat grooved base and raised foot. Bright red (Boughton) clay with traces of scarlet slip. Two-ribbed handle.
623. BOWL, Samian form 31 Drag., with high-coned base. Central stamp NVMIDIMA of Lezoux.
Walters, *Cat. M.* 1984, A.D. 160-190. Pan-Rock series, *R.-B. Guide*, 126, 11. Owner's marks under base (see pl. LII).

GROUP CXCIV (J.Z.)

17-3-1925. Depth 3 ft. 4 in.

A coarse red-ware vessel of the olla type. At 12 in. from it, on the south-east, a pseudo-Samian bowl of unusual pattern. It was of light shaded material (not from New Forest), and contained mica grains. At the same depth and 27 in. due east of the olla, remains of half an amphora, much dilapidated, containing nothing but a few sherds of a small dark-grey olla.

Hand-made OLLA baked beside the fuel. Hard, sandy and coarse. Slip-coated and inside much flaked, row of stabbed holes below the rim, only a small piece of which was found.

624. BOWL, New Forest imitating Samian form 44 Drag., and 81 Walters. Tile-red clay, with scarlet slip, much eroded. A.D. 250-350.
May, *Silchester*, p. 128, pl. LVI, 100, 4th-5th cent.
Sumner, *Ashley Rails*, p. 22, pl. IV, 3, A.D. 250-350.
Fragment of Samian BOWL with illegible potter's stamp. Antonine period.

GRAVE (K.A.)

18-3-1925. Depth 3 ft. 0 in.

A dark-grey ware bottle of unusual shape, rather roughly made. One side rather pressed in accidentally when it was soft previous to firing. It has a half-round beaded raised line round the middle of the body, and rough wheel-turned rings round the remainder. A small narrow neck. It was quite alone.

625. FLASK, with barrel-shaped body, a protuberance round the middle ringed to represent hoops. Fumed grey clay.

GROUP CXCIV (K.B.)

18-3-1925. Depth 2 ft. 0 in.

A dark-grey pot or olla. On the south side, a dark-ware bottle. On the north-east, a Samian bowl. All the vessels in small fragments owing to nearness to surface. Much black ash of burnt wood around the group.

626. Ovoid narrow-necked OLLA, with cordon at base of neck, and two strong girth-grooves on shoulder, with heavy bead-rim and rising base. Smooth hard fumed pale-grey clay.
627. Bulbous BEAKER, fumed grey smooth clay, brownish at core.
628. CUP, Samian form 33 Drag., with central stamp TAVRICVF of Rheinzabern. A. D. 75-150.
- Fragments only of the grey-ware bottle.

GRAVE (K.C.)

18-3-1925. Depth 2 ft. 0 in.

A dark-grey pot or olla much destroyed by surface pressure. No small pots or other objects.

Fragments of a wide-bulged OLLA, fumed pale-grey clay.

GROUP CXCVI (K.D.)

18-3-1925. Depth 5 ft. 0 in.

Body of an adult person, of about 40, buried with feet to north by west (or nearly north and south). Head fallen upon right shoulder. Arms, as far as elbows, close to body. Left forearm and hand inclined towards waist. Right forearm at right angles to elbow, hand resting on left side of breast. On the right, touching the head, a Caistor-ware pot or beaker. On left of head a dark-ware bowl or dish. Above the left shoulder and touching it, a pewter vessel of small size, probably a small bowl, but too decomposed to show the shape. It was taken up with clay supporting it.

629. Folded bulbous BEAKER, with five oval indentations on the side. Fumed grey clay.
630. Straight-sided flanged BOWL, on a rising base. Black varnished surface. Common type at Richborough in 3rd to 4th cent.

GRAVE (K.E.)

19-3-1925. Depth 5 ft. 3 in.

A body buried with feet towards the east, a small piece of skull and leg-bone only remaining ; no objects with the body.

GRAVE (K.F.)

19-3-1925. Depth 3 ft. 7 in.

Fragments of two black pots of olla type, one with concentric rings below the neck. The fragments occurred over a small flat area of burnt clay reddened to a depth of 2 in. to 3 in., about 5 ft. long and 2 ft. wide. Over it a thick compact layer of oyster-shells had been placed, about 2 in. to 3 in. thick, as wide as the burnt patch but not quite as long. At the east end, part of a single wire armilla, one end having a catch or fastening.

These fragments include a Bronze Age furrowed STORE VESSEL, Belgic OLLA with a cordon at base of neck, and a furrowed bead-rim BOWL.

GRAVE (K.G.)

19-3-1925. Depth 3 ft. 0 in.

A body buried feet towards the north. At the feet, a few fragments of pale red-ware pottery of fine material, probably a bottle. The body was laid parallel with a course of cobble flints, and with head towards the south.

GROUP CXC VII (K.H.)

19-3-1925. Depth 5 ft. 5 in.

A body buried with feet towards the west. At the feet, a small olla-shaped pot (broken). On west side of feet a dark-ware bottle and a small dark beaker. Near the latter, the top of a bone pin. Body had arms crossed from elbows to waist. Probably an old person. One molar decayed, the others worn down.

- 631. Plump BOWL, with neck and out-bent rim. Fumed grey clay with black varnish burnt off in parts.
- 632. FLASK, with neck-ring, the cordon almost invisible. Fumed grey clay with black varnish.
- 633. Olla-shaped BEAKER fumed grey clay, black varnished.

GRAVE (K.I.)

19-3-1925. Depth 3 ft. 4 in.

A body with feet to north-north-west. Legs straight, but the upper part of the body from the waist inclined to the right, head raised as if grave had been made too short. Arms from elbows crossed over body, the right one over chest and the left one over abdomen. Skull much better preserved than usual. There were no teeth in the lower maxillary, and the sockets had been long closed by ossification.

GRAVE (K.J.)

21-3-1925. Depth 6 ft. 3 in.

A body very much decayed, buried with feet towards the south. Teeth much worn down and several missing, so probably an old person. At the feet, a coarse red-ware bottle with wide rim to neck, and spout projecting beyond it; handle and neck broken but present. There were boot nails at the feet, and two lumps of chalk. An iron ring beside the body on the west side, and iron nails along the sides suggested a coffin. Also a few oyster-shells and leg-bone of a bird (partridge?) at the feet.

634. Nipple-mouthed FLAGON, with neck-ring, globular body and moulded foot. Light-brown clay, with traces of scarlet slip. Decorated with a zone of running animals, greyhounds and hare, in barbotine separated by oblique rows of studs.

Cf. *Hengistbury Report*, p. 49, pl. xxv, 7, dated late 3rd or 4th cent.

GROUP CXCVIII (K.L.)

20-3-1925. Depth 1 ft. 8 in.

A much-destroyed group very near the surface. Amongst the fragments were pieces of a dark-grey pot or olla, a red-ware bottle with handle, Caistor-ware pot or beaker, with rather long tapering body and small mouth, and of a dark-ware dish.

Belgic URN, smooth fumed grey clay, notched cordon below rim, which is entirely wanting.

635. Tubular-mouthed FLAGON, decorated with three zones of roulette notches. Thin smooth brown clay, with dark brown to black slip.

94 REPORTS OF THE SOCIETY OF ANTIQUARIES

636. Tall bulbous BEAKER, with pentice moulding below neck, and bulge decorated with roulette hatching. 3rd to 4th cent. type.

Cf. *R.-B. Guide*, p. 121, c. A.D. 300.

Fragments only of dark-ware dish.

GROUP CXCIX (K.M.)

20-3-1925. Depth 4 ft. 2 in.

A body buried with feet towards the south-west ; very much decayed. On south side of feet a dark-ware bottle, a small black pot or beaker, and a flat dark-ware dish.

637. Narrow-necked FLASK, with cordon at base of neck, pear-shaped body on a rising base, derived from Belgic prototype, form 65 Déch. Pale fumed grey clay, heavy in weight.

638. Olla-shaped CUP or BEAKER, with bead-lip and distinct neck. Fumed grey clay with brownish core, sandy black coated.

639. PLATTER, with straight, oblique-set side.

GROUP CC (K.N.)

23-3-1925. Depth 4 ft. 6 in.

A body buried feet to north. Skeleton in good preservation. Skull kept (see p. 103.) Adult of middle age, all teeth present, molars a little worn. Length about 5 ft. 8 in. On right side of head and close to it a large beaker of thin red to brown ware, coated with dark slip, indented sides (thumb-pot pattern). On left side of head, a dark-ware dish with small specks of corroded copper amongst the contents, but no object. A small black pot or beaker found 2 ft. above the body, but probably did not belong.

This group is now in the British Museum.

640. Folded BEAKER, with five oval indentations. Fumed grey clay.

641. Straight-sided PLATTER, on a rising base.

642. Upper portion of OLLA with cavetto rim overhanging the side. Constantine period, A.D. 300-350.

May, *Silchester*, p. 160, pl. LXVI, 195-8.

GRAVE (K.O.)

1-4-1925. Depth 2 ft. 0 in.

The following were found when the solid ground on the north-west of the cemetery was being searched for possible stray interments:—a small dark squat pot with wide mouth, another of red ware, both hopelessly destroyed from fracture and frosting. They occurred many feet from where any had been found in the cemetery, and there was no sign of any other object near them.

GRAVE (K.P.)

An odd skull found during the above search; see p. 103.

ODD POTS

643. One-handled FLAGON (handle wanting), with three-ringed cylindrical mouth-piece, a slight offset at base of neck, and zone of black varnish on the bulge. Fumed grey hard clay.
644. Belgic FLASK or BOTTLE (mouth wanting), ovoid, with cordon at base of neck, and zone of roulette notches beneath, on a slightly-beaded foot and rising base. Hard fumed grey clay.
645. BOWL, Samian form 18/31 Drag., with central stamp IVLLVS F in incised circle.
646. Bulbous BEAKER, with tall neck, and foot separated by a groove. Light-brown clay.
647. BOWL, Samian form 18/31 Drag., with central stamp ILLIXO. Glaze much eroded from inside base. A.D. 100-150.
648. CUP, Samian form 35 Drag., decorated with stalked leaves on top of the rim *en barbotine*. 2nd cent.
649. Narrow-necked FLASK, with everted rim, sagging body, rising base. Fumed grey clay with darker surface.
650. CUP, Samian form 33 Drag., with central stamp NAMIL CROESI.
651. Lower part of pot with conical body on a rising base. Fumed grey clay with reddish core.

96 REPORTS OF THE SOCIETY OF ANTIQUARIES

652. BOWL, Samian form 31 Drag., with high coned base and carinated and curved side (latest variety of the form), with 4 finger-marks of potter made in dipping the vessel into the slip glaze. Central stamp mutilated and illegible. Clay below glaze with air bubbles or almost vesicular.
653. Globular FLASK, with stopper-mouth, blunt neck-ring, incurved support and rising base. Hard pale fumed grey clay. A. D. 200-260.
654. Wide-bulged, nearly globular FLASK, with narrow neck (mouth wanting), shallow cordon and groove below neck, and slightly incurved below. Slightly raised base. Hard light-grey fumed clay.
655. Two-handled LAGENA, much broken and restored, with plate-mouth, three-ribbed handle, oblate spheroidal body. Decorated with three rows of roulette notches on the rim, and four rows separately on the shoulder. Buff surface pale-red inside. Early 2nd cent.

GROUP CCI (K.Q.)

18-3-1926. Depth 3 ft. 0 in.

A large dark-grey urn (cracked), covered with platter, and containing calcined bones. On the west of it a large bottle.

The spot where the urn rested was within a few inches of an excavation made by Mr. Whiting in 1923 in Syndale Park, south of the present London road. Two coins were found on the same day, not connected with the burial, and both illegible.

656. URN with ovoid body and thickened rim, and two zones with wavy pattern on shoulder, and burnished black zones. Sandy grey clay.
657. FLASK with ovoid body with cordon on neck. Buff ware, black-coated.
658. PLATTER with almost vertical sides, bevelled at base. Sandy buff clay with grey core, black-coated.

GROUP CCII (K.R.)

19-3-1926. Depth 3 ft. 0 in.

Very similar to the previous group. The urn was smaller and perfect, as also was the bottle on the west of it. Urn contained only calcined bones. An illegible coin found.

A few feet south of these last two groups the trench of Watling Street was found, at a depth of $4\frac{1}{2}$ ft. It was filled with black matter, and there were oyster shells and potsherds mixed with it.

659. URN of grey clay, ovoid form, with owner's mark (see pl. LII) on broad bead rim which bears traces of a leaden cover.
660. FLASK or bottle with stopper-mouth and neck-ring, globular body. Fumed grey clay.

NOTE ON THE GLASS

The observation that there are not many items of outstanding artistic merit, value, or interest amongst the vast number of objects recovered from the explored sites has given rise to the opinion that in all probability few people of affluence were buried in these cemeteries.

Large, and therefore expensive, cinerary urns of glass such as have been found in other burial grounds are entirely absent; small glass phials and bottles are fairly frequent, and where recovered in or with pottery have been recorded with their appropriate groups, and they will be found illustrated white on black as nos. 141, 144, 146, and so on. In urn 148, besides the complete phial 151, the fragments of another apparently exactly like it were discovered, but they had been melted, probably on the funeral pyre. These fragments and a few indistinguishable pieces of bone, bronze, and iron cannot be illustrated; but amongst them was an unbroken, slightly concave glass disc about $2\frac{1}{8}$ in. in diameter. Similar glass discs were also found with Group XXVII (92-3), Group XXXI (101-3), Group XXXVIII (127-32), and Group XLIII (146-51); and there was one on the hip of a female skeleton uncovered in 1923 and photographed *in situ*, Group XLV (157-8), reproduced on pl. LXI.

Similar glass discs to these were found in burial urns discovered at Ford near Reculver, recorded by our Fellow Dr. T. Armstrong Bowes, of Herne Bay, in the *Antiquaries Journal*, iv, 24; the only other one we have yet come across in any museum is at York.

During his excavations in the cemetery in 1925, Col. Hawley came across fragments of similar very thin glass, apparently silvered, and in as good order as any modern mirror (see p. 31). On analysis in the Science Laboratory at the British Museum it

was found to be covered with pure lead, and the analysts' further report is as follows :

'The discs of glass with apparent silvering on them suggest that they are pieces of a convex mirror, and they have all the characteristics of such mirrors as were made in Nuremberg about A.D. 1300. The coating seems to be pure lead. No trace of tin or mercury could be detected in the deposit, either that remaining as metal or what had changed into lead carbonate from having been buried. The diameter of the spherical glass balloon of which such pieces would form part would probably be 12 to 15 in. The thickness of the glass is about $\frac{1^9}{1600}$ of an inch (0.012 in.), and the thickness of the lead-coating about $\frac{2}{1600}$ of an inch (0.00125 in.), that is, about $\frac{1}{80}$ and $\frac{1}{800}$ of an inch respectively.

'In Roscoe and Schloremmer's *Chemistry* (chapter on tin), after describing the making of mirrors with tin amalgam, is the following : "It is, however, clear, that before amalgam was used, a surface of metallic lead was employed for obtaining a mirror as early as the 13th century, when such mirrors were common. These were curved, and were prepared, as Beckmann describes in his *History of Inventions*, from large glass globes, into the interior of which a mixture of resin, molten lead, and sulphide of antimony was introduced, the fluid mass being poured over the surface until it was all covered with a thin film. The globe was then cut into pieces, and the mirrors thus obtained were often employed as ornaments. A guild of glass-mirror makers existed at Nuremberg in the year 1373 ; whether they made mirrors according to the above process is doubtful, but they, as well as French workmen, sold products of their art in the Venetian market up to the year 1500."

When describing the above-mentioned interesting burial of a woman (Group XLV), a photograph of which will be found on pl. LXI, and a complete account in *Archaeologia Cantiana*, vol. xxxviii, p. 131, it was remarked : 'Upon the hip of the skeleton was one of the thin glass discs $2\frac{3}{8}$ in. diameter, as was frequently found in the cinerary urns.' This disc has been preserved with some of the original earth behind it, and it still appears to have the mirror coating between the glass and the clay. Although the analysts' report contained the words 'these mirrors can hardly be Roman', we must differ in opinion from them on that point ; Group XLIII, p. 51, *op. cit.*, is conclusive. We would opine that the position of this one indicates that the ladies' vanity mirrors were buried with them as well as their scent bottles.

It is satisfactory to note that the disputed question as to the probable use of these thin glass discs which had puzzled us ever since they were first recorded in the *Antiquaries Journal*, iv, 24, and which aroused further controversy in 1921-3, should be so well explained by the lucky discovery of some perfect pieces by Colonel Hawley in 1925. It will be noticed that Sir Arthur Keith's report on the skulls begins with this one under reference G.G. (1923 sequence—afterwards called Grave Group XLV). The woman was buried 8½ ft. deep, and one of her bangles had silver-gilt beads on a bronze wire—the only sign of gold noticed throughout. Pots 155 and 156 were in graves adjoining that of the woman.

VARIOUS METAL AND BONE OBJECTS

(Illustrated on pls. LVII to LX)

BRONZE BROOCHES.—No new types, so far as the writer is aware, were discovered, but two illustrations of the most common types are reproduced:

Pl. LVII, fig. 1 was found with Group XLI, and was first recorded in *Arch. Cant.* xxxviii, 126.

Pl. LVIII, C.G. was exhumed by Col. Hawley, Grave Group XCVIII. Many similar incomplete specimens are preserved.

In 1925 an earth digger, from a brickyard a few hundred yards north, brought to Col. Hawley what may be considered the most ornate brooch in the Museum; bronze, studded with silver knobs down the back-bone. Although not actually found in the cemetery, it indicates habitation in the area, probably in the early part of the first century. Not illustrated.

BRONZE BRACELETS.—Many interesting examples were found in the earlier diggings. For the blocks on pl. LVII we are indebted to the Kent Archaeological Society.

Pl. LVII, fig. 1. Child's bracelet—has an expanding joint still in good working order; with it was another similar one, but more decayed. The one shown was analysed and found to contain 82.9 per cent. copper, 12.4 per cent. tin, and 1.4 per cent. lead. See *Arch. Cant.* xxxviii, 126.

Pl. LVII, fig. 2. Grave Group LXII. See *idem*, 146. Found in urn no. 212 were the typical snake-pattern bracelet and another which had twenty-four jet beads, eleven on twisted bronze wire comprising one half of the bracelet, and thirteen on the other

half. With these two were two others not illustrated, also four finger rings, one of which is illustrated alongside.

The objects on plates LVIII to LX have their grave references and need no further explanations.

Skeleton F, on which was found the twisted bronze bracelet, is not elsewhere mentioned. It was one of the two exhumed in 1923 in the shrubbery south of the present London road.

The questionable bronze object was discovered in the field adjoining Stone Church in 1926, and the leaf-shaped toga fastener was found at the same time. Col. Hawley prepared a delightful little sketch showing how this one, with its fellow, would be sewn on to the cloth, the two hooks passing through a ring. Unfortunately his sketch cannot now be traced.

LEAD AND PEWTER OBJECTS

All metal of this nature has so oxidized or otherwise perished in the course of time that it was impossible to say if the objects noticed were trays, dishes, or the more common lead canisters. In *Arch. Cant.* xxxvi to xxxviii some metal vessels are recorded; all of them are incomplete, and the analysis of some of the metals is given. Traces of several other vessels are recorded subsequently. Urn no. 104 had been covered with lead; some parts of it remain round the neck to this day.

The only object discovered by Col. Hawley in his excavations that can be illustrated is the questionable fragment (pl. LIX, B.M.) which is a metal of this type, but has not been analysed.

THE COINS

Roman coins to the number of sixty-four, ranging from Claudius to Arcadius, were found during the excavations, and have been catalogued by our Fellows Mr. G. C. F. Hayter and Mr. Whiting in *Arch. Cant.* xli, 197. It is only necessary here to draw attention to the four found in a burial group (CI (C.K.) 345) now in the British Museum, this being the only clear case of association but not good evidence of date, as all were much worn.

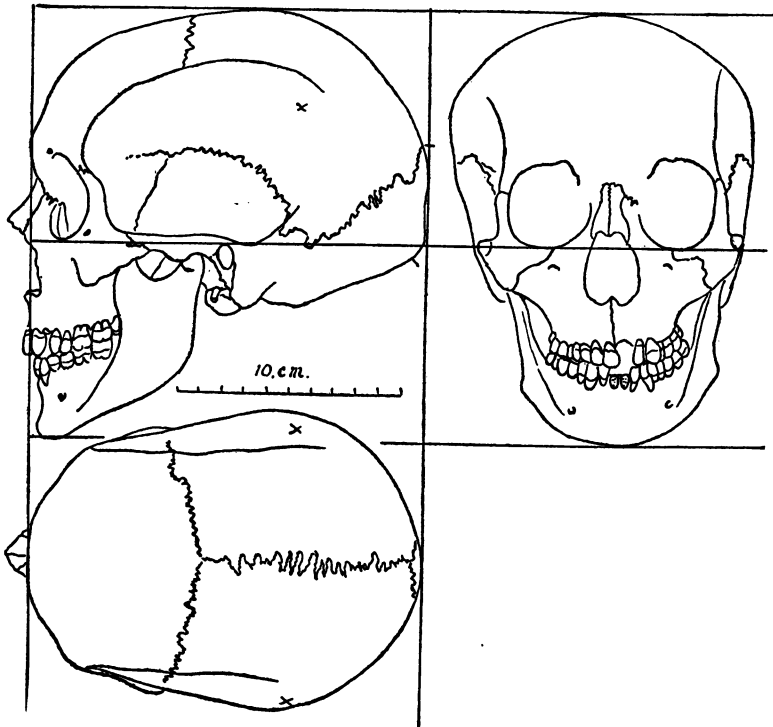
*Report on the Human Skulls from a Roman Cemetery
at Ospringe*

BY SIR ARTHUR KEITH, F.R.S.,

Conservator of the Museum of the Royal College of Surgeons
of England

The skulls submitted to me from this cemetery were the following :

- (1) G.G.¹ The complete skull of a woman of about forty years of age, perhaps rather younger. She was of the type I shall describe as ROMANO-BRITISH, all her features being pronouncedly feminine, her face of the oval Madonna type.



Skull G.G. from Group XLV ; see also pl. LXI.

¹ This grave is in the series excavated in 1923 (see *Arch. Cant.* xxxviii, 130); nos. 2 and 3 are not elsewhere recorded.

- (2) A.A. A woman's skull of the same type and character as the above, only somewhat older and lacking the lower jaw. Her frontal bone is divided by a metopic suture. It was in the grave adjoining the last.
- (3) S.S. From a skeleton found in the shrubbery and marked by me S.S. It is that of a big-headed woman but of a type different from the two mentioned above. The skull is wide and approaches what I shall describe as the GAULISH type. Her teeth are but little worn; the sutures of the skull are unclosed, so I judge her to be between 30 and 40 years of age.
- (4) G.B. The skull of a woman of the rounded or Gaulish type, older than the last, probably about 50 years of age. Unfortunately her skull has been somewhat deformed by earth pressure. All of her back teeth had been lost from disease.
- (5) K.N. The skull of a rather small-headed man with strong jaws. The masculine characters of the skull are not pronounced. His teeth are but slightly worn, and the sutures of the skull are unclosed, so I regard him as being between 30 and 40 years of age.
- (6) K.P. The roof and sides of a skull of a large-headed man who represents, I think, a true ROMAN type. The face and jaws are unfortunately missing. He was probably about 40 years of age or perhaps older.

Besides the representations of these four women and two men, there are parts of at least four other individuals.

A girl of 12 or 13 years of age (M.L.) is represented by the bones of the face and forehead; there is the lower jaw of a child aged 3 years; there is the lower jaw of a woman of 50 or more, and the large edentulous jaw of a man which may have been part of skull K.P., but I do not think this is so.

My desire to examine the remains of the people found at Ospringe arose in this way. A year or two ago I had an opportunity of examining the human remains from burials of the Roman period found near Sevenoaks, and found them to be of the round-headed or Gaulish type, which still prevails in the people of France who live to the south of the Seine. I had found this round-headed or Gaulish type represented in London

graves of the Roman period, showing that it was in the south-eastern parts of England during the Roman period. Further, many of the skulls which my friend Professor F. G. Parsons describes from the crypt at Hythe, representing burials of Kentish people in medieval times, were of the Gaulish type, from which I inferred that there must have been a considerable Gaulish settlement in Kent during or before the Roman occupation; and suspected that these were the settlers whom Caesar had described as *Belgae*.

On the other hand the type of man and woman met with most frequently in the south and east of England in graves of the Roman period is that which is usually described as the Romano-British type—one which is easily distinguished from the Gaulish type. In this Romano-British type the skulls are not round but relatively long, their width being some 76 or 78 per cent. of their length. In the men the length of the skull is often about 190 mm., and its width about 144 mm. But the outstanding feature is the relative flatness of the crown or vault of the head and the sharp angle at which the vault dips down in front to form the steep square and relatively wide forehead. The face has usually regular features, not unlike those ascribed to Julius Caesar, the nose often prominent, the chin pointed, and the face of medium length, rather wide in comparison with the length. But the cheek-bones are not prominent and the jaws have not the width, nor the face the flatness, which is seen in the Gaulish type. I have not been able to trace this type in its purity to any of the peoples, past or present, on the Continent, but it does occur and not unfrequently amongst modern French people who occupy that part of France which lies north of the Seine. Does our Romano-British type represent the *Belgae*?

Then there occurs another type to which I apply the provisional name of *ROMAN*. I give this name because the type occurs so often in cranial collections which represent Italians and Etruscans of the Roman period.

The skulls are usually capacious, of great length, narrow in relation to the length, with high cranial vaults and usually prominent supraorbital ridges. If the face is preserved the nose is usually found to be prominent and also wide: the jaws are strong, the face is of medium length and usually of more than average width.

Now in the six adult skulls found at Ospringe (four females and two males) these three types are represented. No. 1 (G.G.)

and no. 2 (A.A.) are perfect specimens of the Romano-British type—both of them women. The cranial and facial measurements are given in Tables 1 and 2. No. 1 has facial features which are often seen in living Englishwomen—an oval face of medium length, with straight nose; forehead, nose, jaws and chin make up about equal parts in the total length of the face. The face is sharp or wedge-shaped, the nose standing well forward from the lateral margins of the orbits (the top of the bony nose in no. 1 is 36 mm. in advance of the lateral margins of the orbits). The chin is well developed, not pronounced; it is rounded or pointed in form. In no. 4 (G.B.) we have the skull of a woman exhibiting typical Gaulish features. Unfortunately the forehead has been deformed from earth-pressure, but the rest of the skull is normal and one can see that she belonged to a brachycephalic people, her cephalic index being over 82. The deformation of the forehead prevents an accurate estimate of the facial dimensions, but it is evident that the face was short and relatively wide as well as flat. Her head is small, but in no. 3 (S.S.) the head is large and its features I regard as resulting from a mixture or hybridization of the Gaulish and Romano-British types. Her facial features are also intermediate.

No. 5 (K.N.), a man's skull, so one judges from the strength and width of the jaws and the prominent character of the supra-orbital ridges; and the flattened characters of the facial features and width of jaws lead me to suppose that he was in the main a Gaul in origin. The cranial or brain-containing part of his skull is small and certainly not Gaulish in its proportions, the width being 78·8 per cent. of the length.

We may presume that he was an intruder—at least he did not belong to the Romano-British type as defined above. On the other hand no. 6 (K.P.), certainly a male, has the cranial dimensions and form which one so often sees in Italian collections of skulls of the Roman period. Unfortunately his jaws and face are missing, so that we are deprived of an important guide to his race.

The cranial fragments of the young girl and the isolated lower jaws do not help us materially in unravelling the racial nature of the Ospringe people. I have made very full measurements of the features presented by all the skulls, but there is no need to give more here than has been reproduced in Tables 1 and 2. The unworn or slightly worn condition of the teeth show that these people were living on a lightly prepared dietary, not unlike,

as regards preparation, that of the present day. In the case of no. 1, a woman, all the teeth were sound and free from disease at the time of death; but in her front teeth is to be seen a condition which has become very common, a tendency to the crowding of the front teeth, in both upper and lower jaws.

In no. 2, also a woman, most of the teeth have fallen from the sockets after death, but these sockets are healthy, except in the case of the first upper molar on one side, which had been lost from disease. In woman no. 3, all the teeth were apparently healthy at the time of death, but one notes in her dentition a tendency to a marked reduction in size of the wisdom teeth, one of those in the lower jaw having never been formed. In the case of woman no. 4 the palate is of small size and all the upper molar teeth and most of the lower have been lost from disease. In the case of the man (no. 5) all the teeth were present and sound at the time of death, save that the first upper molar on the left side had been lost from disease. It is clear that these past inhabitants of Ospringe had better teeth than any similar number of modern Kentish people of a like age. Thus we see that even in the Roman period the racial constitution of the people of Kent had become a complex problem, and that civilization was producing changes in their teeth and jaws.

TABLE No. 1.

CRANIAL MEASUREMENTS (in millimetres).

		A.	B.	C.	D.	E.	F.	G.	H.	
(1)	SKULL G.G.	♀	179	132	77.5	123	107	113	93	97
(2)	SKULL A.A.	♀	177	134	75.6	129	107	115	94	98
(3)	SKULL S.S.	♀	187	151	80.7	120	110	117	97	101
(4)	SKULL G.B.	♀	177	146	82.5	120	107	122	99	105
(5)	SKULL K.N.	♂	175	138	78.8	—	113?	118	88	101
(6)	SKULL K.P.	♂	193	143	74	139	115	125	97	108

A. Maximum length of Skull.

B. Maximum width of Skull.

C. Cephalic index.

D. Base-bregmatic height.

E. Auricular height.

F. Maximal frontal width.

G. Minimal frontal width.

H. Supra-orbital width of forehead.

TABLE No. 2.

FACIAL MEASUREMENTS (in millimetres).

		A.	B.	C.	D.	E.	F.	G.	H.	J.	
(1)	SKULL G.G.	♀	72	117	116	87	53	24	31	94	85
(2)	SKULL A.A.	♀	70	—	120	86	51	21	27	94	82
(3)	SKULL S.S.	♀	70	113	122	85	52	23	27	100	95
(4)	SKULL G.B.	♀	65	110	131	—	—	24	—	85	81
(5)	SKULL K.N.	♂	69	115	125?	91	52	24	31	—	—
(6)	SKULL K.P.	♂	—	—	—	—	—	—	—	102	—

A. Length of upper face.

B. Total length of face.

C. Bizygomatic width of face.

D. Bi-maxillary width at lower end of malo-maxillary sutures.

E. Height of nose.

F. Width of nose.

G. Depth of symphysis of lower jaw.

H. Basi-nasal length.

J. Basi-alveolar length.

ADDENDA ET CORRIGENDA

THE late Mr. George Payne's *Collectanea Cantiana* is not elsewhere referred to in this report, but it contains much useful information regarding the roads and still earlier finds in the neighbourhood generally.

The late Mr. Charles Smith published in the *Journal of the Faversham Institute* many old records of the neighbourhood, including papers on Roman discoveries and Durolevum written by Mr. George Bedo about 1870 to 1880; these can be referred to at the British Museum, or bound copies indexed are available in the Reference Library at the Faversham Institute, and the private library of the present curator of the Maison-Dieu Museum, Ospringe.

The *Archaeological Journal*, vol. xxxvi, p. 298, contains the best concise summary of all discoveries made in this neighbourhood up to date. The following corrections should be made: for *Arch. Cant. lx* read every time *ix*, and in bottom line, page 300, for 8 yards read 80 yards (see pl. LXIII in this report).

Since this report was completed a group of pottery, including a double-handed Samian plate of unusual form (15 Drag.), has been found at Clapgate at the edge of a disused brickfield; other early and unusual types of pottery are known to have been discovered in the vicinity.

The bulbous beaker (pl. 1, no. 6) should be compared with the pot found in a kiln at Felmingham Hall and described in *Arch. Journ.* iii, 247.

Grave Group XLV (pp. 97, 98, and pl. LXI) was one of the richest in the cemetery. The female skeleton had on her wrist the only trace of gold found in the cemetery, a silver-gilt bracelet; and both a bronze and a shale armlet in addition: a glass phial was beside her cheek and her mirror in her girdle (or was this last an early form of

the crystal ball so often found with Saxon women of a few generations later?); she also had her earthenware drinking-vessel placed in a pewter tray or dish, and very few other examples of metalware dishes were used at the funerals of her neighbours. Not a single bronze vessel, nor a lamp of any kind was found.

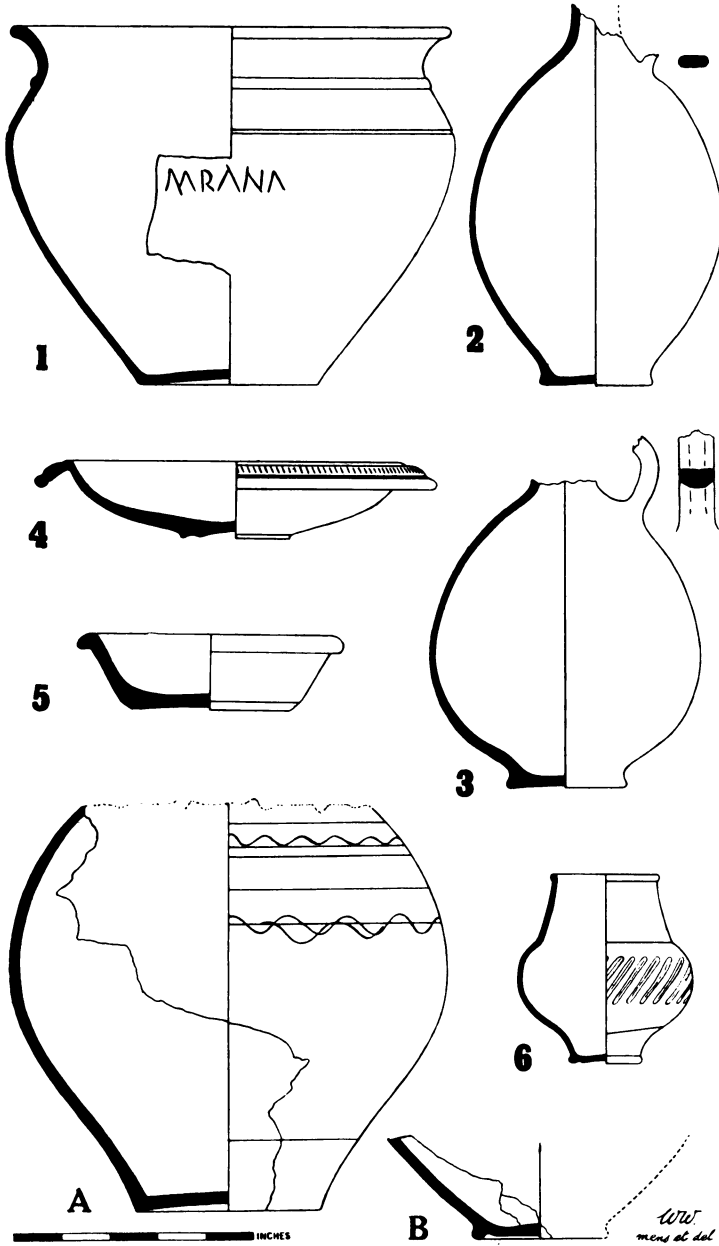
The Rhenish-ware Cup no. 123 (pls. xv and lvi) should be compared with May's *Silchester*, pl. xxxiv, no. 45, p. 95; also *Richborough*, First Report, pl. xxx, no. 134, p. 106; and to two in the Letchworth Museum, see *Arch. Journ.* xxxvii (1931).

The Map (pl. lxii) shows near the burials 'A' and 'L' the supposed Neolithic factory mentioned on page 1 of this report. It was just north of the cemetery 'D' that (according to the tradition of the last generation of gravel-pit workers) many flint tools, bones, and much pottery were found; doubtless the implements exhibited to the Society which are referred to in *Archaeologia*, lxii (1911), 524, and illustrated in *Proceedings*, xxiii, 450, came from this spot.

On pl. lxii at 'M', when brick earth was being excavated somewhere about 1910, much burnt clay was encountered. The writer was unable to examine it personally but was informed after its complete destruction that there had apparently been early brick or pottery kilns at that point.

PLATES

PLATE I

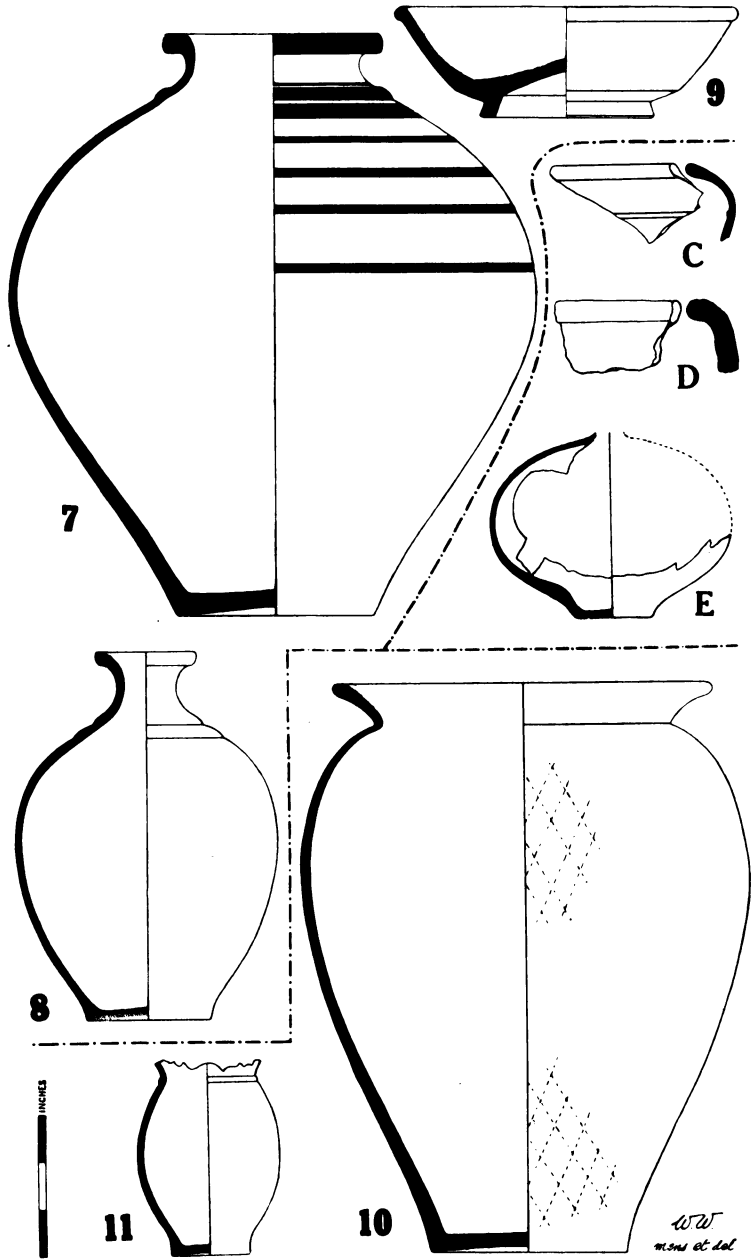


Pottery from No. 1 Cemetery, Ospringe, excavated in 1920

For description see *Arch. Cant.*, xxxv

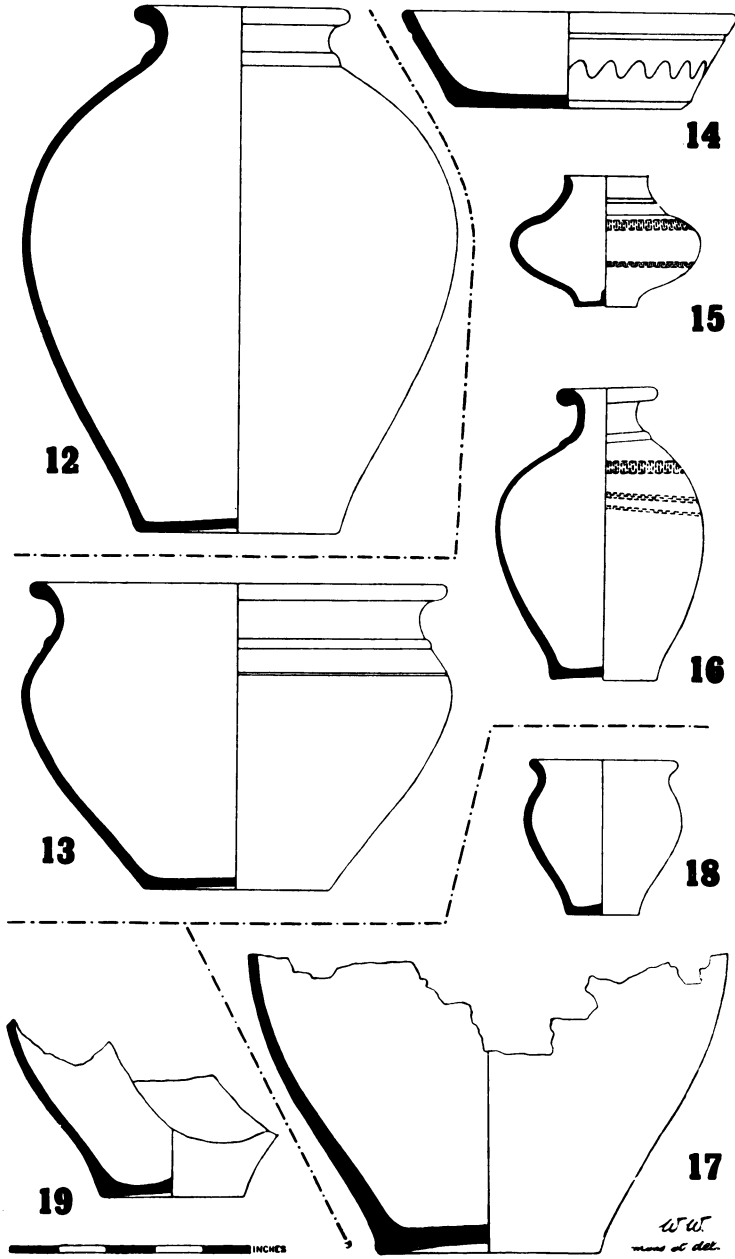
For no. 6 see note in Addenda, p. 106

PLATE II



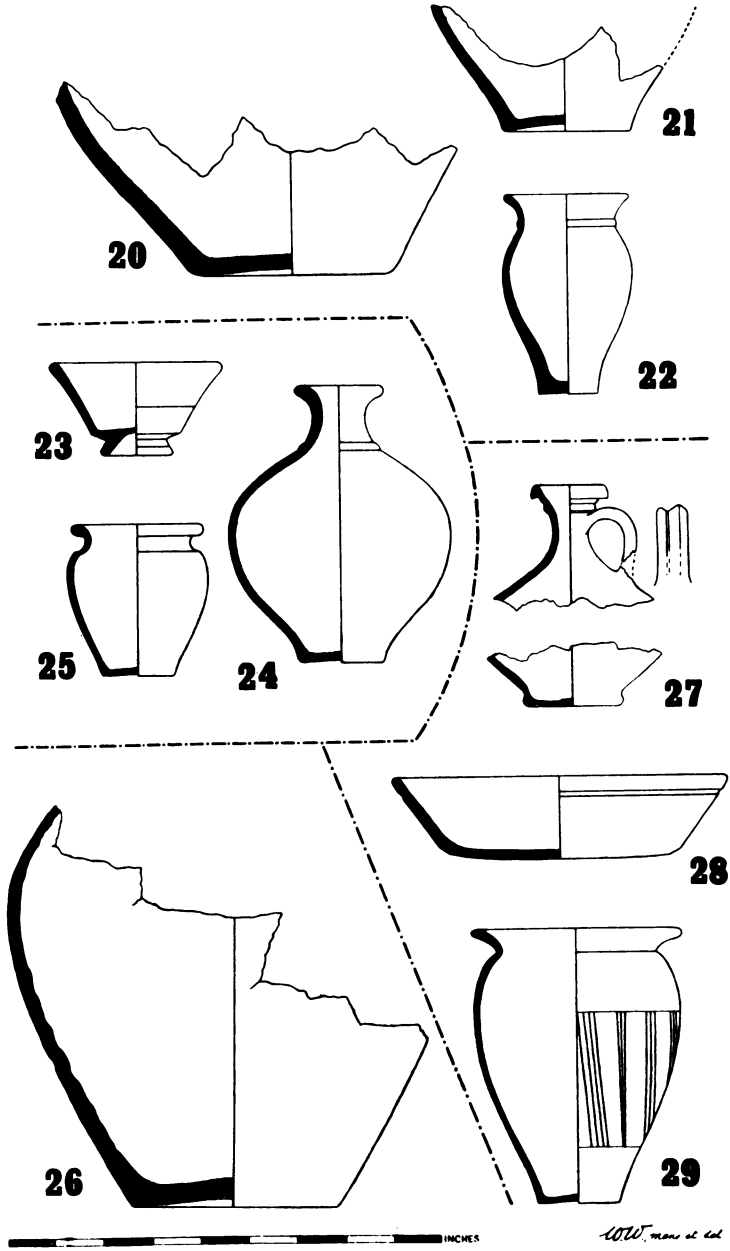
Pottery from No. 1 Cemetery, Ospringe, excavated in 1920
Group I (7-9); Group II (10, 11)
For description see *Arch. Cant.*, xxxv

PLATE III



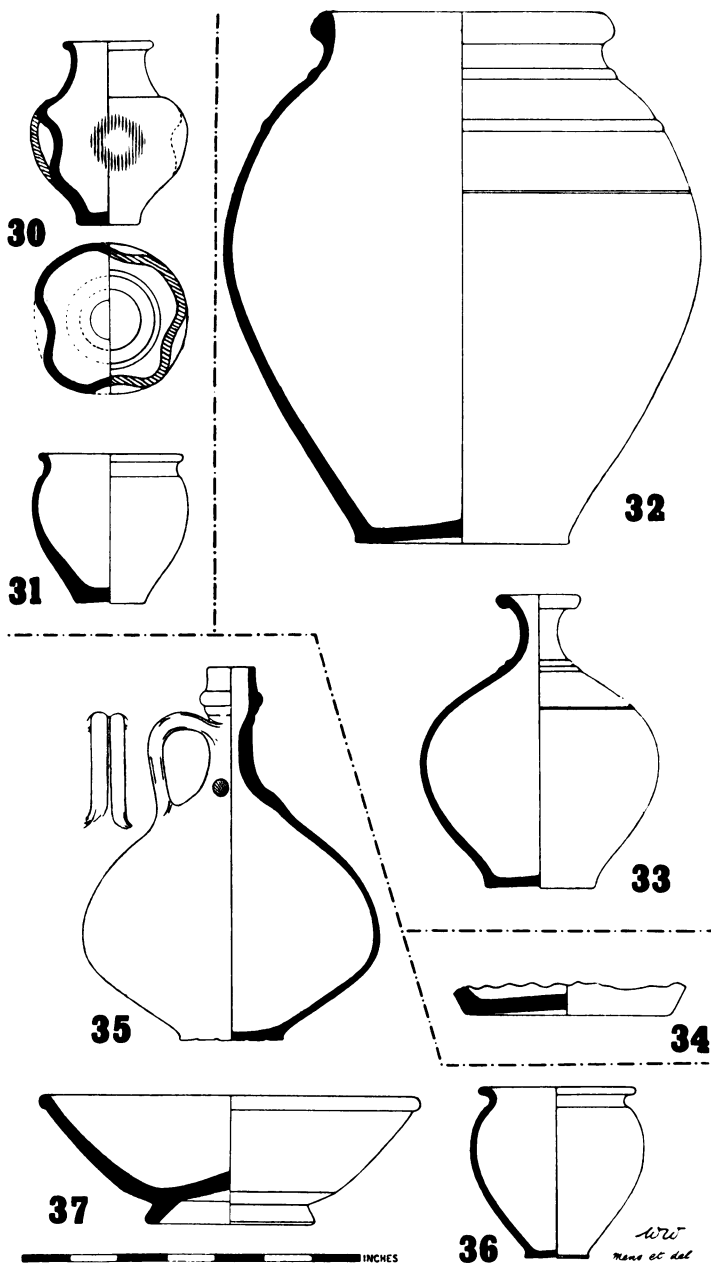
Pottery from No. 1 Cemetery, Ospringe, excavated in 1920
 Odd pots (12 and 19); Group III (13-16); Group IV (17, 18)
 For description see *Arch. Cant.*, xxxv

PLATE IV



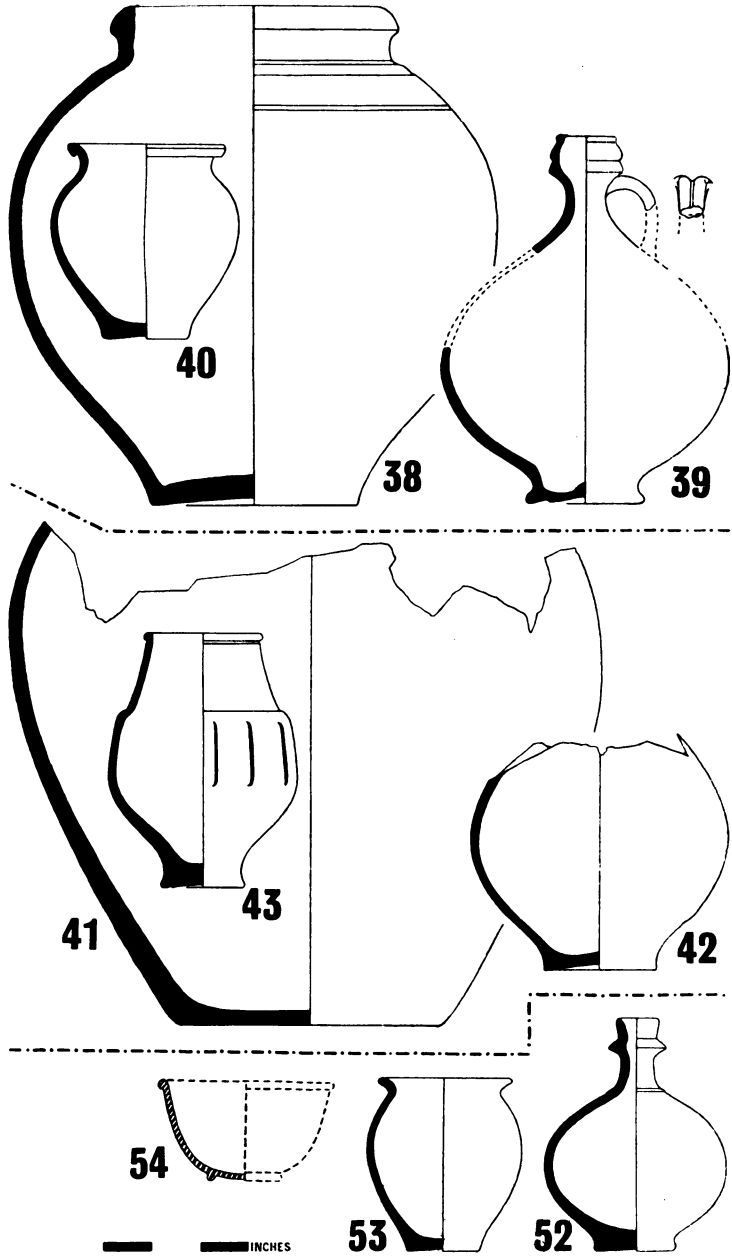
Pottery from No. 1 Cemetery, Ospringe, excavated in 1920
 Group V (20-22); Group VI (23-25); Group VII (27-29)
 For description see *Arch. Cant.*, xxxv

PLATE V



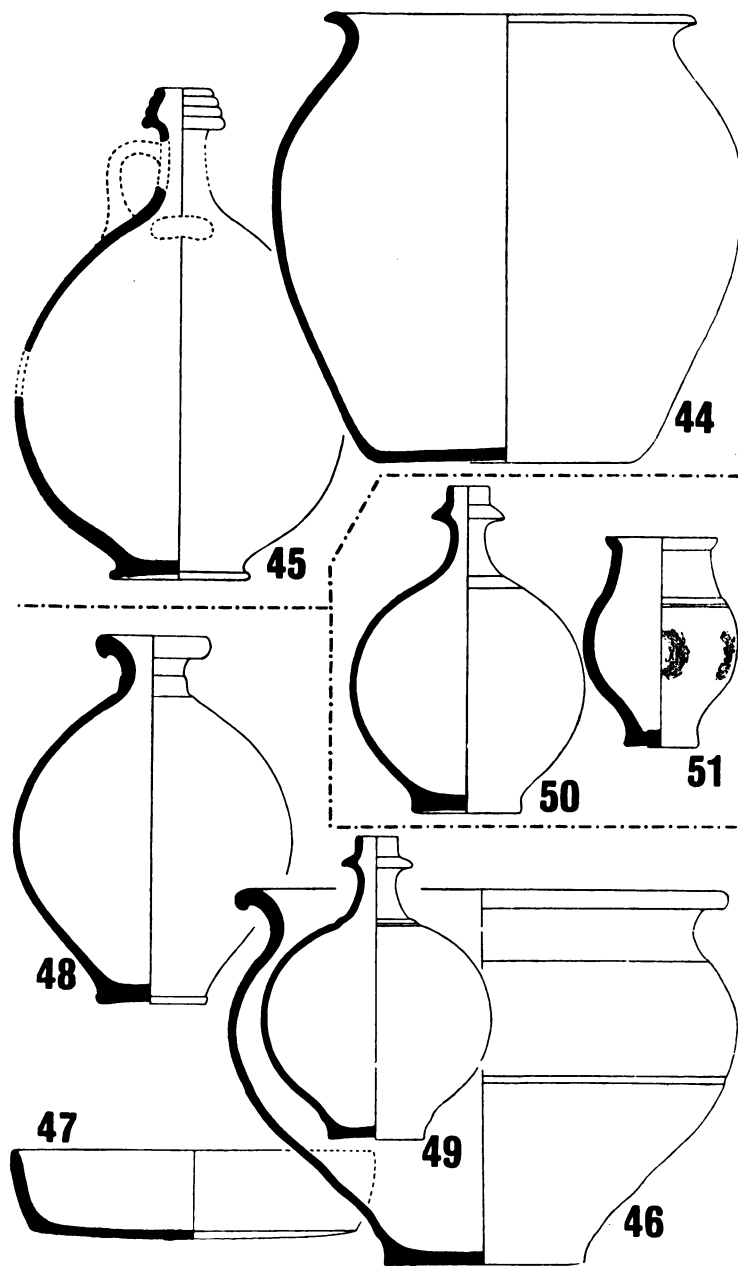
Pottery from No. 1 Cemetery, Ospringe, excavated in 1920
 Group VIII (30, 31); Group IX (32, 33); Group X (35-37)
 For description see *Arch. Cant.*, xxxv

PLATE VI



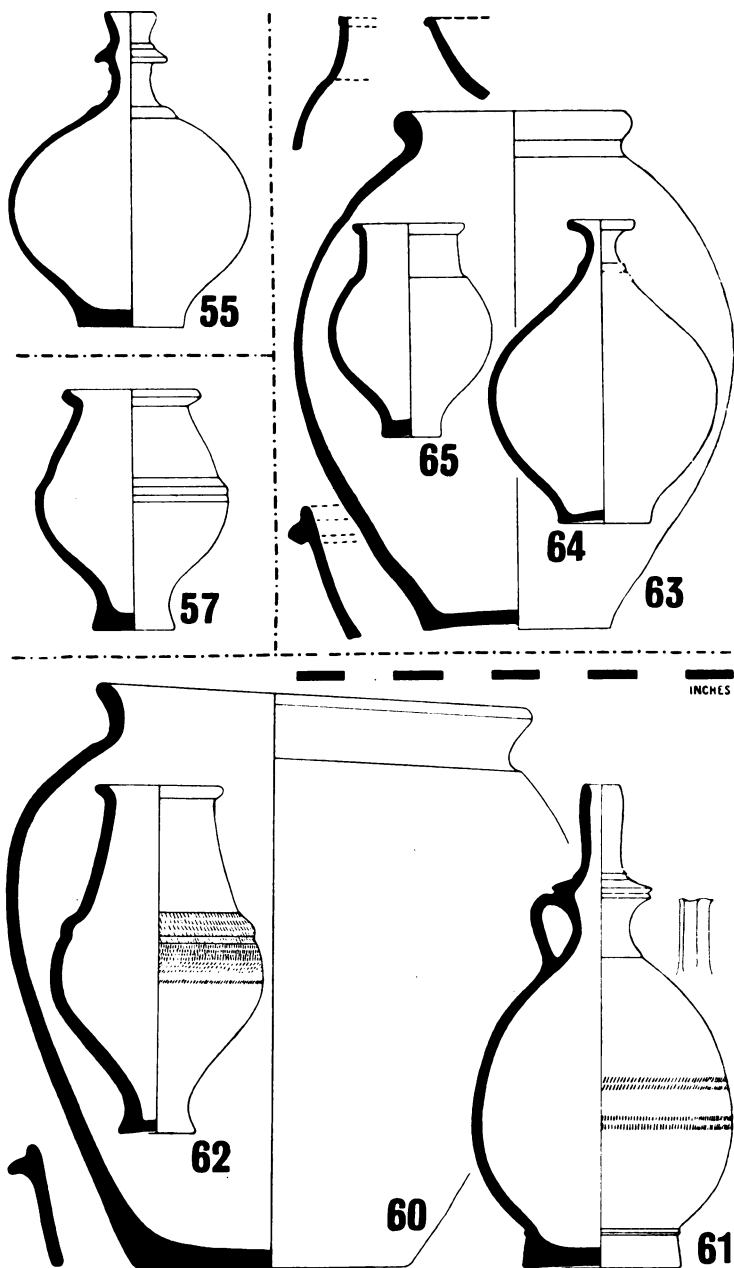
Pottery from No. 1 Cemetery, Ospringe, excavated in 1921
 Group XI (38-40); Group XII (41-43); Group XVI (52-54)
 For description see *Arch. Cant.*, xxxvi

PLATE VII



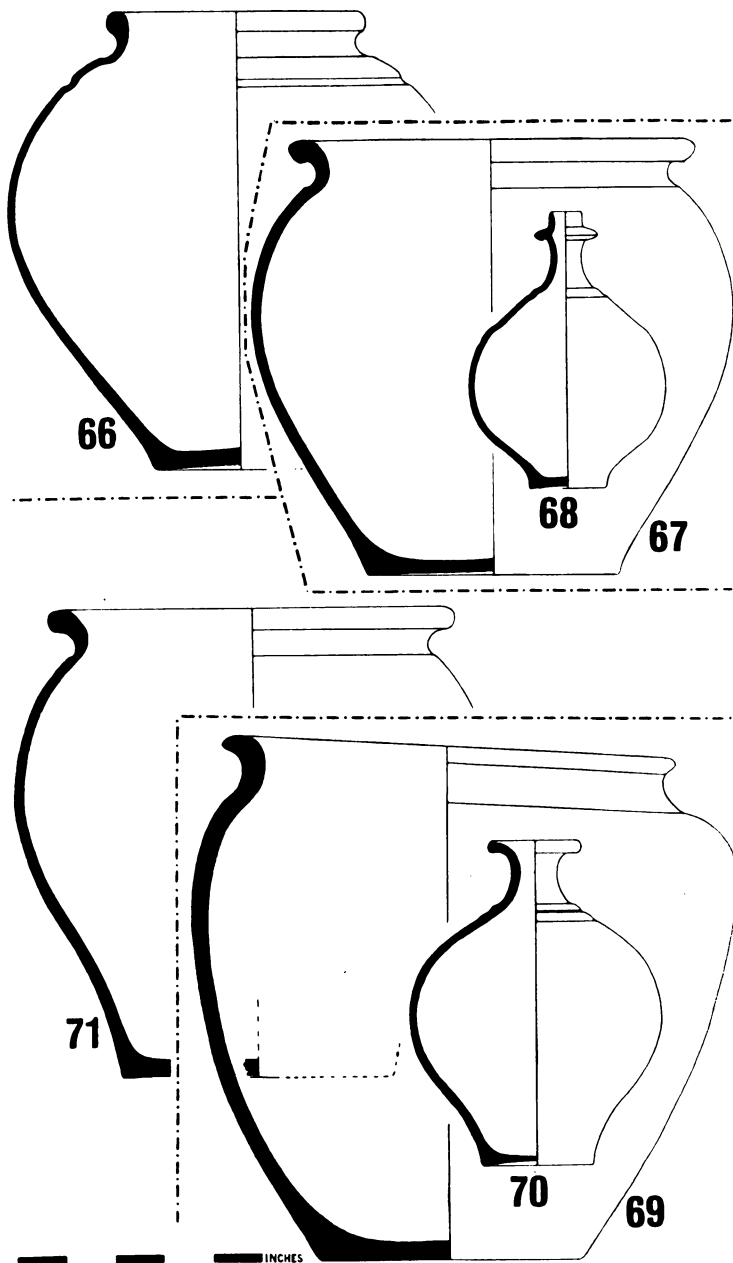
Pottery from No. 1 Cemetery, Ospringe, excavated in 1921
Group XIII (44, 45); Group XIV (46-49); Group XV (50, 51)
For description see *Arch. Cant.*, xxxvi

PLATE VIII



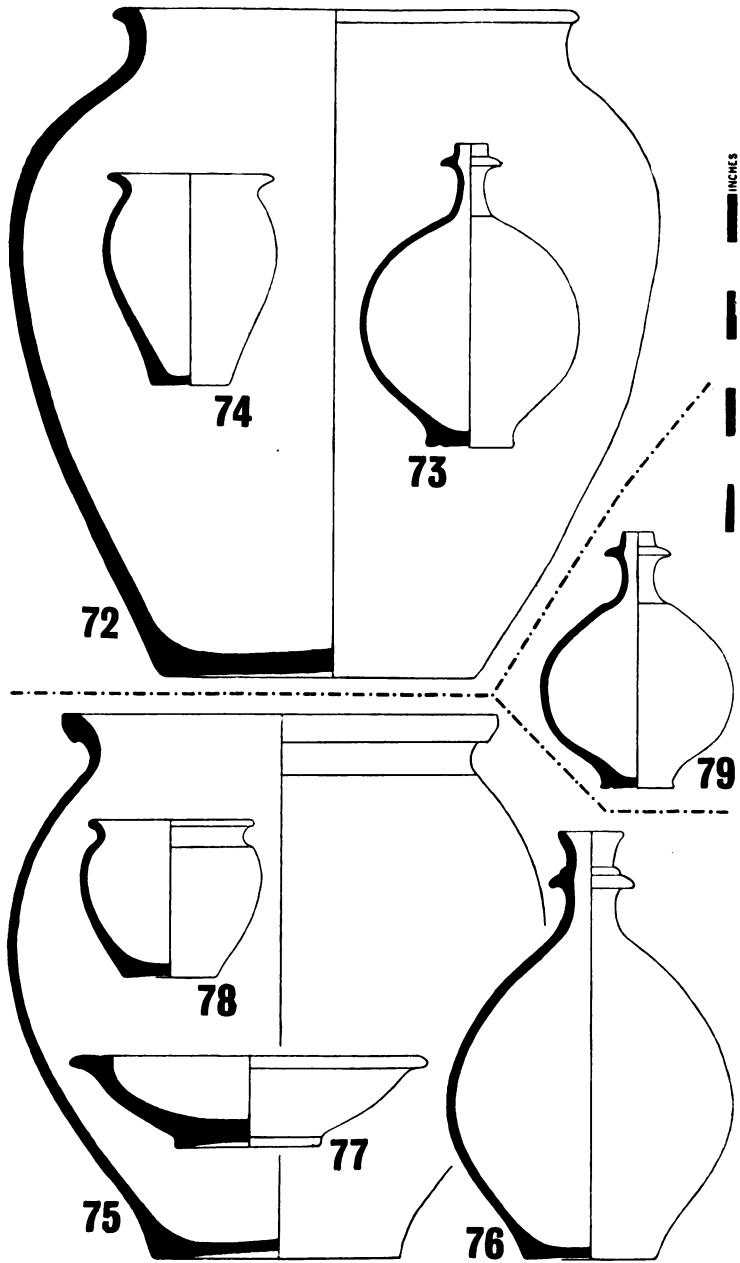
Pottery from No. 1 Cemetery, excavated 1921. Group XVII (55); Group XVIII (57). Pottery from No. 2 Cemetery, excavated 1921. Group XX (63-65) and fragments. Isolated burial Group XIX (60-62) discovered at Kennaways, Ospringe, Nov. 1920; a coin of Licinius (A. D. 313-315) also came from this site; see *Arch. Cant.*, xxxvi, and xli, p. 198

PLATE IX



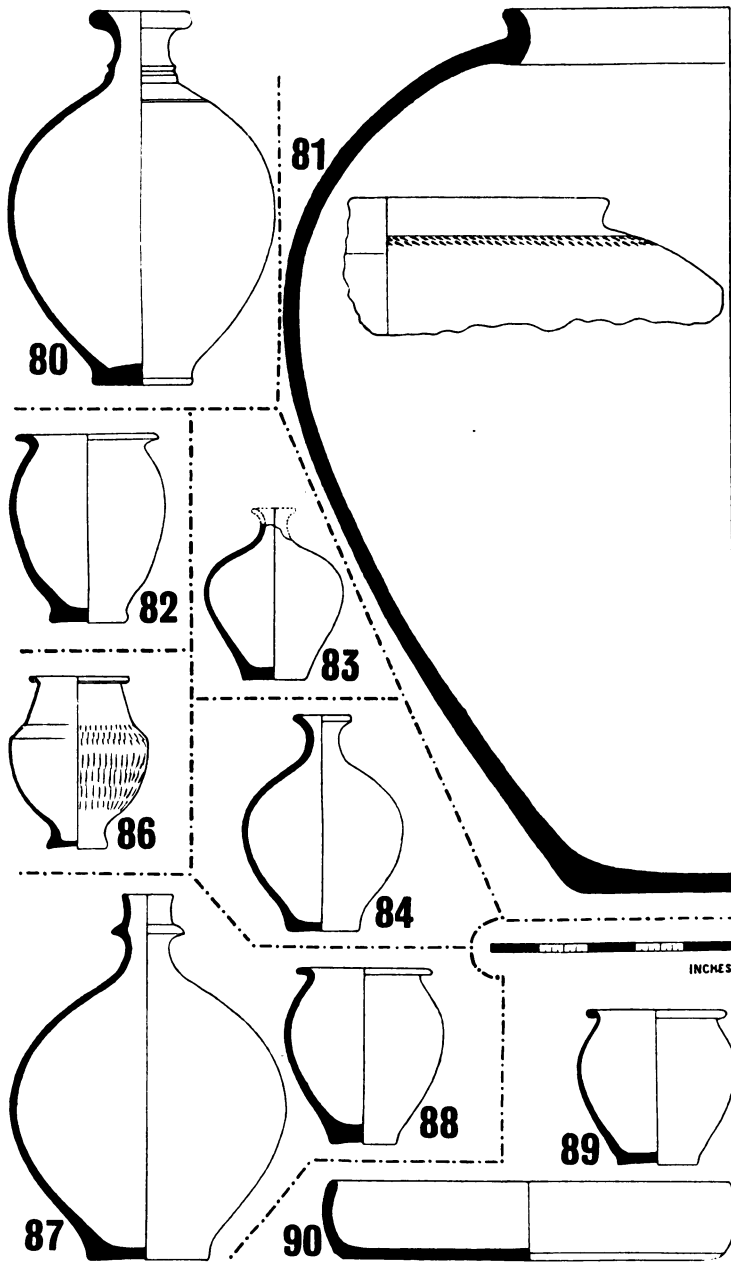
Pottery from No. 2 Cemetery, Ospringe, excavated in 1921
Group XXI (67, 68); Group XXII (69, 70)
For description see *Arch. Cant.*, xxxvi

PLATE X



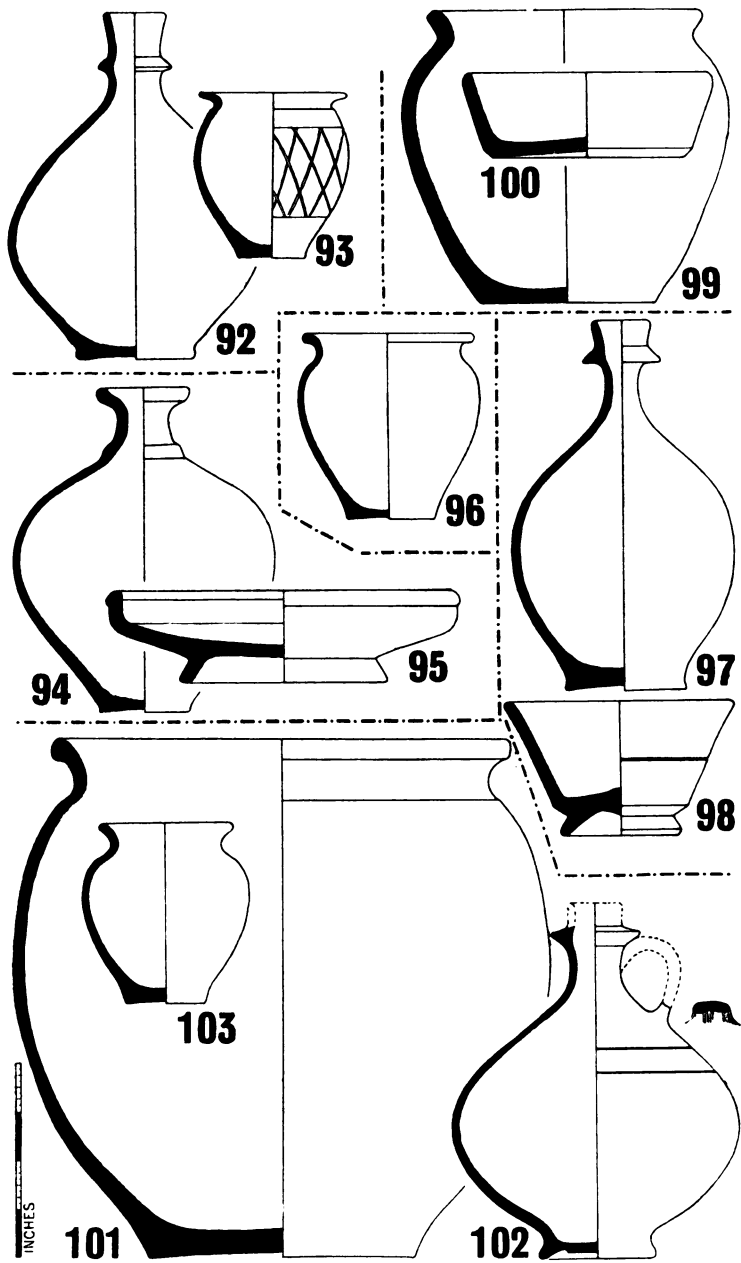
Pottery from No. 2 Cemetery, Ospringe, excavated in 1921
Group XXIII (72-74); Group XXIV (75-78)
For description see *Arch. Cant.*, xxxvi

PLATE XI



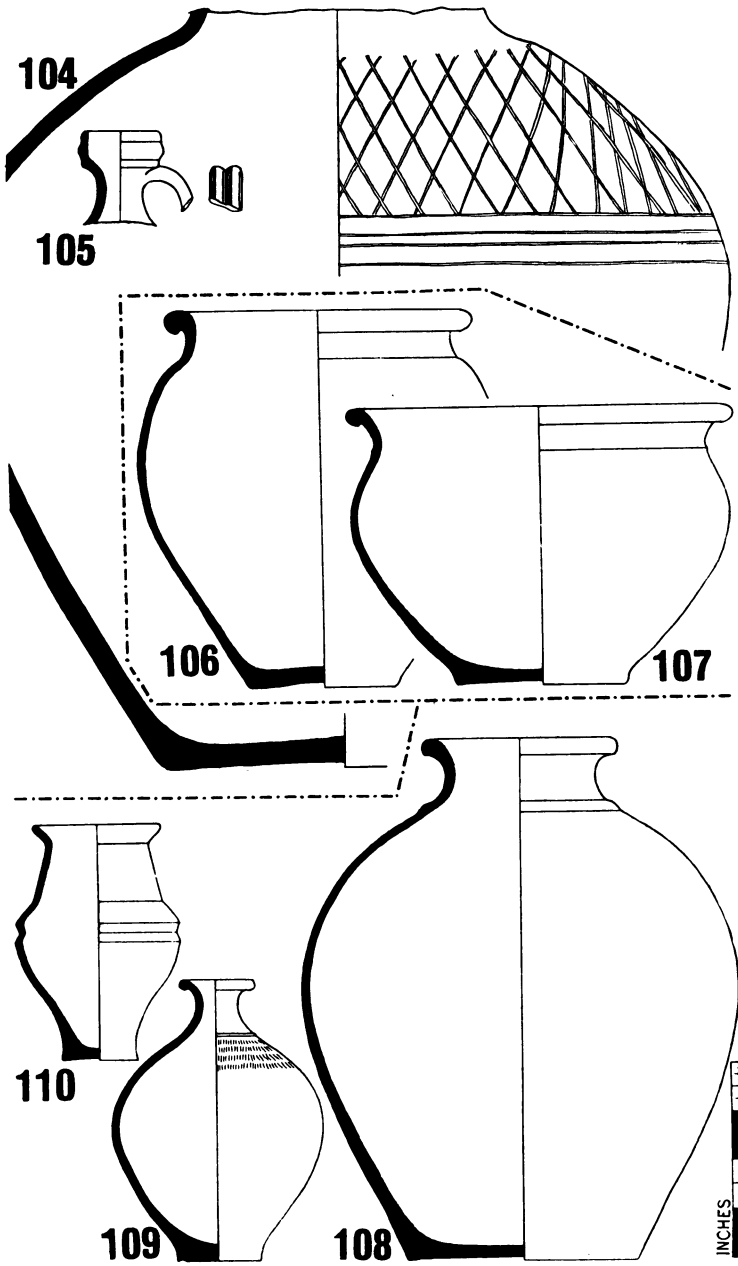
Pottery from No. 2 Cemetery, Ospringe, excavated in 1921
Odd pots (80-86); Group XXV (87, 88); Group XXVI (89, 90)
For description see *Arch. Cant.*, xxxvii

PLATE XII



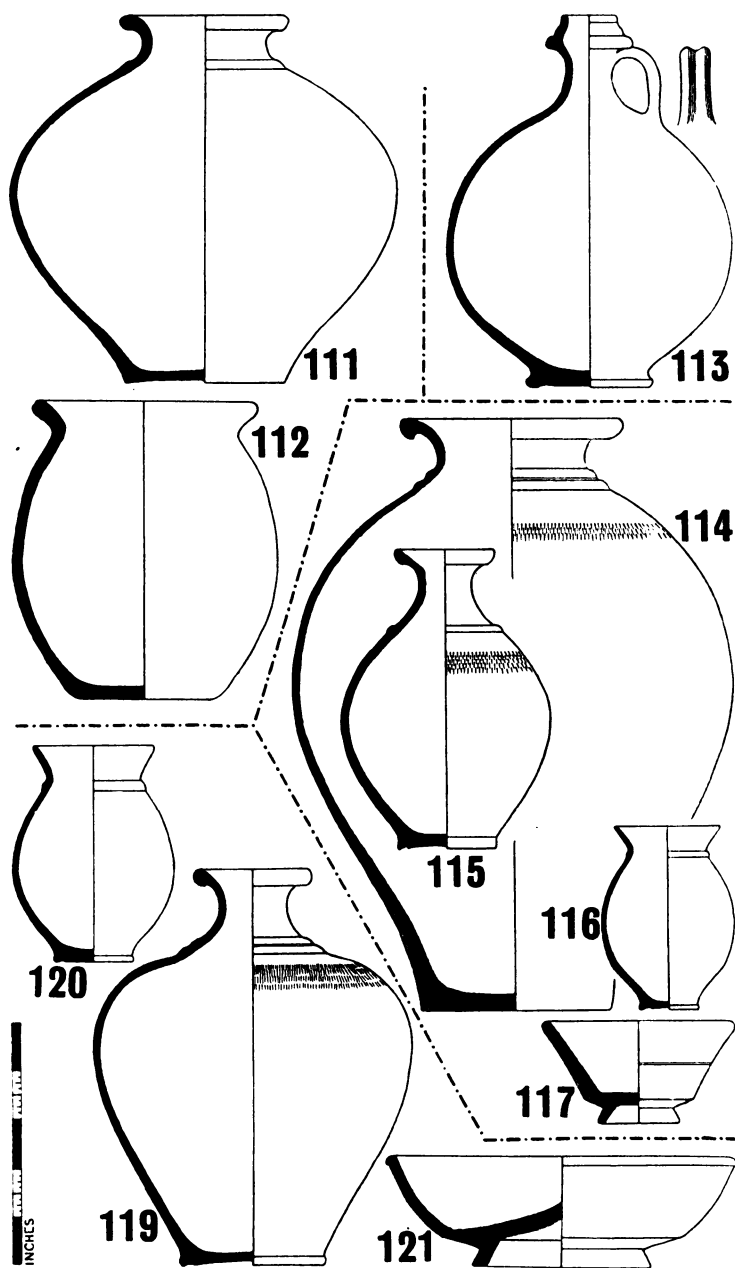
Pottery from No. 2 Cemetery, Ospringe, excavated in 1921. Group XXVII (92, 93); Group XXVIII (94, 95); Group XXIX (97, 98); Group XXX (99, 100); Group XXXI (101-103). For description see *Arch. Cant.*, xxxvii

PLATE XIII



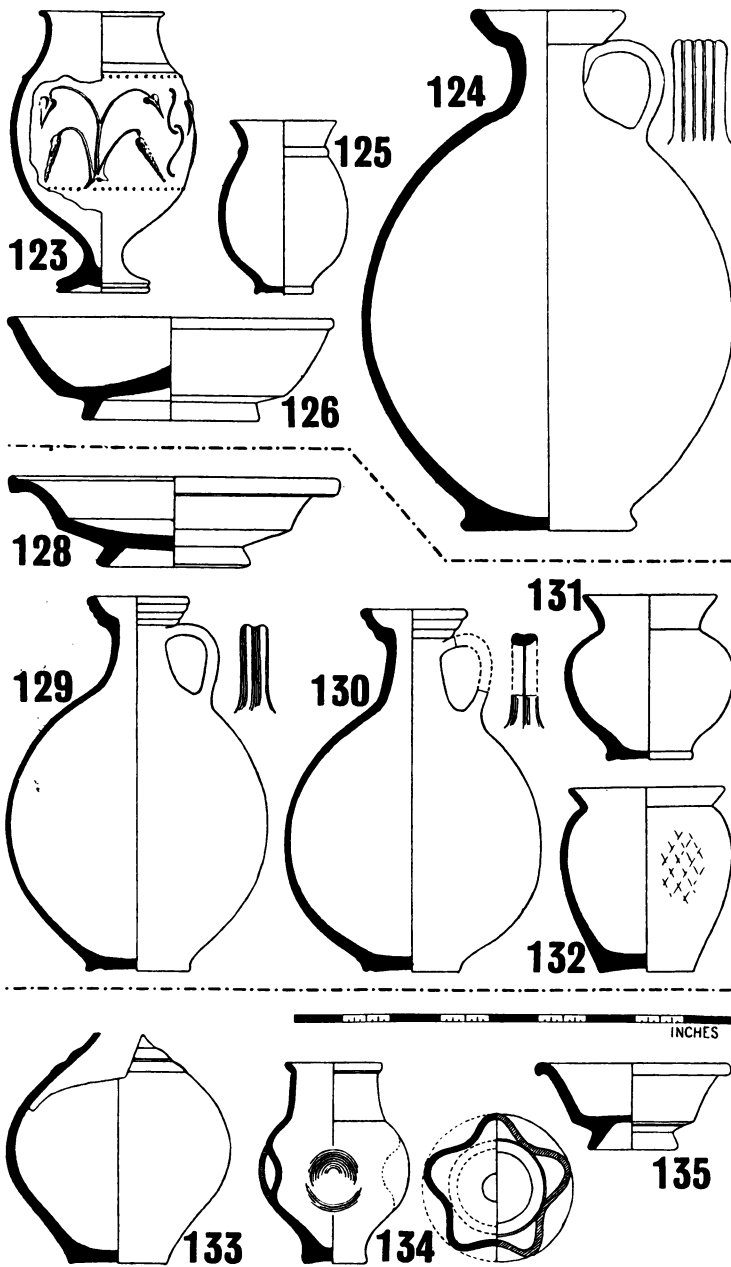
Pottery from No. 2 Cemetery, Ospringe, excavated in 1921. Odd pot and fragment (104, 105); Group XXXII (106, 107); Group XXXIII (108-110). For description see *Arch. Cant.*, xxxvii

PLATE XIV



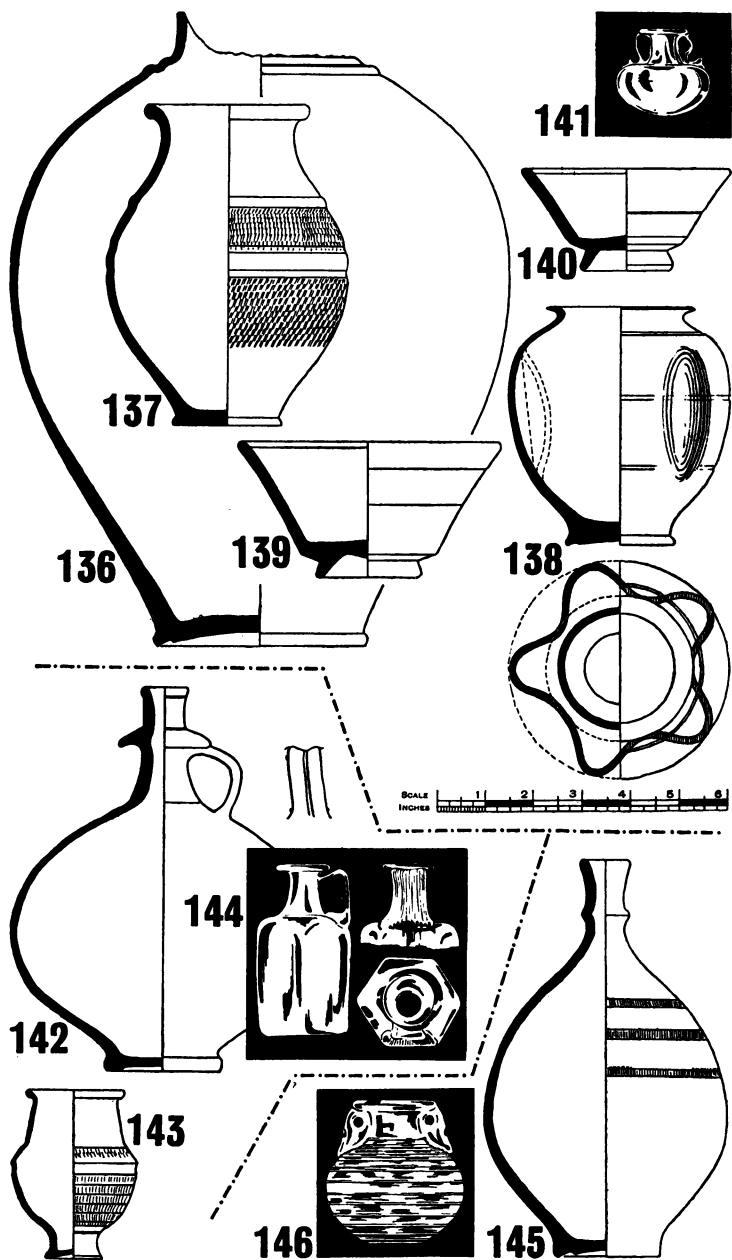
Pottery from No. 2 Cemetery, Ospringe, excavated to No. 113 in 1921 and from No. 114 in 1923 Group XXXIV (111, 112); Group XXXV (114-117); Group XXXVI (119-121). For description see *Arch. Cant.*, xxxvi and xxxvii

PLATE XV



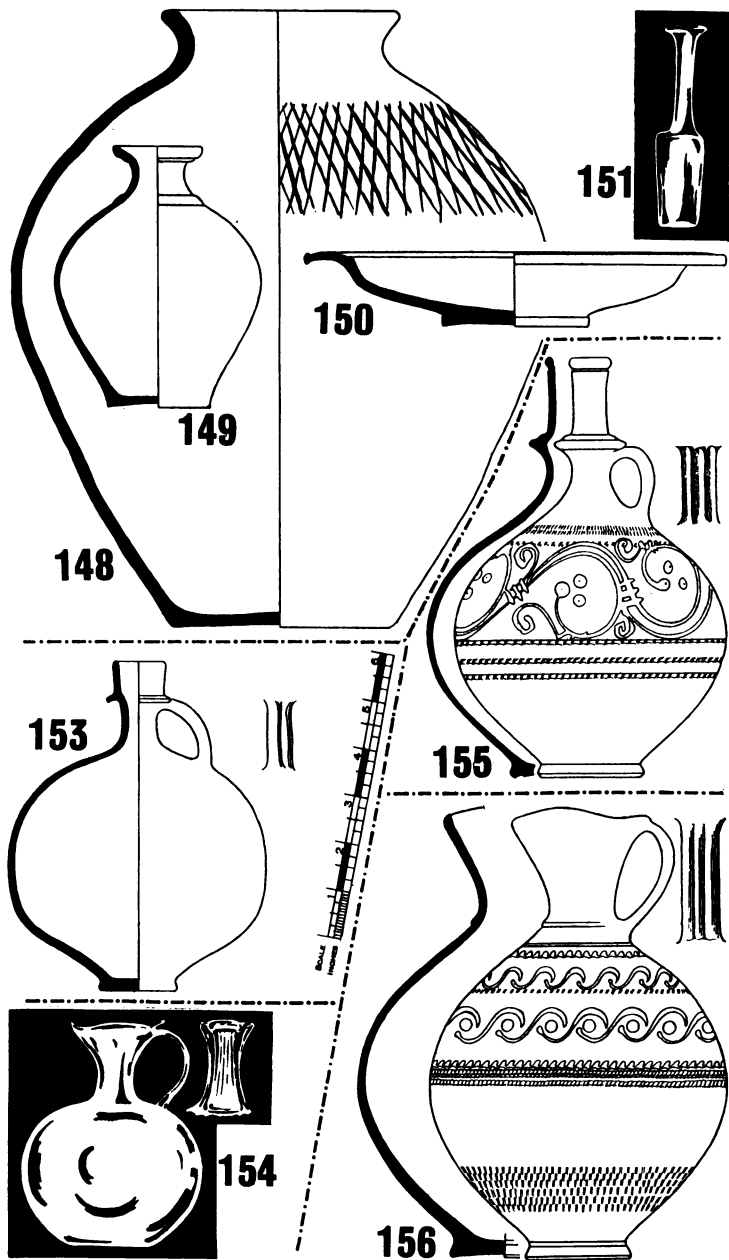
Pottery from No. 2 Cemetery, Ospringe, excavated in 1923. Group XXXVII (123-126); Group XXXVIII (128-132); Group XXXIX (133-135)
For description see *Arch. Cant.*, xxxvii

PLATE XVI



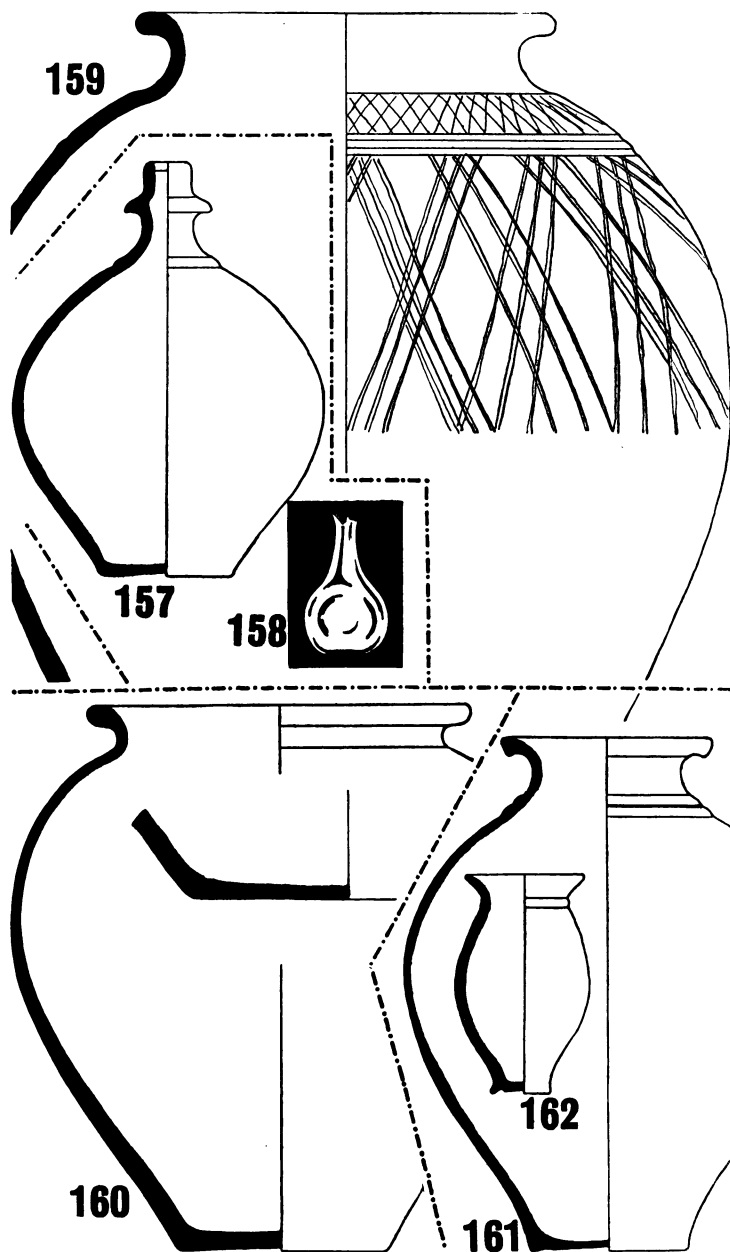
Pottery and Glass from No. 2 Cemetery, Ospringe, excavated in 1923
 Group XL (136-141); Group XLI (142-144); Group XLII (145, 146)
 For description see *Arch. Cant.*, xxxviii

PLATE XVII



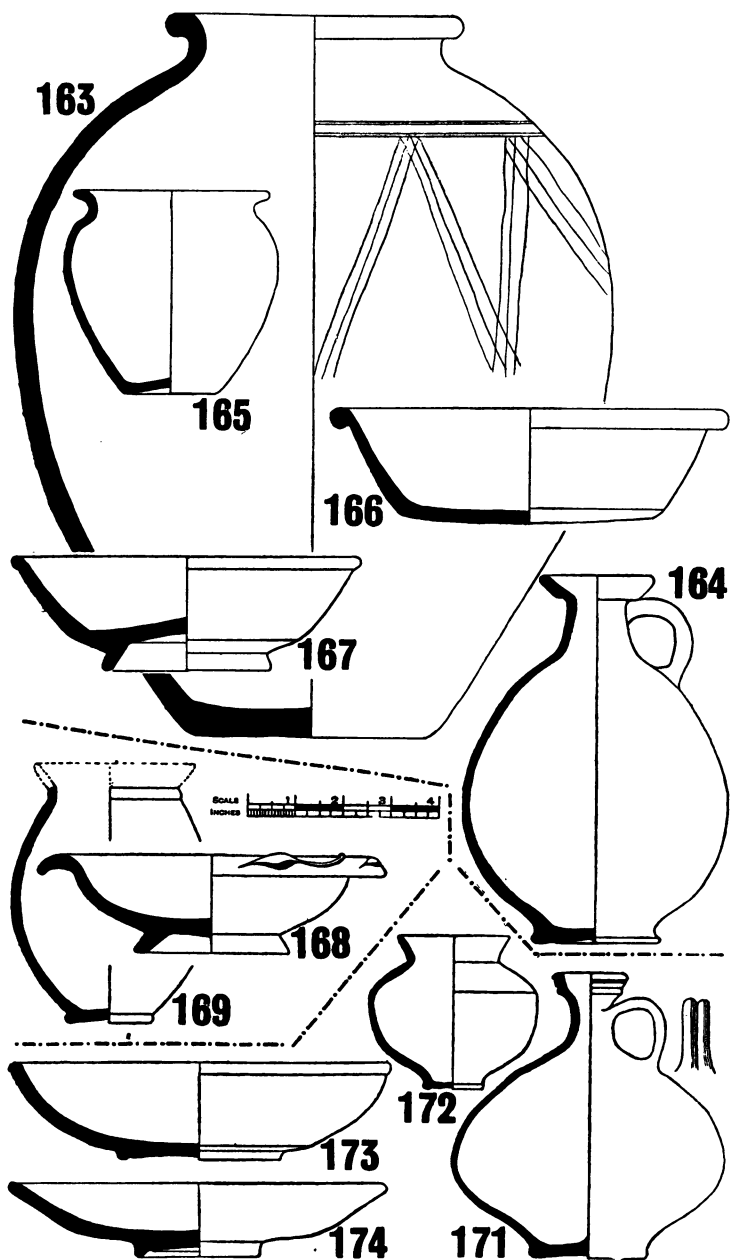
Pottery and Glass from No. 2 Cemetery, Ospringe, excavated in 1923
 Group XLIII (148-151); Group XLIV (153); odd pots (155 and 156)
 For description see *Arch. Cant.*, xxxviii

PLATE XVIII



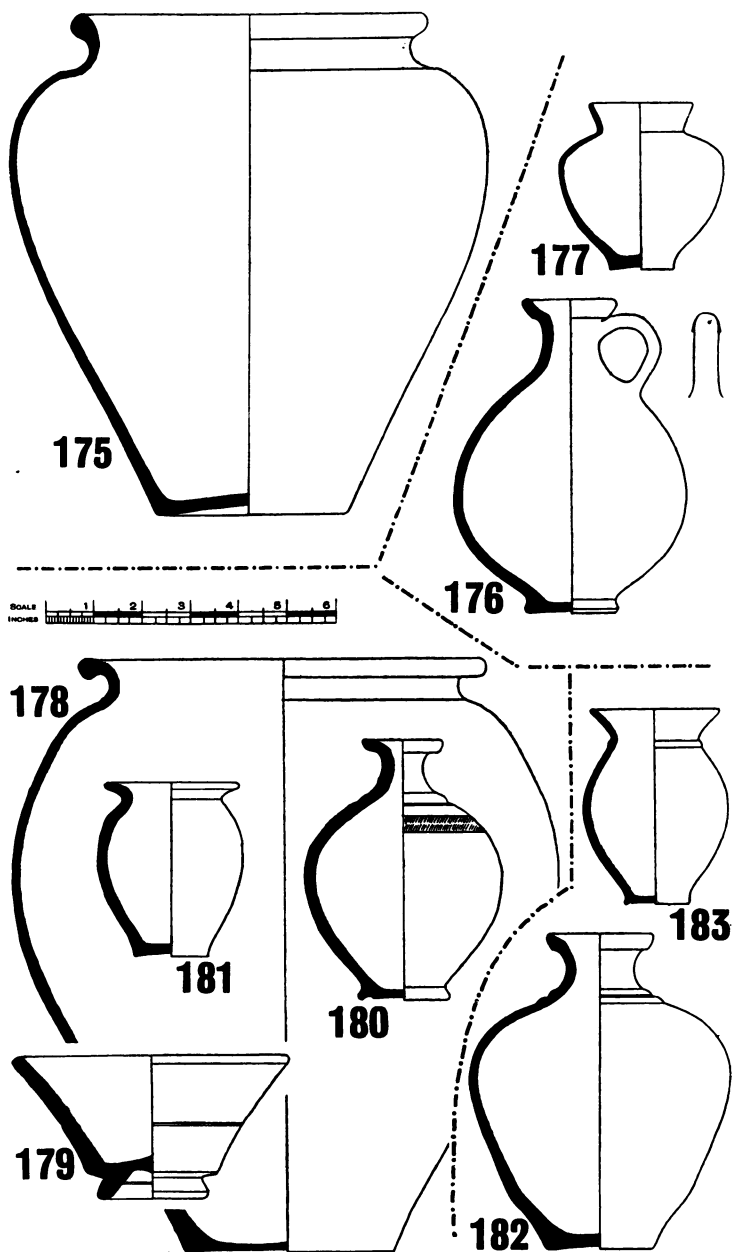
Pottery and Glass from No. 2 Cemetery, excavated in 1923
Group XLV (157, 158); odd pots (159 and 160); Group XLVI (161, 162)
For description see *Arch. Cant.*, xxxviii
For Group XLV see note in Addenda, p. 106

PLATE XIX



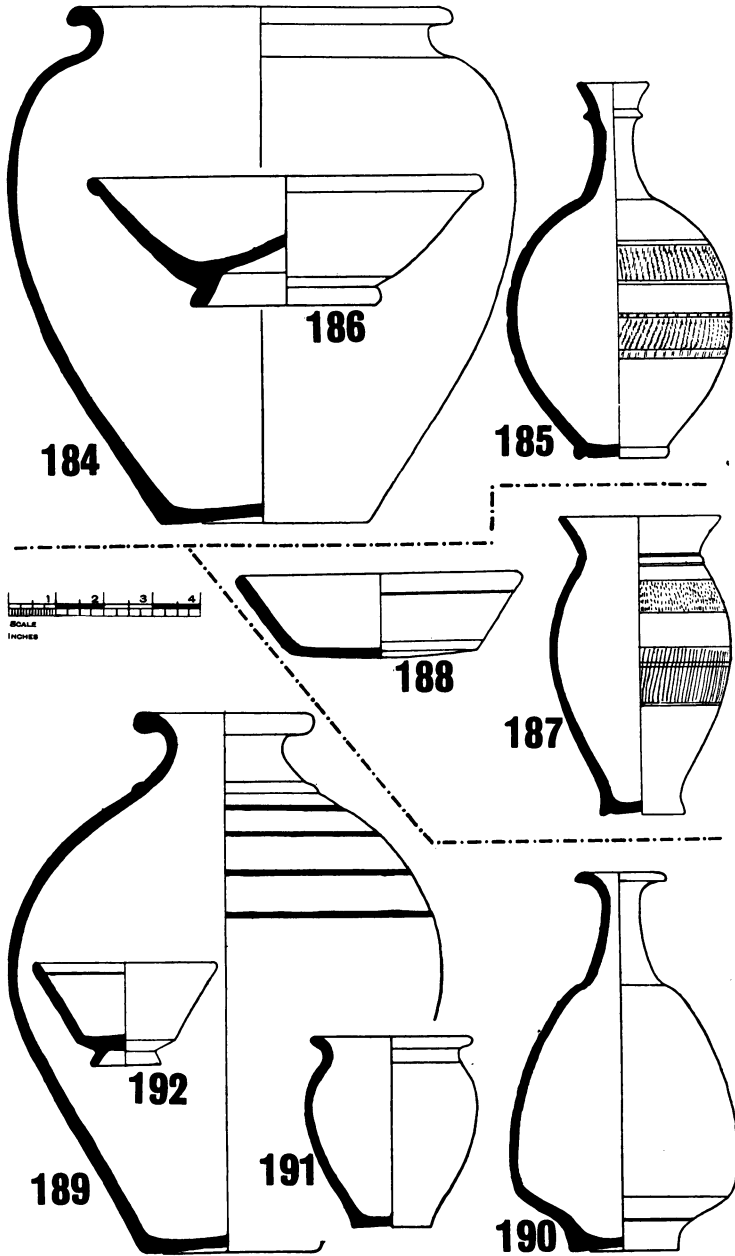
Pottery from No. 2 Cemetery, Ospringe, excavated in 1923
Group XLVII (163-167); Group XLVIII (168, 169); Group XLIX (171-174)
For description see *Arch. Cant.*, xxxviii

PLATE XX



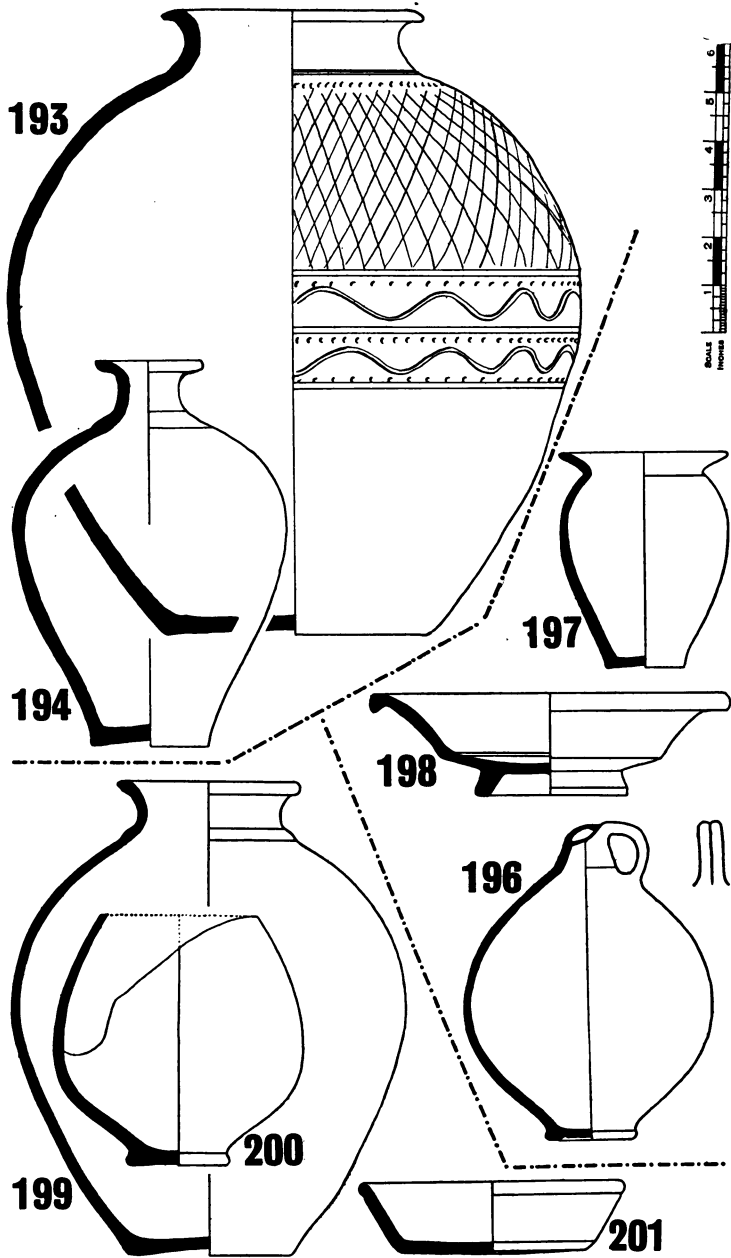
Pottery from No. 2 Cemetery, Ospringe, excavated in 1923. Odd pot (175);
 Group L (176, 177); Group LI (178-181); Group LII (182, 183)
 For description see *Arch. Cant.*, xxxviii

PLATE XXI



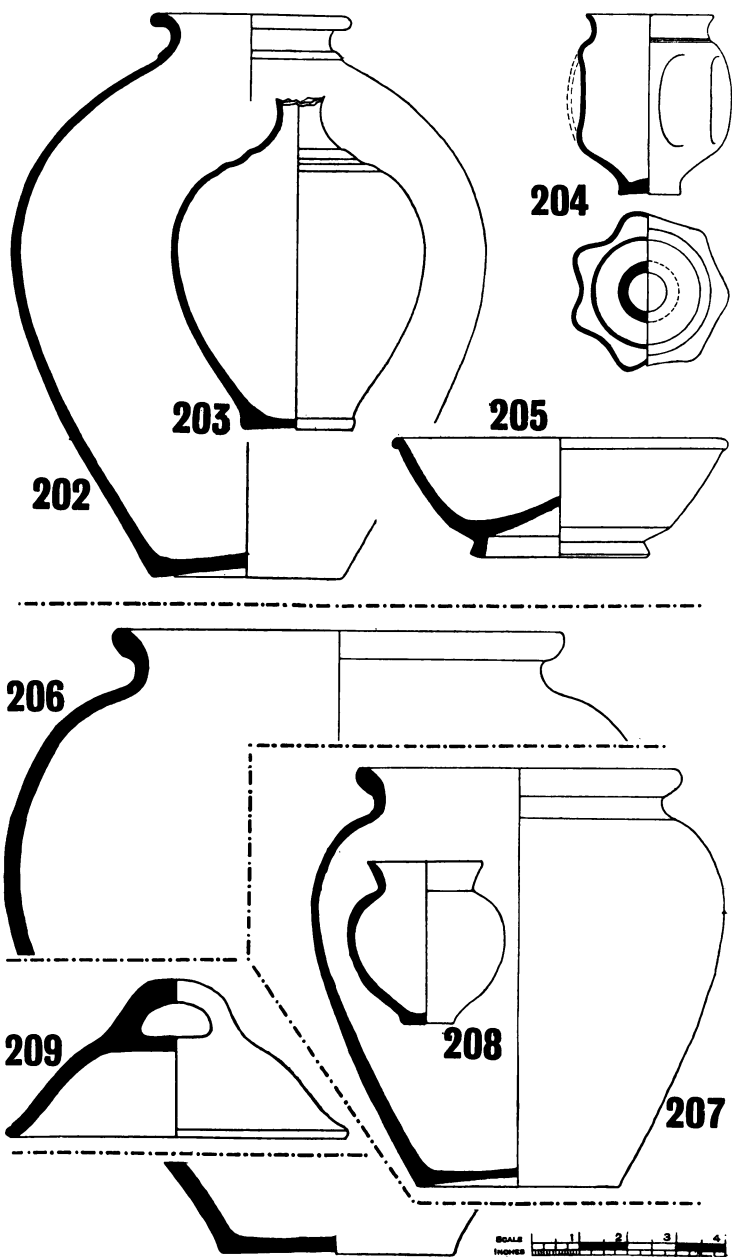
Pottery from No. 2 Cemetery, Ospringe, excavated in 1923
Group LIII (184-186); Group LIV (187, 188); Group LV (189-192)
For description see *Arch. Cant.*, xxxviii

PLATE XXII



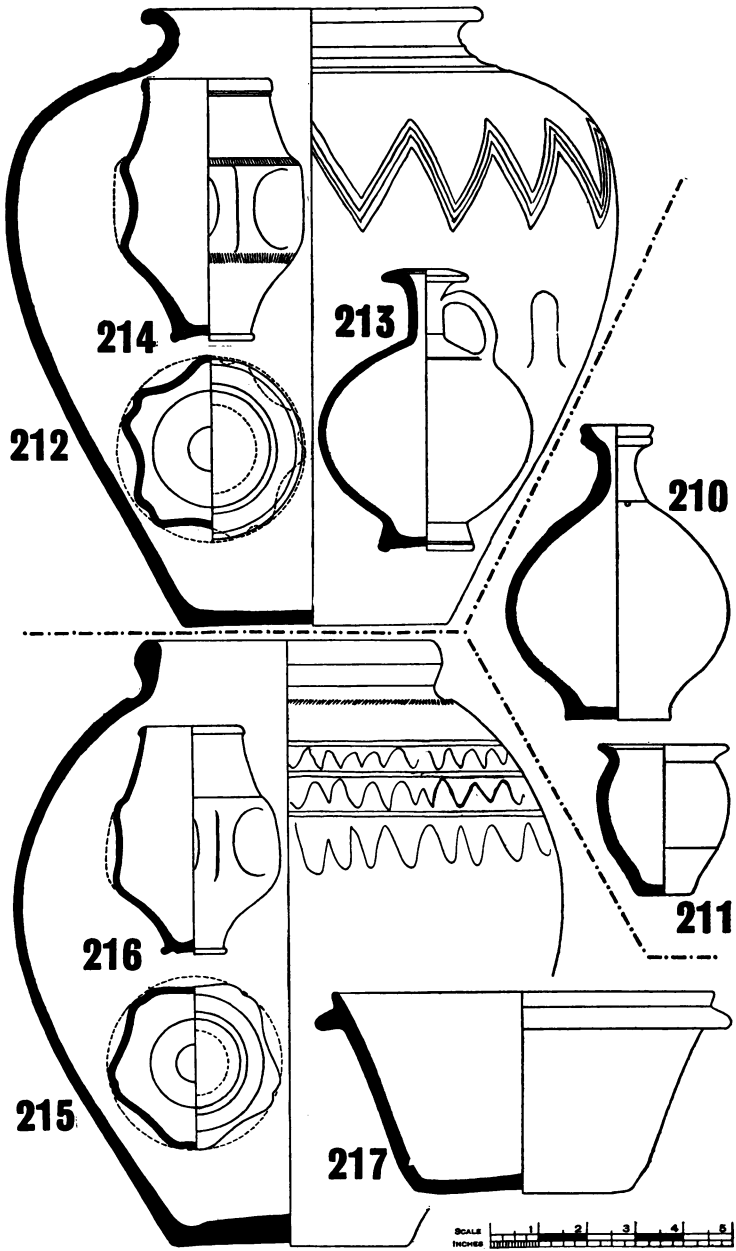
Pottery from No. 2 Cemetery, Ospringe, excavated in 1923. Group LVI (193, 194); Group LVII (196-198); Group LVIII (199-201). For description see *Arch. Cant.*, xxxviii

PLATE XXIII



Pottery from No. 2 Cemetery, Ospringe, excavated in 1923
 Group LIX (202-205); Group LX (207, 208); odd pots (206 and 209)
 For description see *Arch. Cant.*, xxxviii

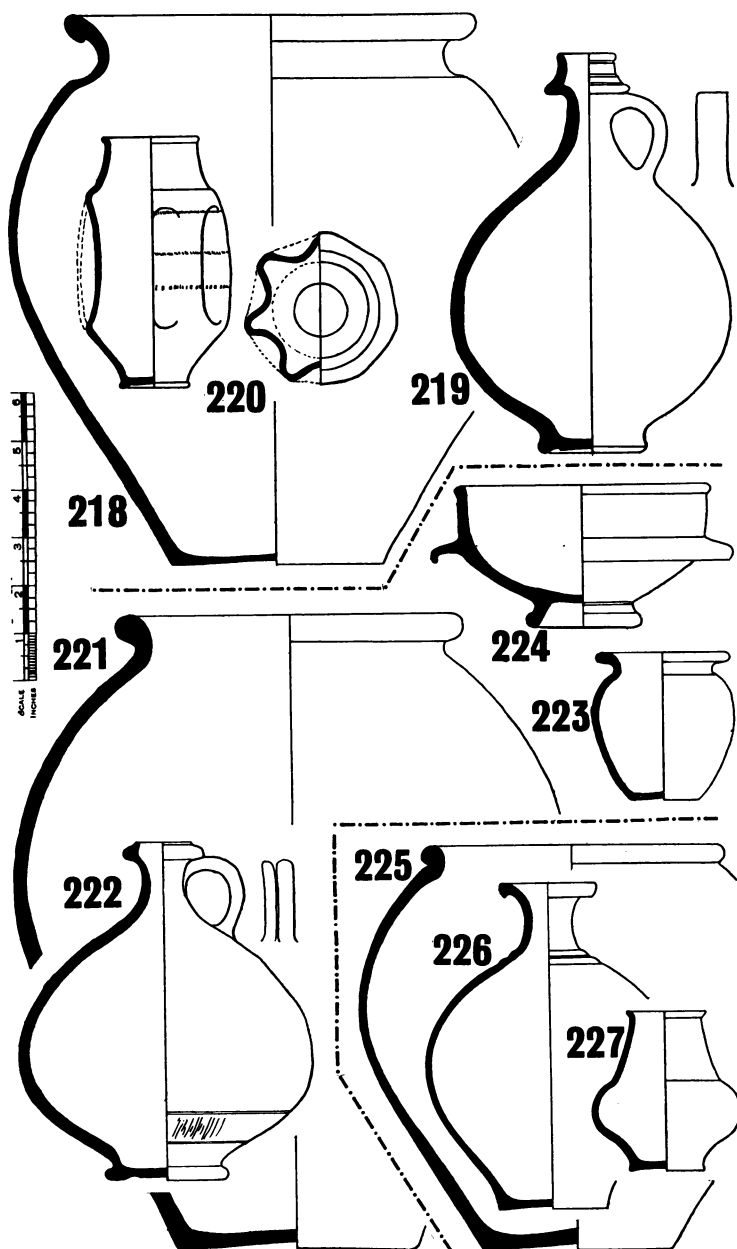
PLATE XXIV



Pottery from No. 2 Cemetery, Ospringe, excavated in 1923. Group LXI (210, 211); Group LXII (212-214); Group LXIII (215-217). For description see *Arch. Cant.*, xxxviii

These groups were found in Syndale Park, see pl. LXIV

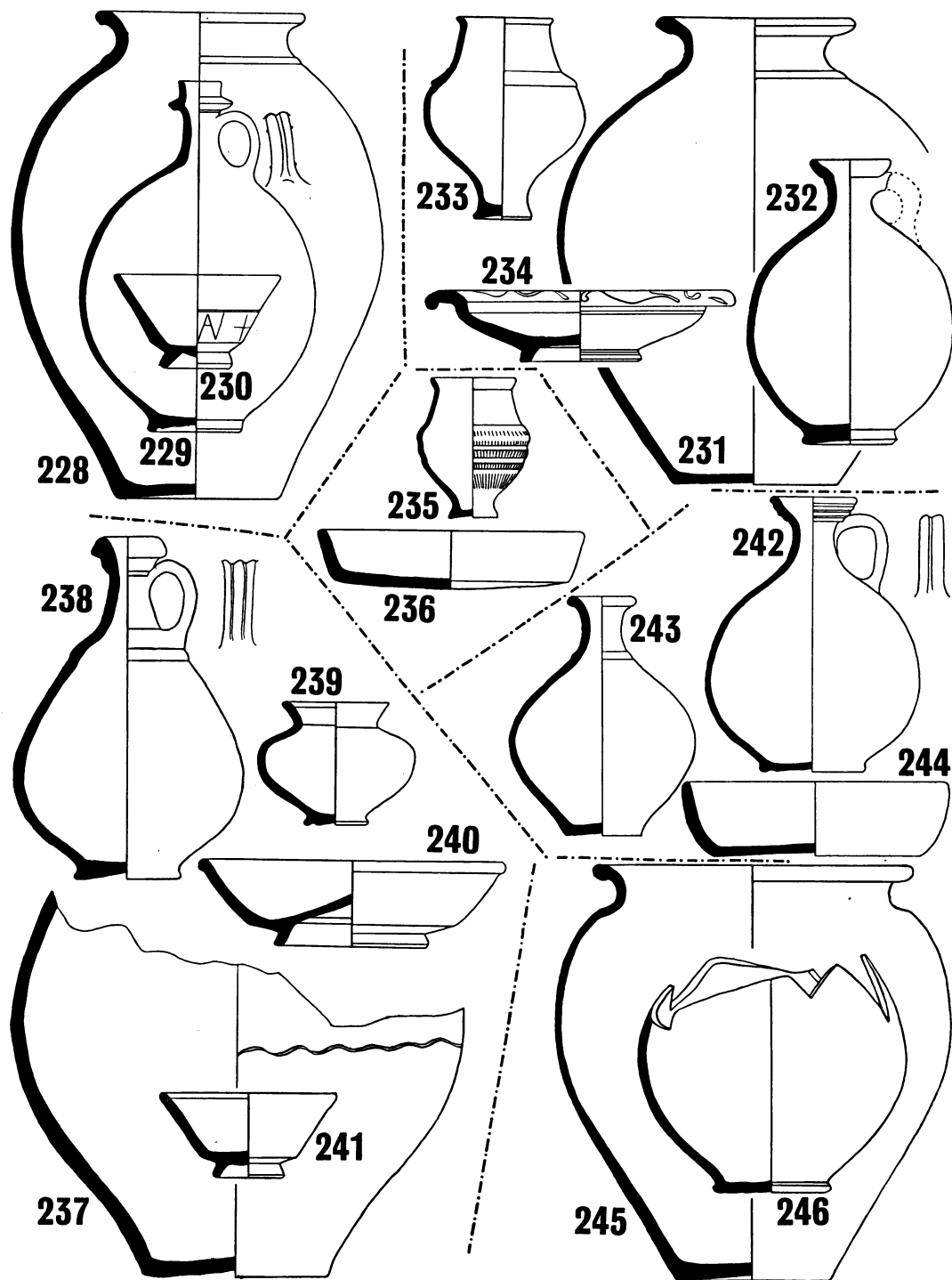
PLATE XXV



Pottery from No. 2 Cemetery, Ospringe, excavated in 1923. Group LXIV (218-220); Group LXV (221-224); Group LXVI (225-227). For description see *Arch. Cant.*, xxxviii

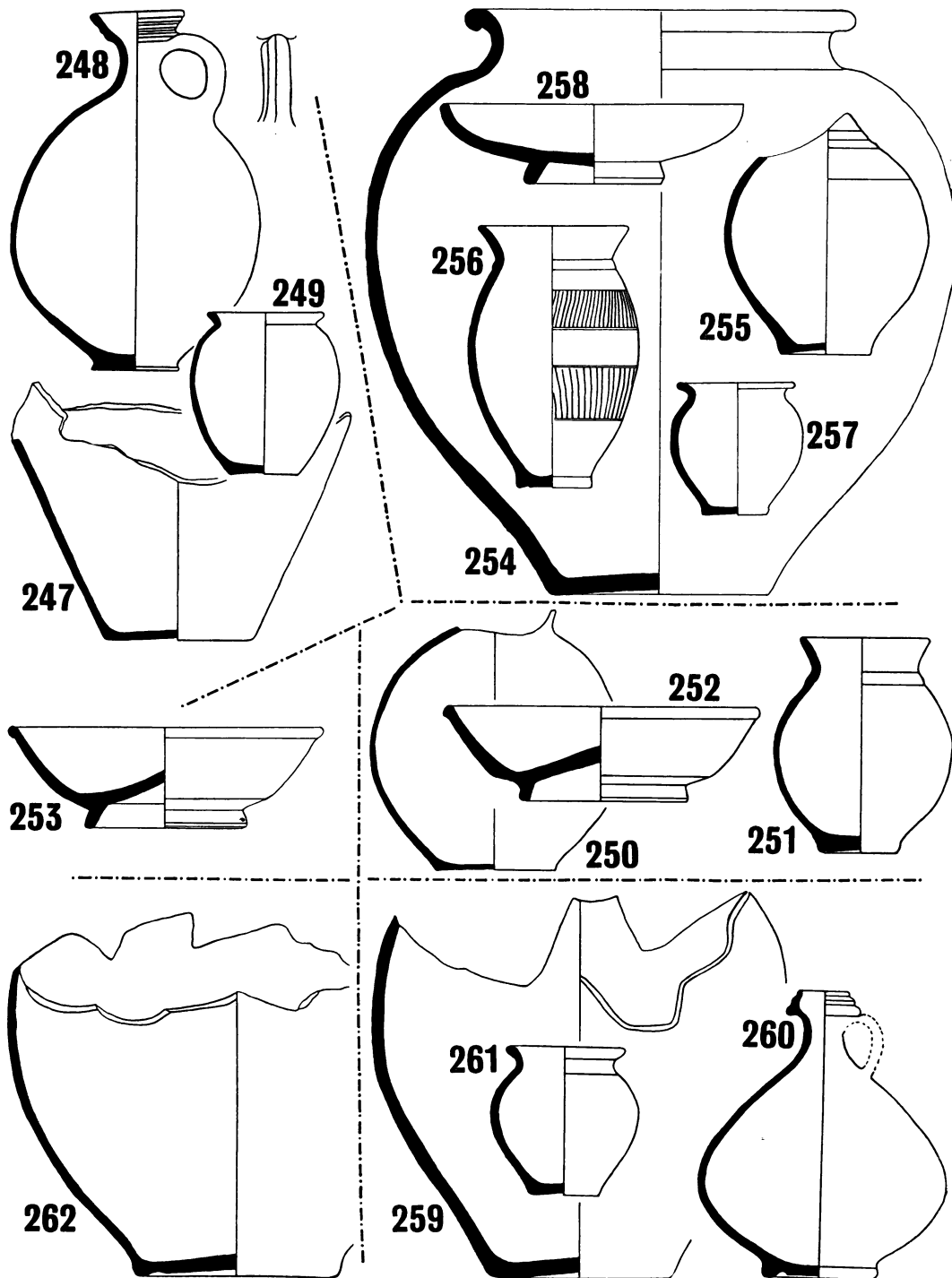
These groups were found in Syndale Park, see pl. LXIV

PLATE XXVI



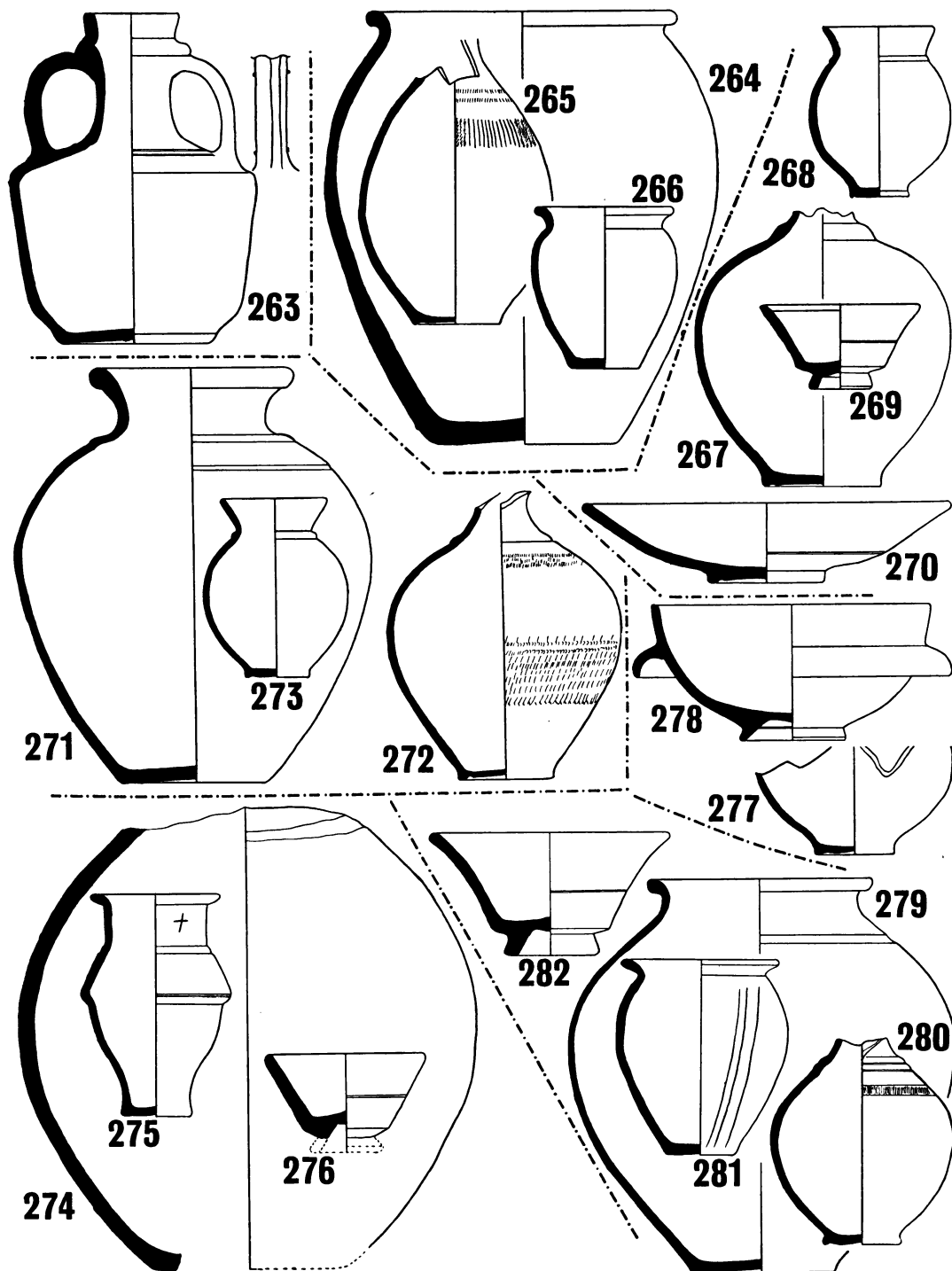
Pottery from No. 2 Cemetery, excavated in 1925 ($\frac{1}{4}$). Groups LXVII to LXXII

PLATE XXVII



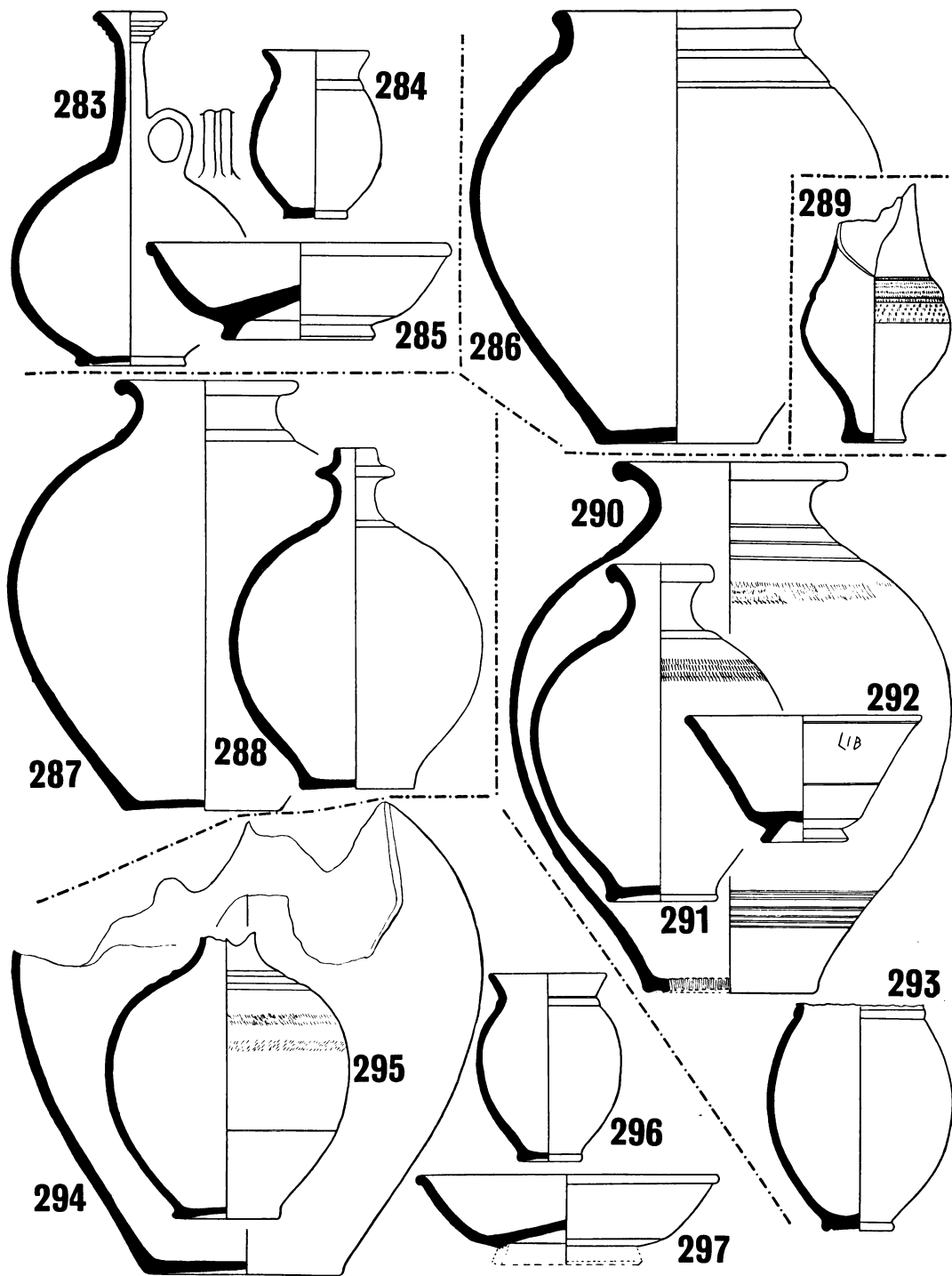
Pottery from No. 2 Cemetery, excavated in 1925 ($\frac{1}{4}$). Group LXXIII to Grave (A.O.)

PLATE XXVIII



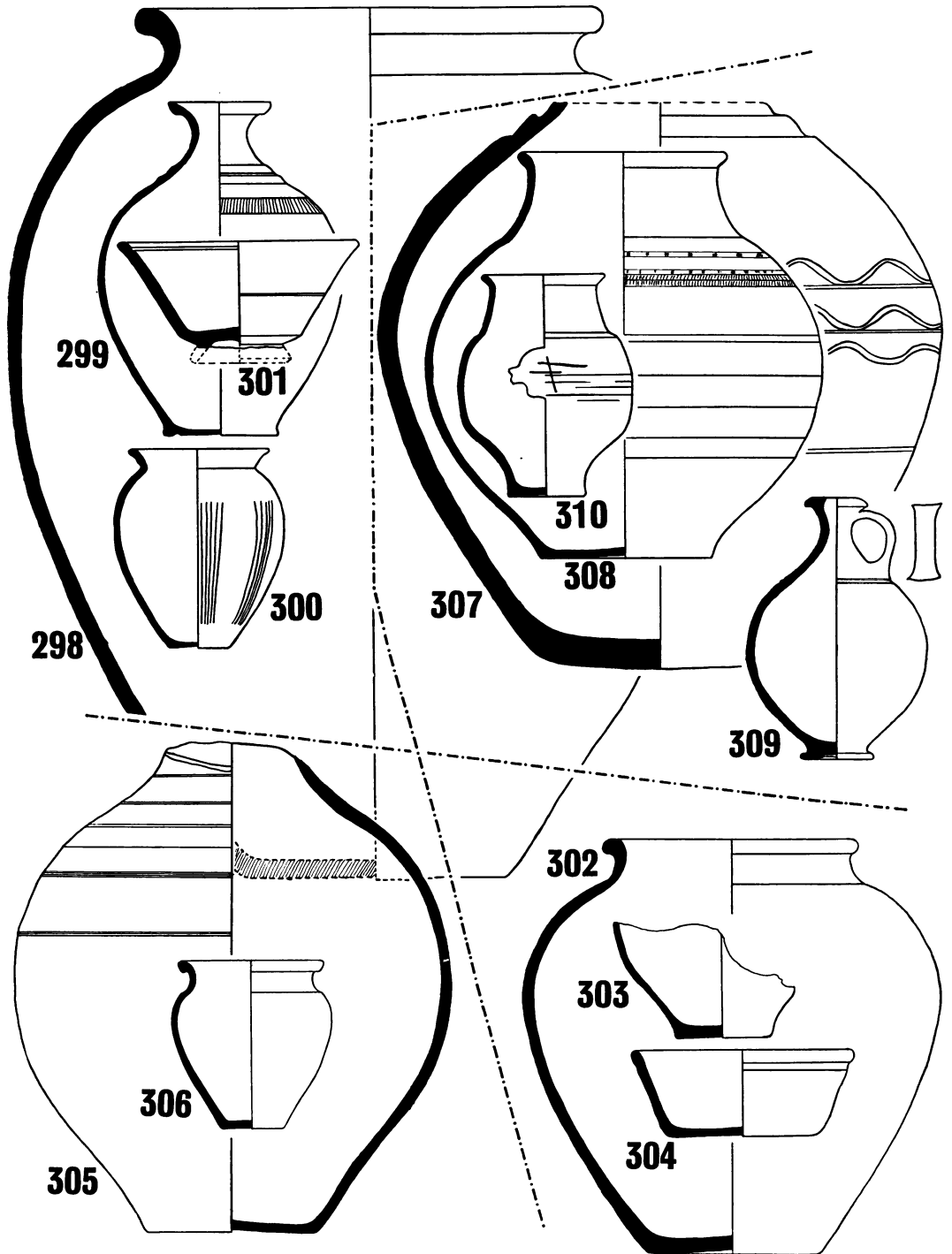
Pottery from No. 2 Cemetery, excavated in 1925 ($\frac{1}{4}$). Grave (A.R.) to Group LXXXII

PLATE XXIX



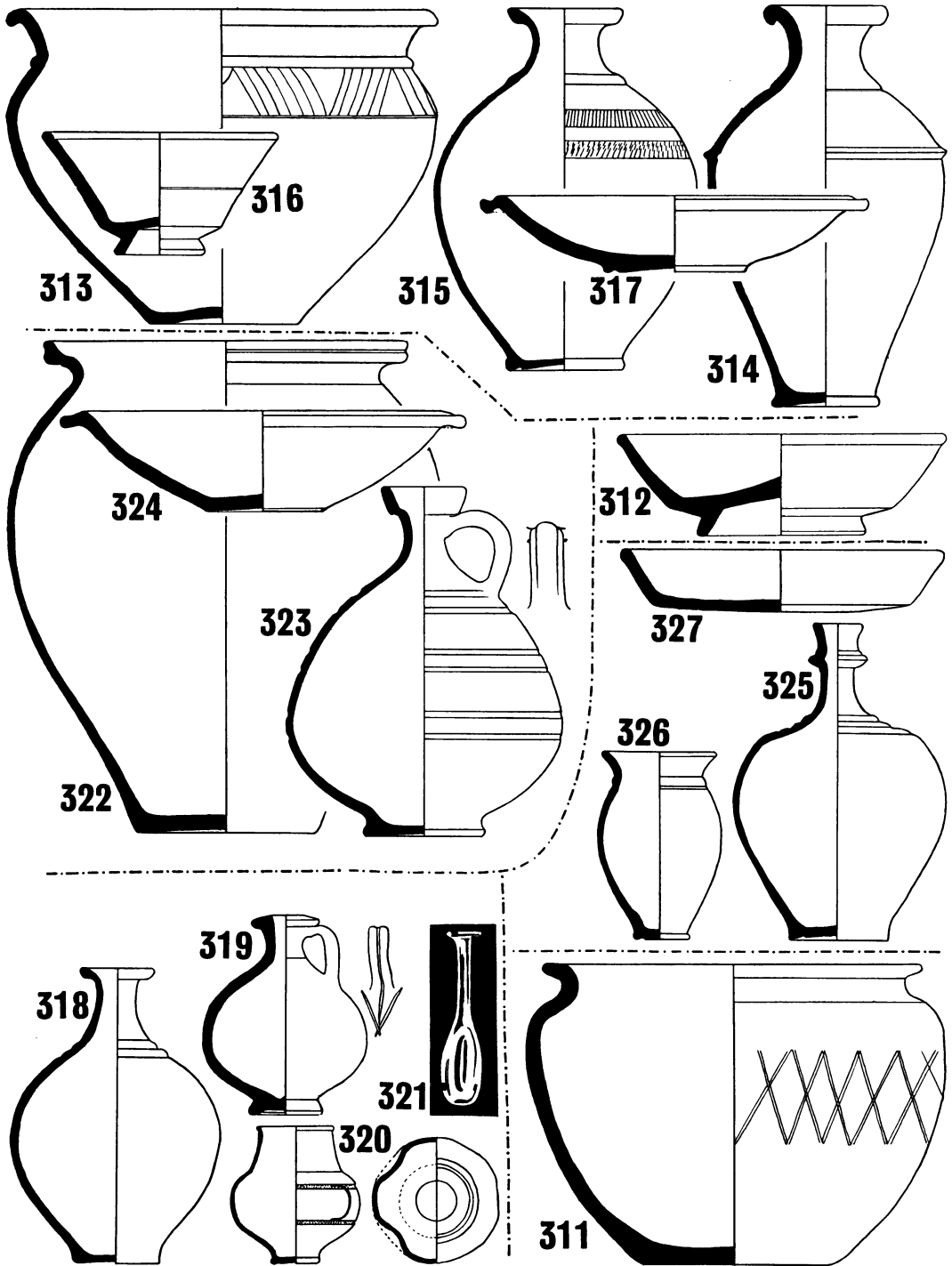
Pottery from No. 2 Cemetery, excavated in 1925 ($\frac{1}{4}$). Groups LXXXIII to LXXXVII

Published by the Society of Antiquaries of London, 1931



Pottery from No. 2 Cemetery, excavated in 1925 ($\frac{1}{4}$). Groups LXXXVIII to XCI

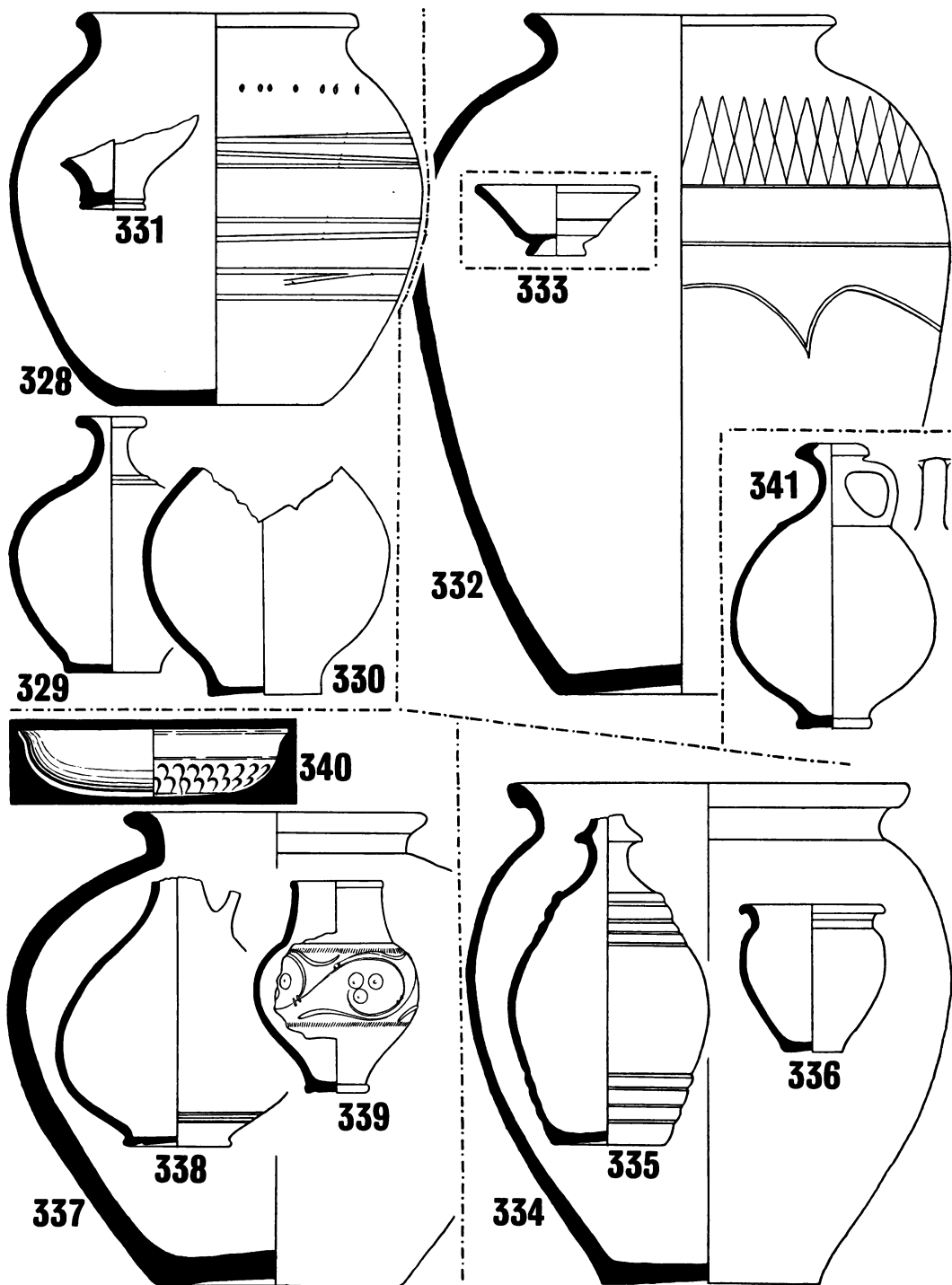
PLATE XXXI



Pottery from No. 2 Cemetery, excavated in 1925 ($\frac{1}{4}$). Groups XCII to XCVI

Published by the Society of Antiquaries of London, 1931

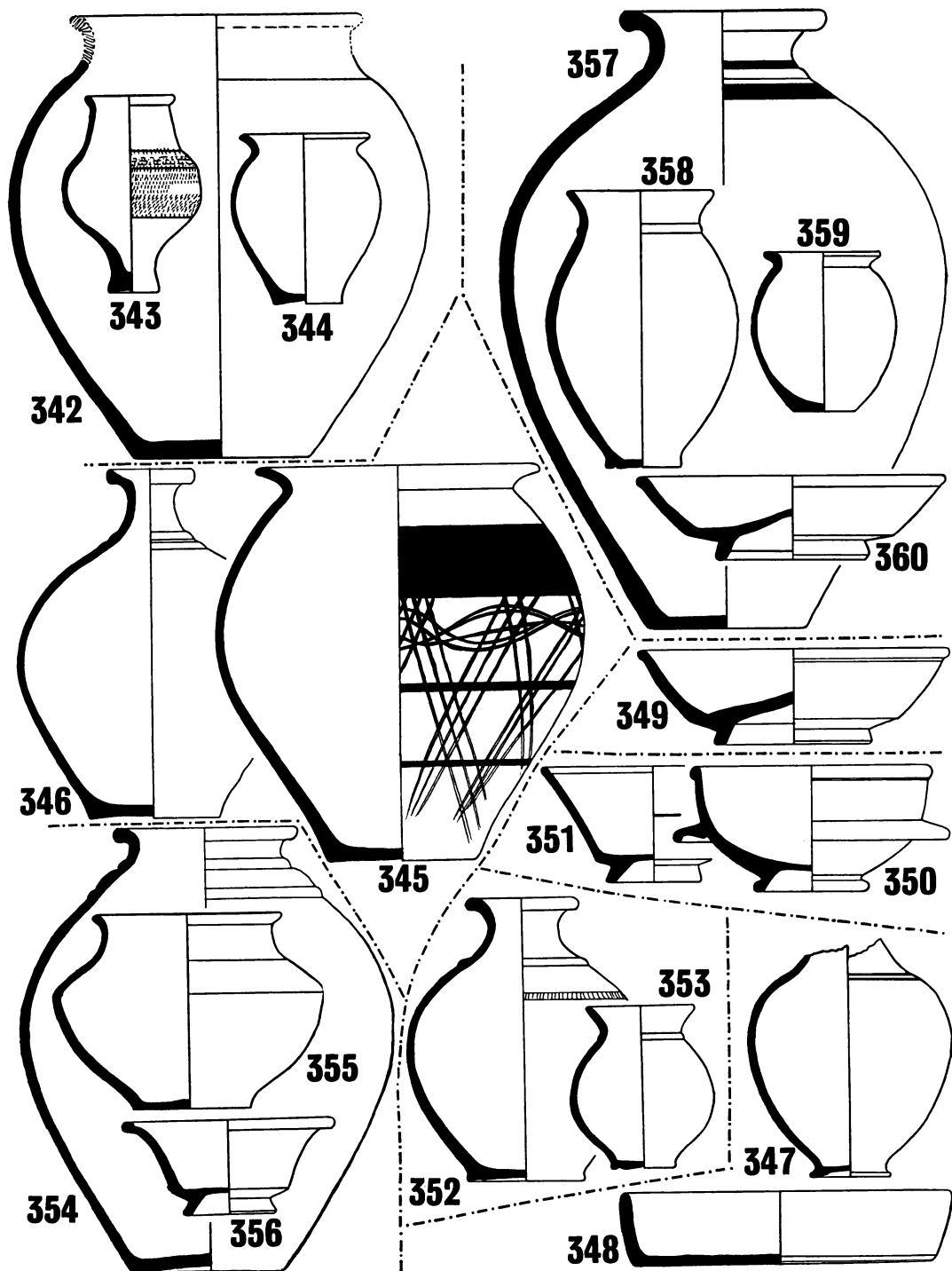
PLATE XXXII



Pottery from No. 2 Cemetery, excavated in 1925 ($\frac{1}{2}$). Group XCVII to Grave (C.I.)

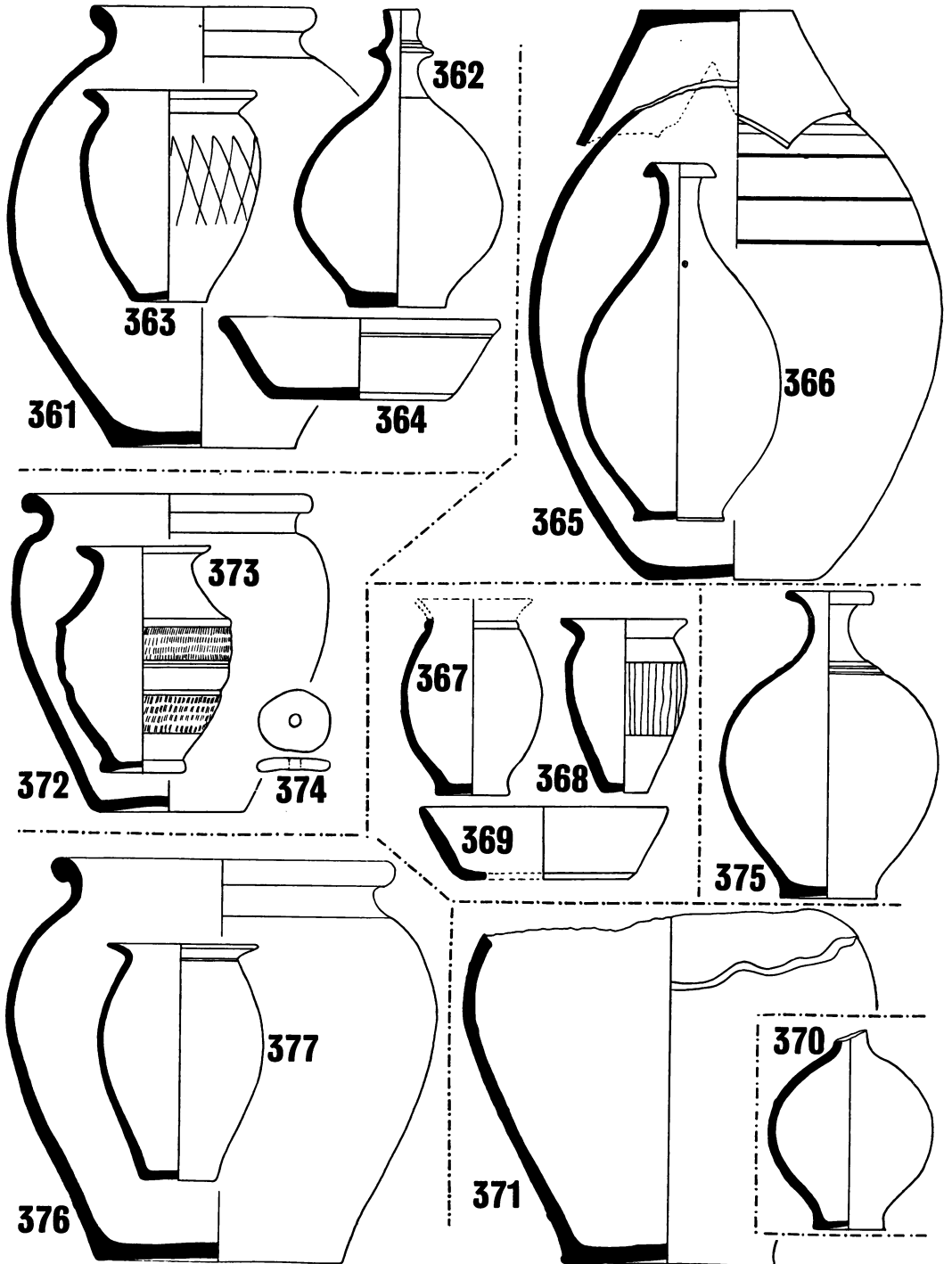
Published by the Society of Antiquaries of London, 1931

PLATE XXXIII

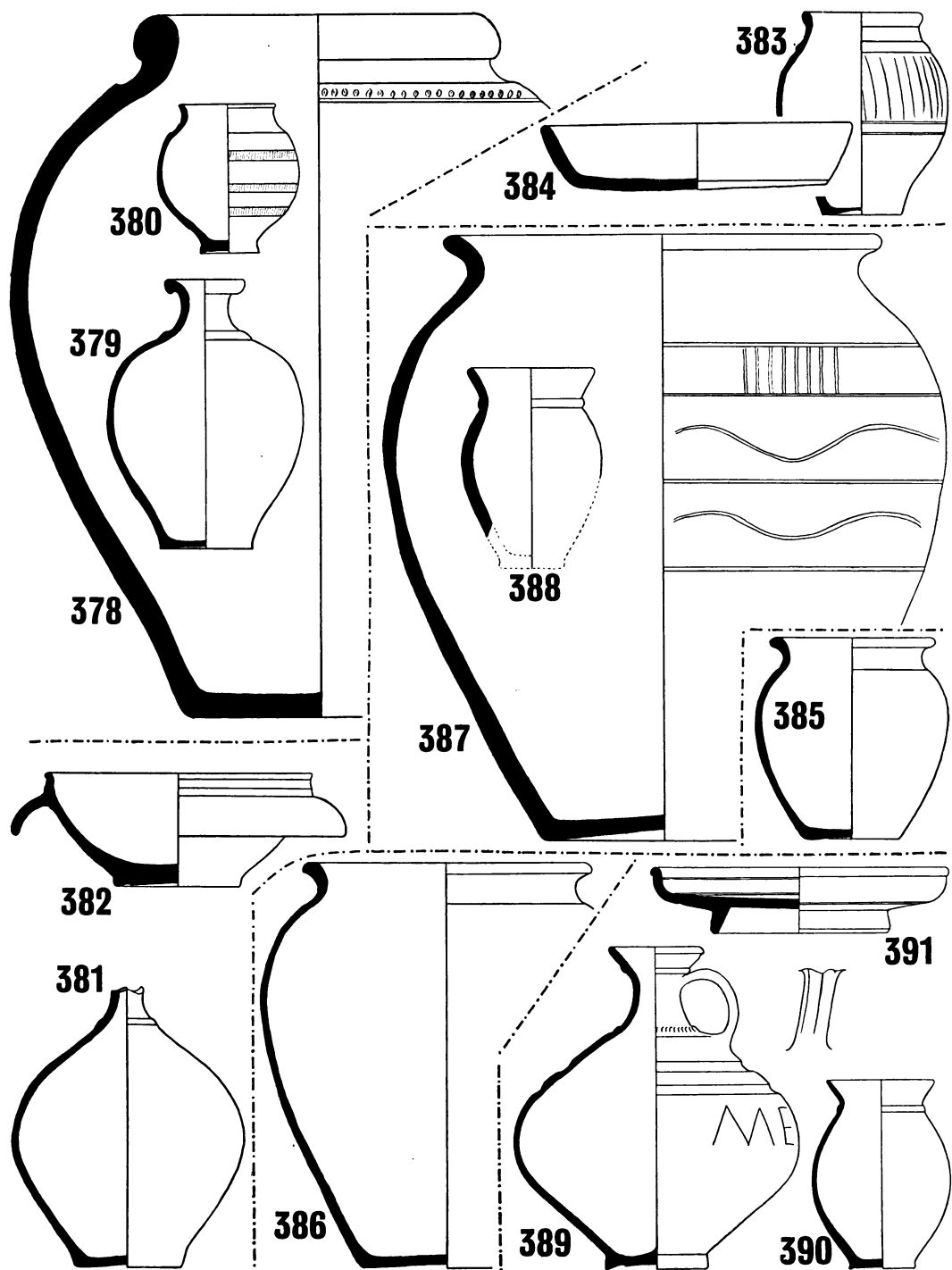


Pottery from No. 2 Cemetery, excavated in 1925 ($\frac{1}{4}$). Groups C (C.J.) to CVII (C.T.)

PLATE XXXIV

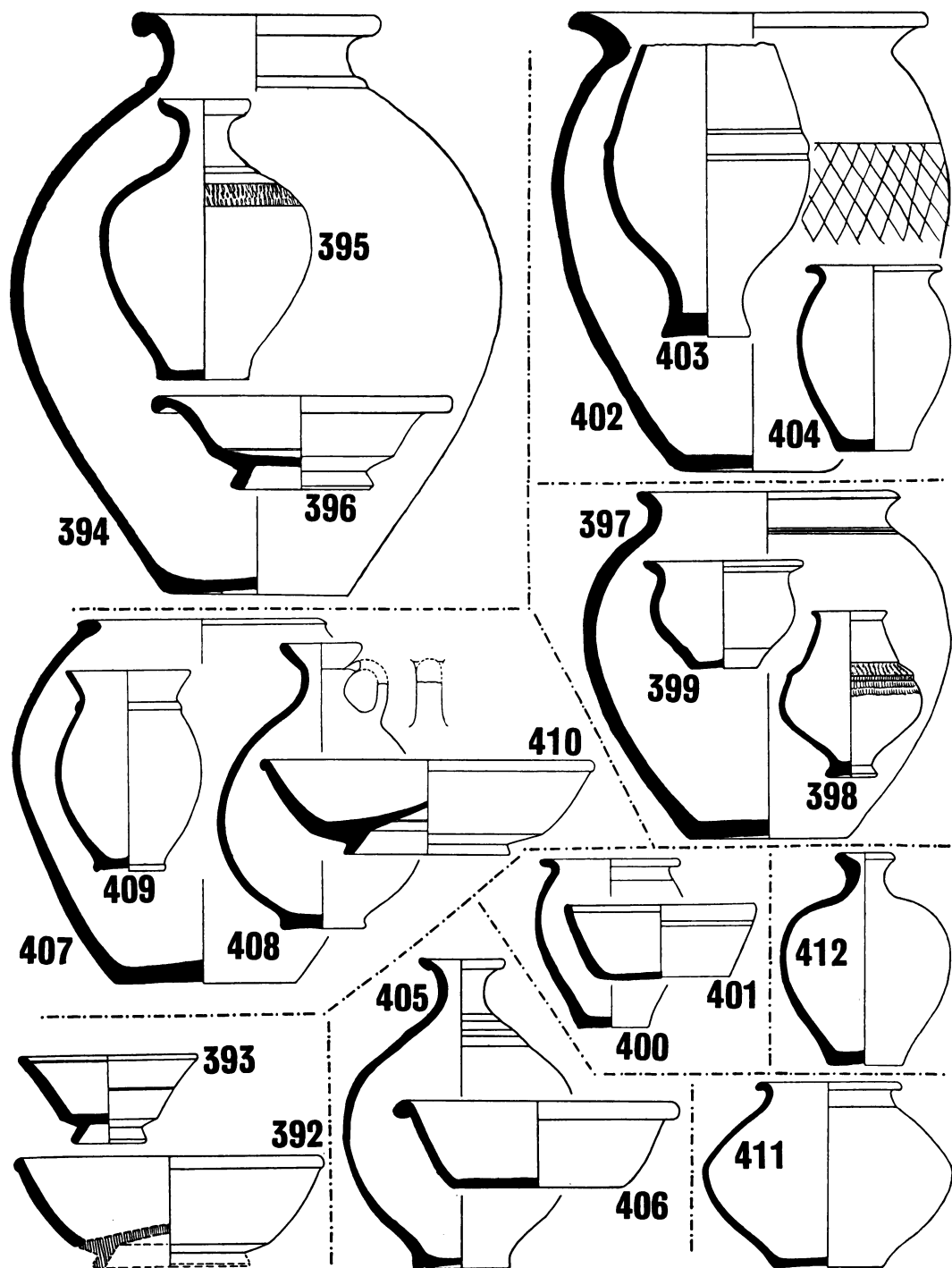


Pottery from No. 2 Cemetery, excavated in 1925 ($\frac{1}{4}$). Groups CVIII to CXII



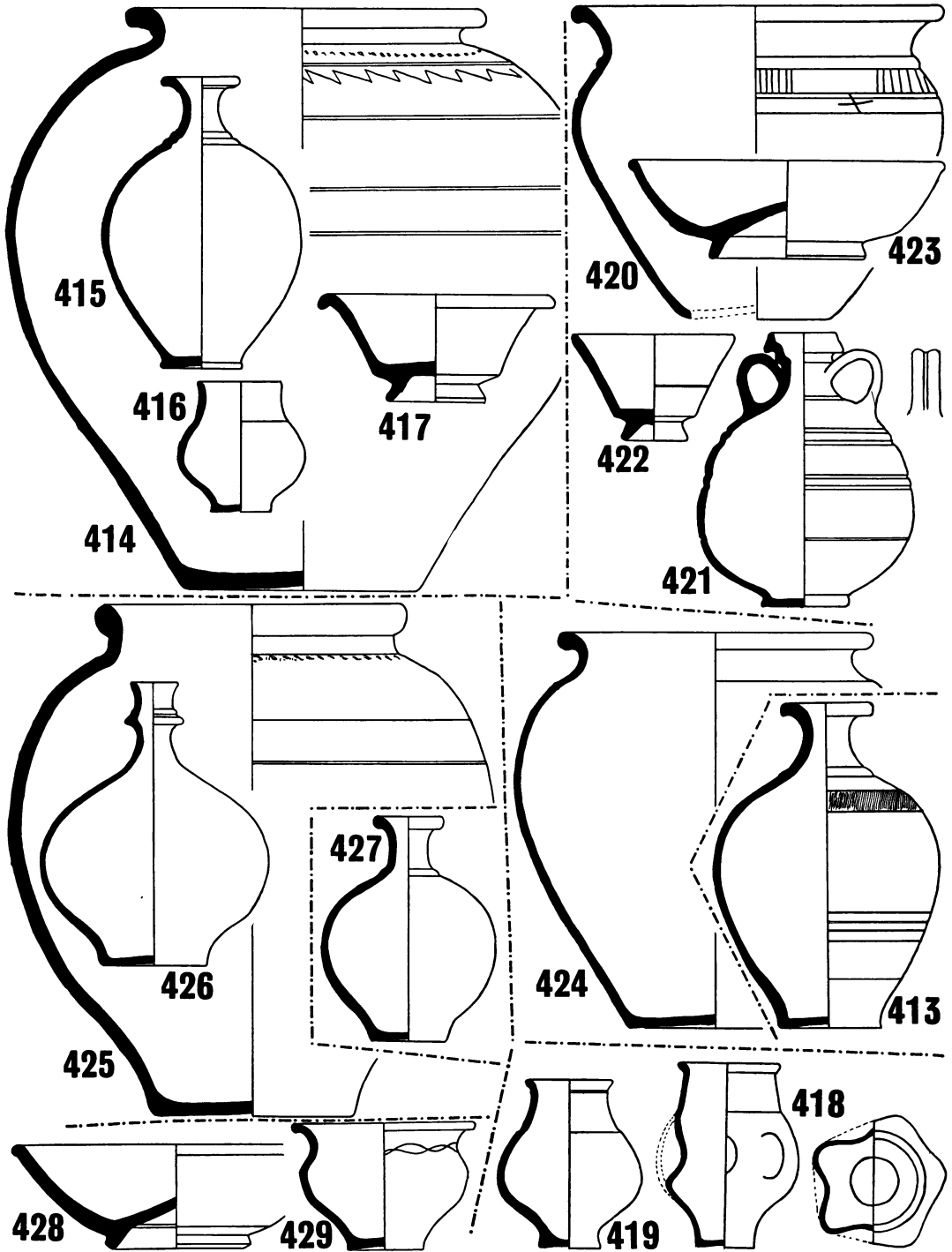
Pottery from No. 2 Cemetery, excavated in 1925 ($\frac{1}{4}$). Groups CXIII to CXVII

PLATE XXXVI



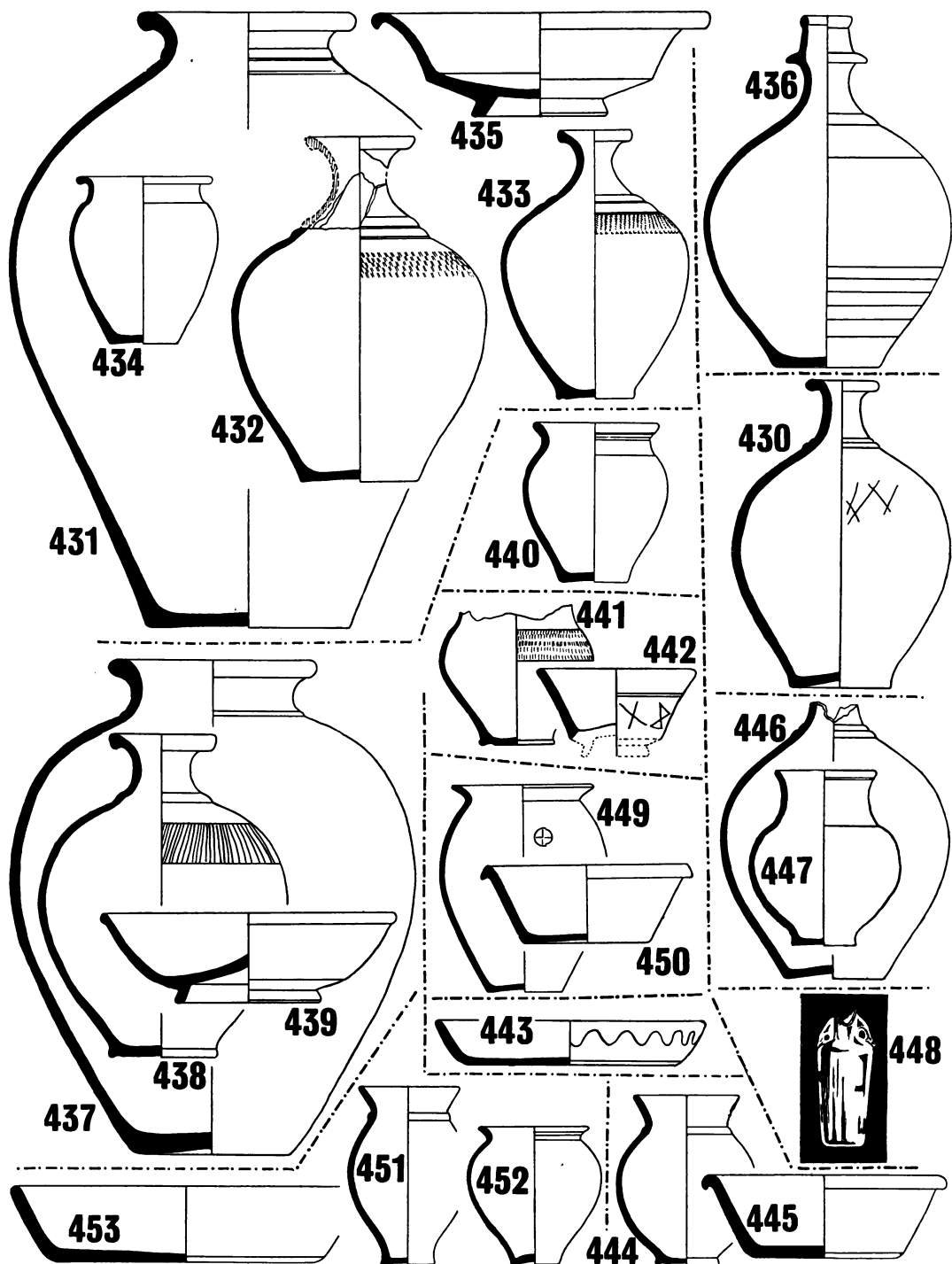
Pottery from No. 2 Cemetery, excavated in 1925 ($\frac{1}{4}$). Group CXVIII to Grave (E.D.)

PLATE XXXVII



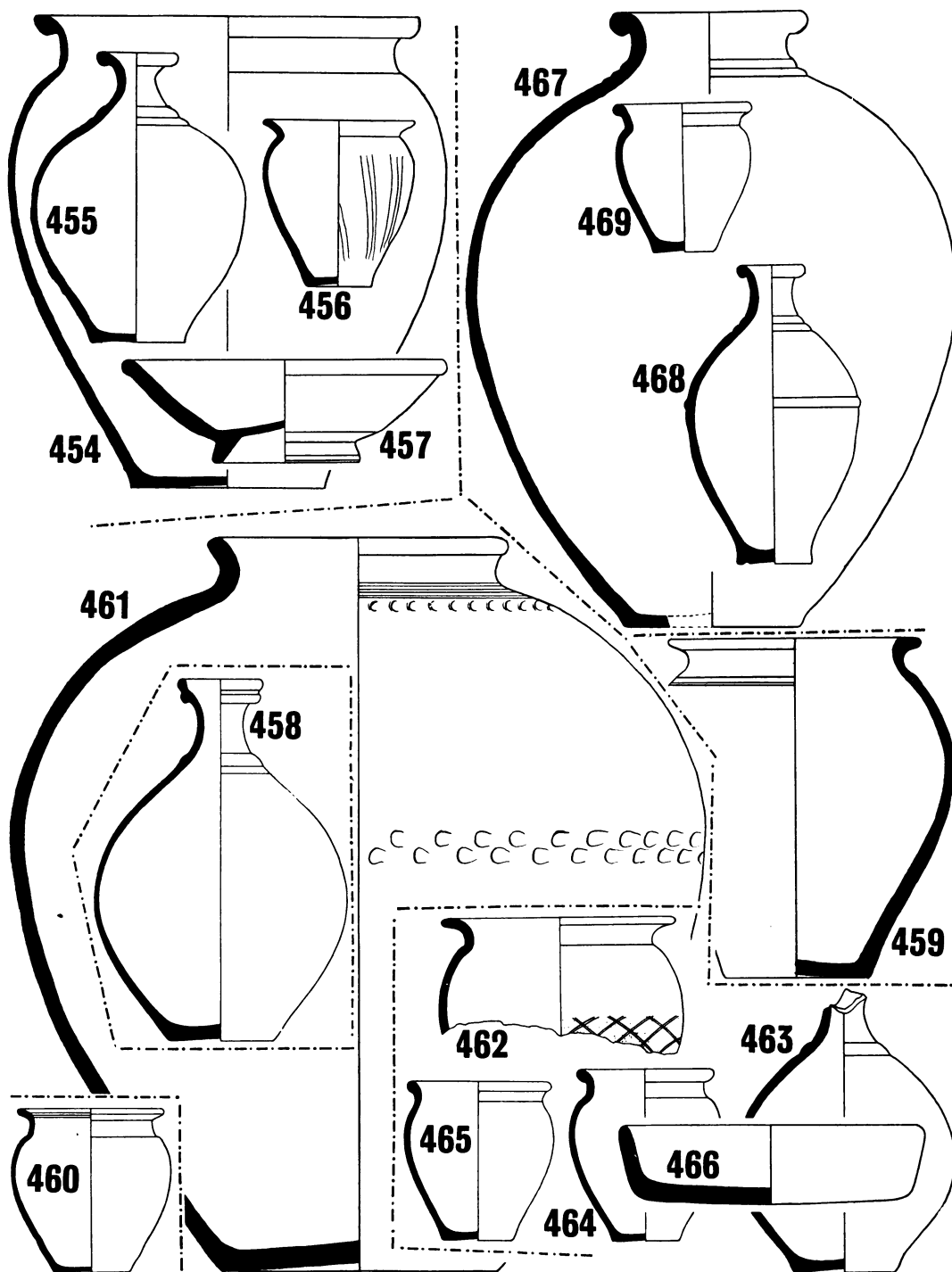
Pottery from No. 2 Cemetery, excavated in 1925 ($\frac{1}{4}$). Groups CXXVI to CXXXIII

PLATE XXXVIII



Pottery from No. 2 Cemetery, excavated in 1925 ($\frac{1}{4}$). Groups CXXXIV to CXLIII

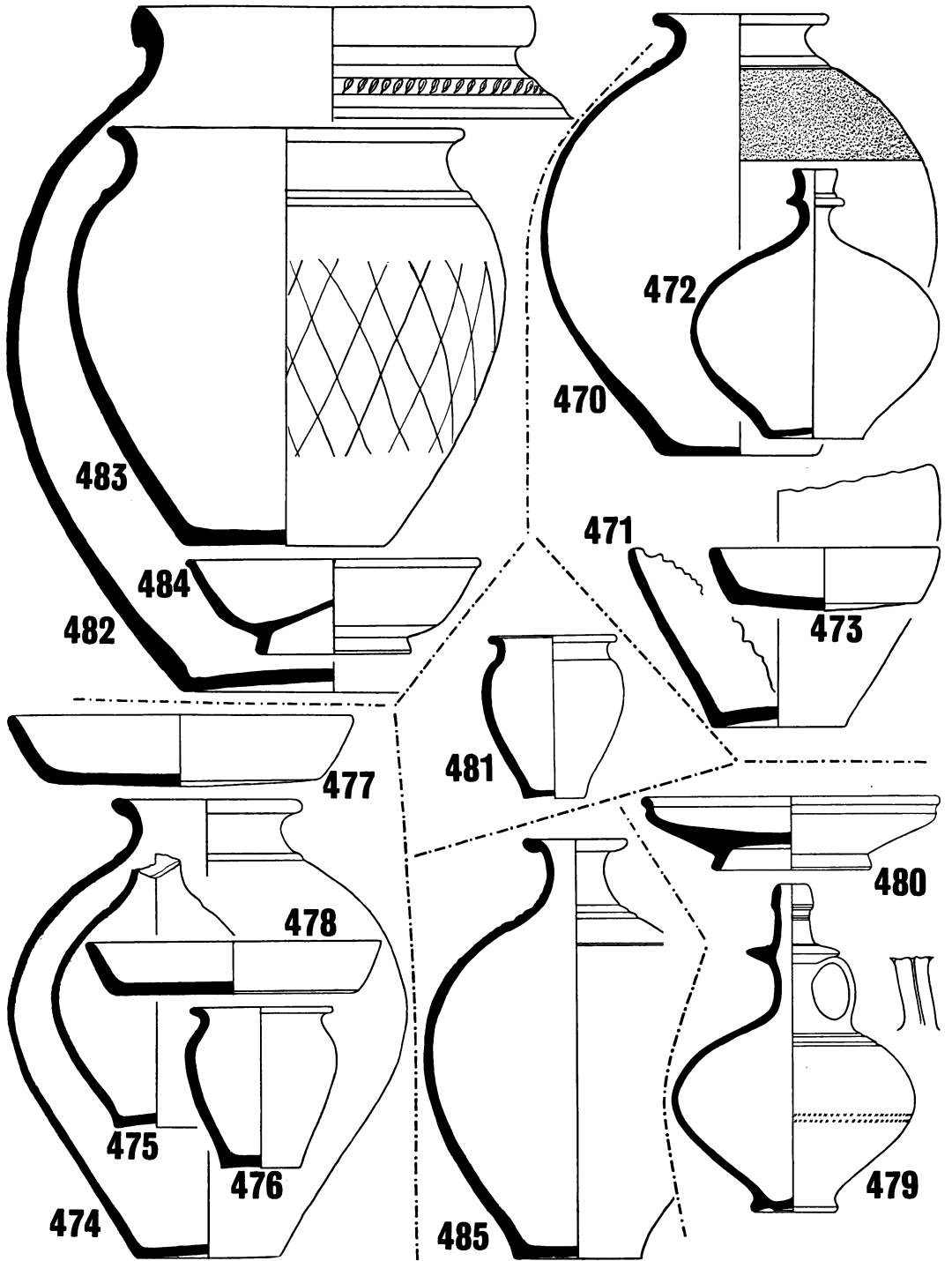
PLATE XXXIX



Pottery from No. 2 Cemetery, excavated in 1925 ($\frac{1}{4}$). Groups CXLIV to CXLVI

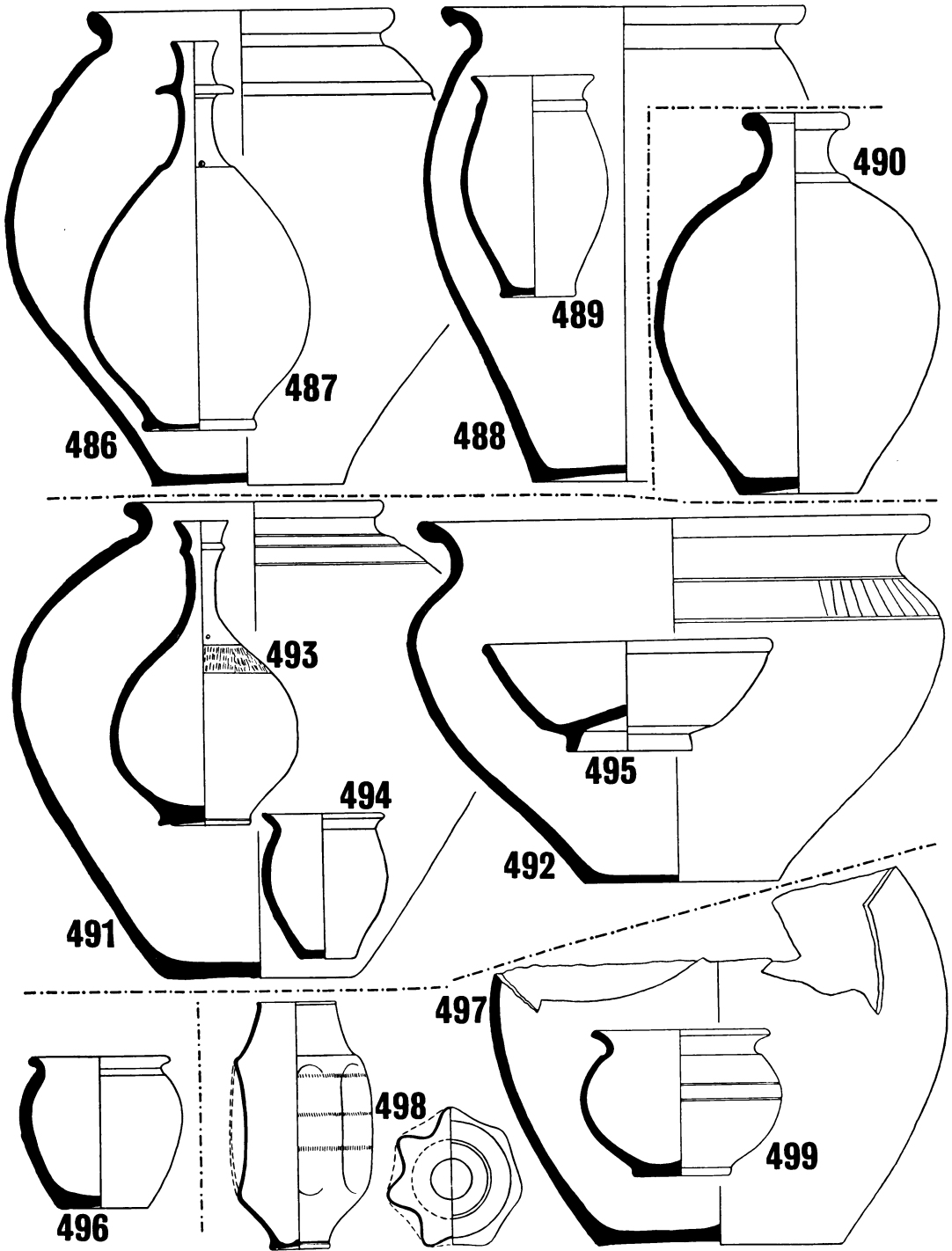
Published by the Society of Antiquaries of London, 1931

PLATE XL



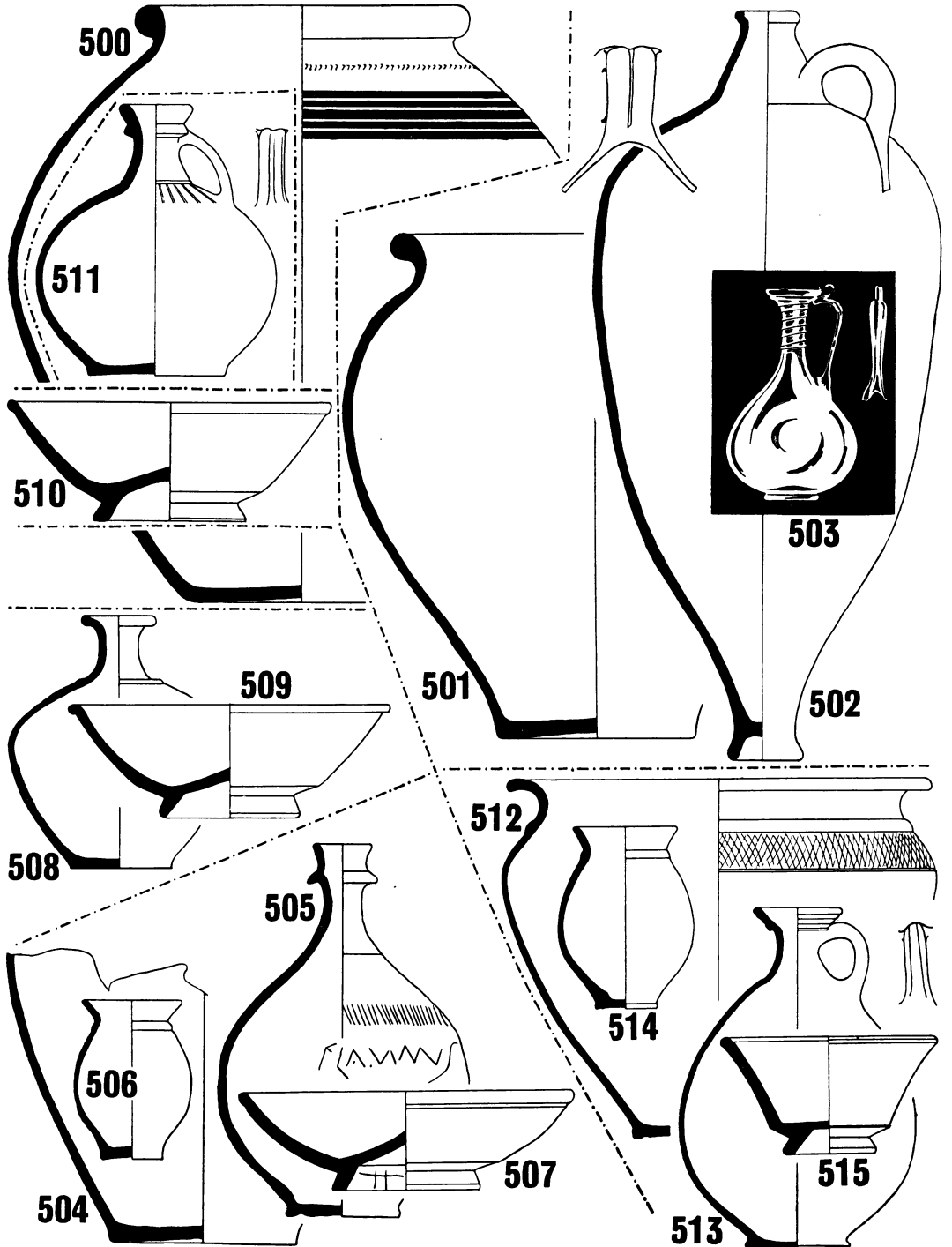
Pottery from No. 2 Cemetery, excavated in 1925 ($\frac{1}{4}$). Groups CXLVII to CLII

PLATE XLI



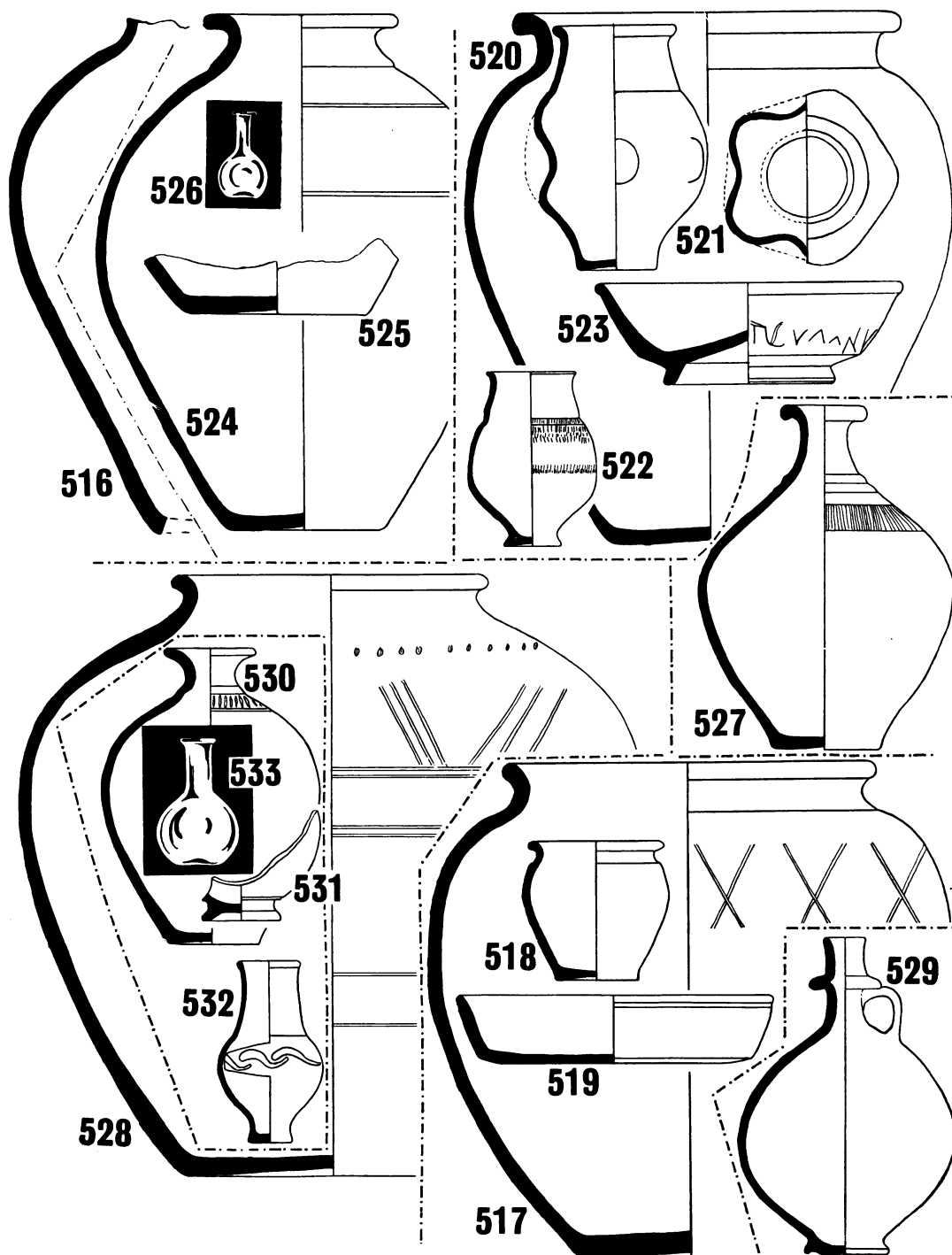
Pottery from No. 2 Cemetery, excavated in 1925 ($\frac{1}{4}$). Groups CLIII to CLVI

PLATE XLII



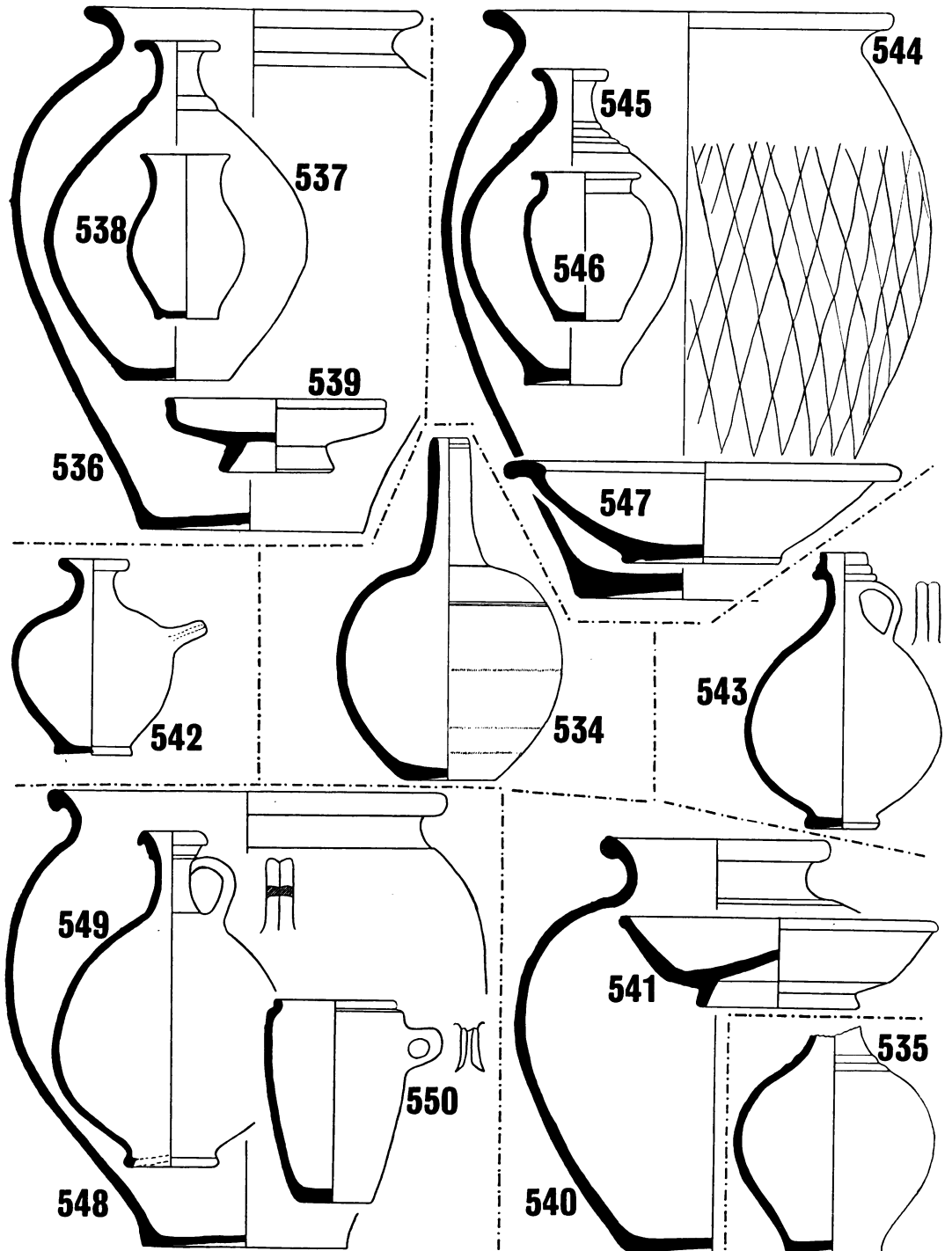
Pottery from No. 2 Cemetery, excavated in 1925 ($\frac{1}{4}$). Grave (G.N.) to Group CLXI

PLATE XLIII



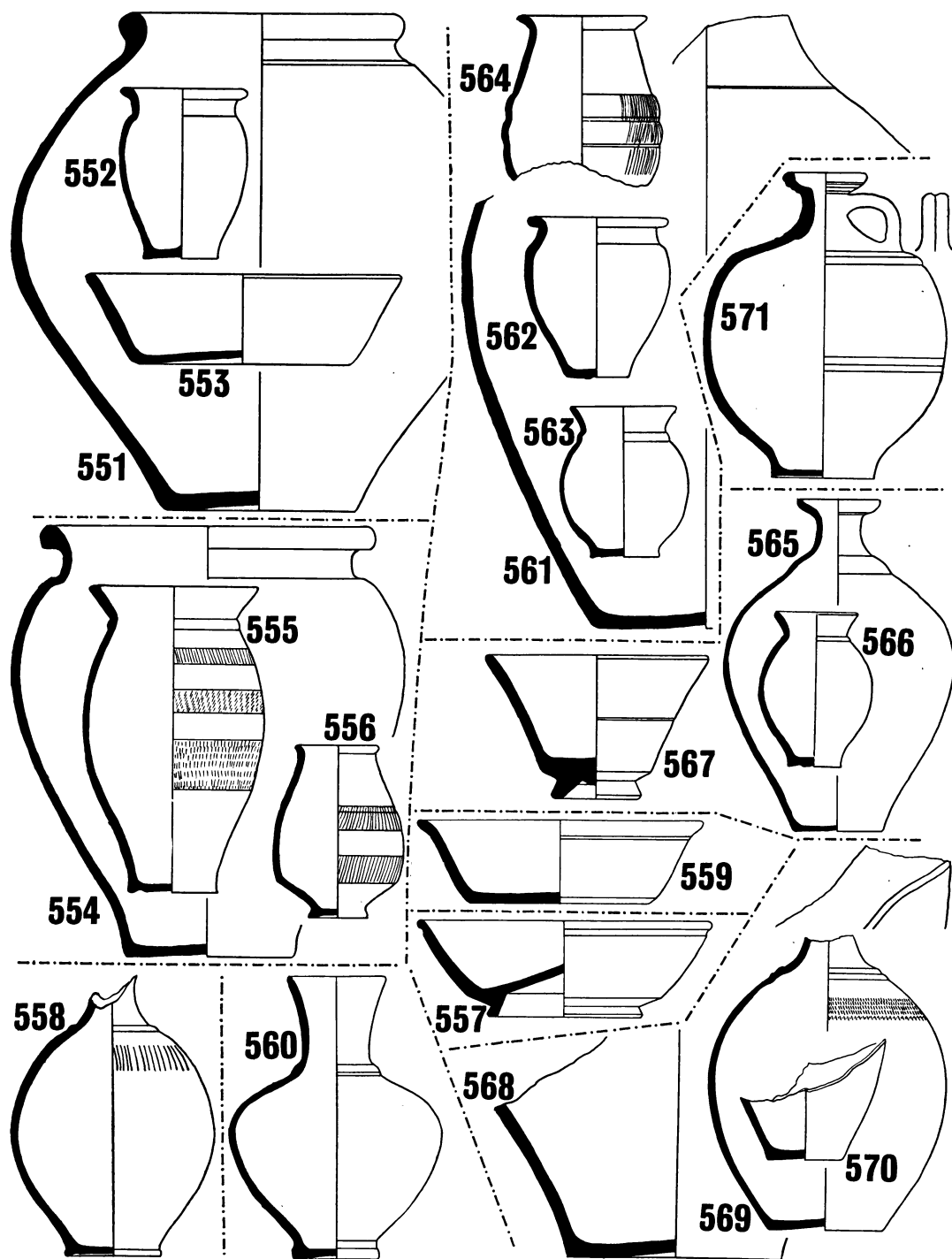
Pottery from No. 2 Cemetery, excavated in 1925 ($\frac{1}{4}$). Grave (G.U.) to Group CLXV

PLATE XLIV



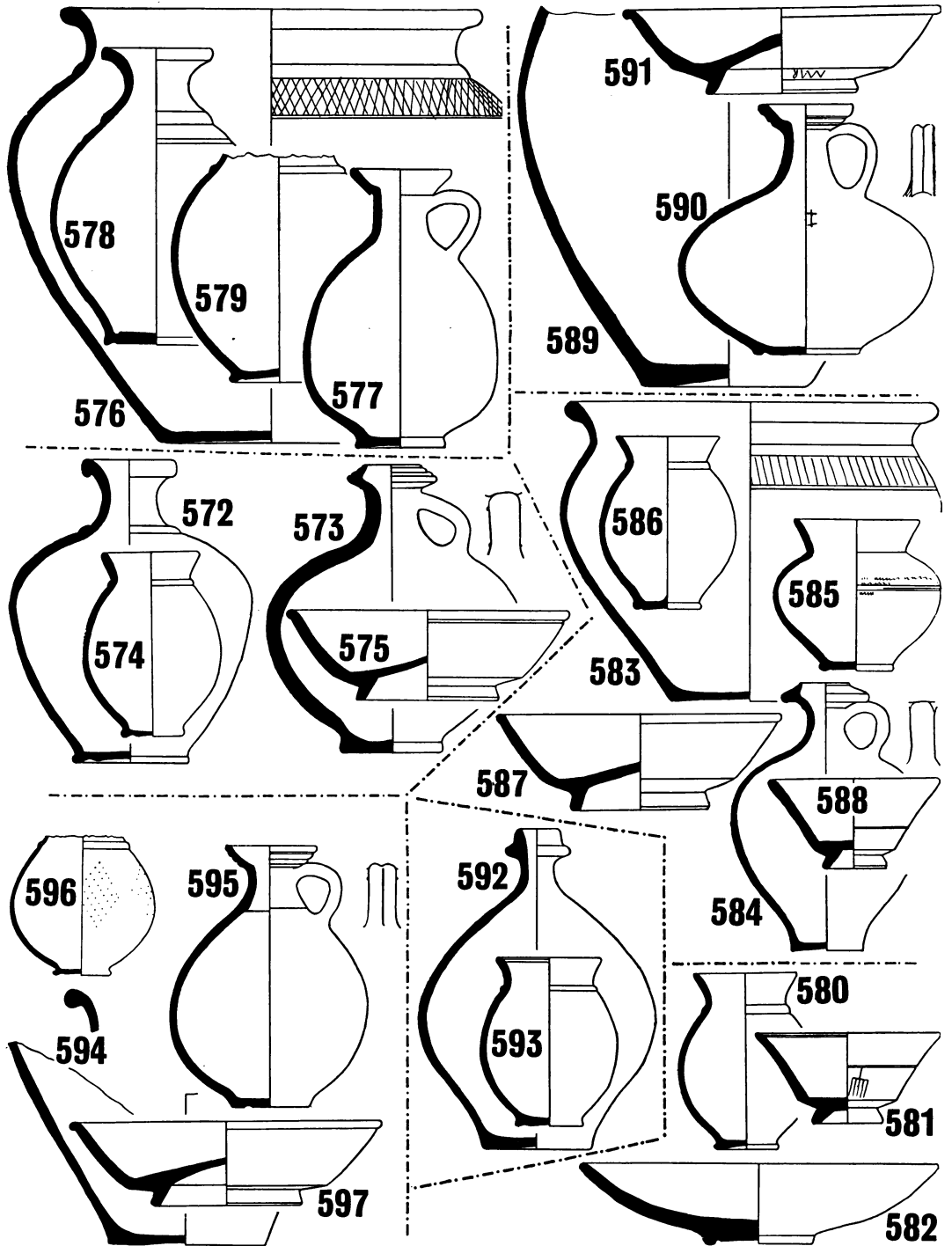
Pottery from No. 2 Cemetery, excavated in 1925 ($\frac{1}{4}$). Grave (H.E.) to Group CLXIX

PLATE XLV



Pottery from No. 2 Cemetery, excavated in 1925 ($\frac{1}{4}$). Group CLXX to Grave (J.B.)

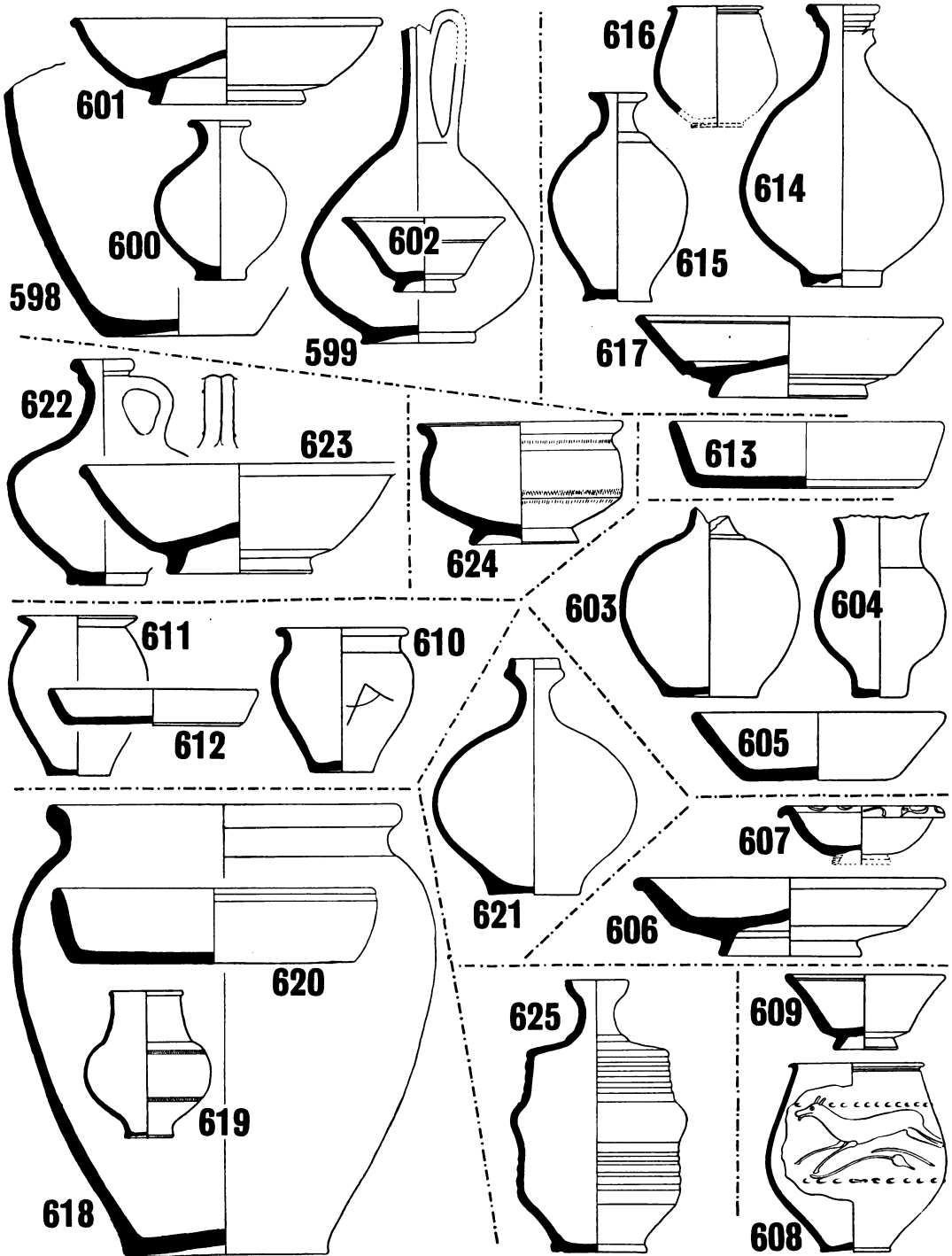
PLATE XLVI



Pottery from No. 2 Cemetery, excavated in 1925 ($\frac{1}{4}$). Groups CLXXVIII to CLXXXIV

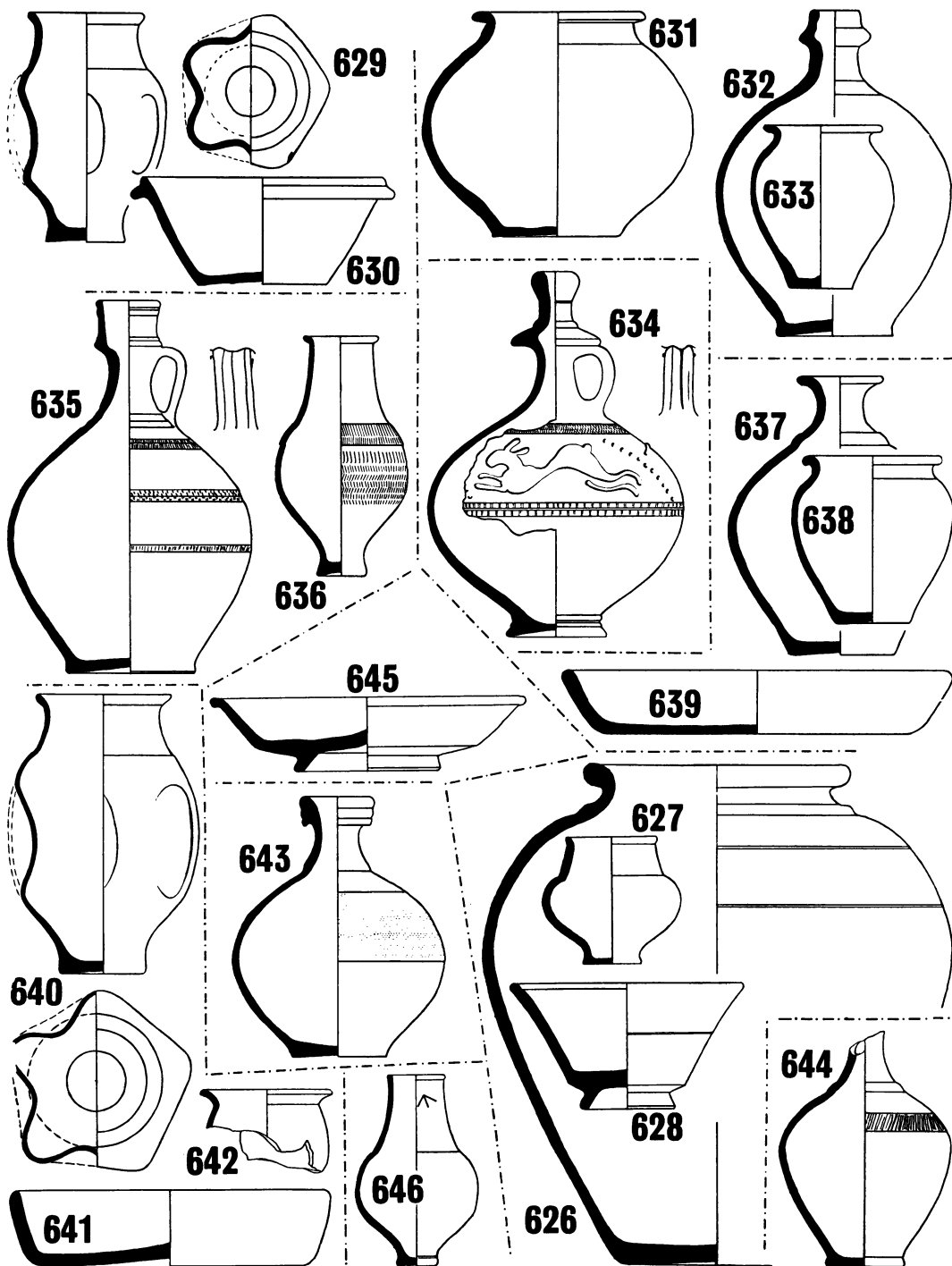
Published by the Society of Antiquaries of London, 1931

PLATE XLVII



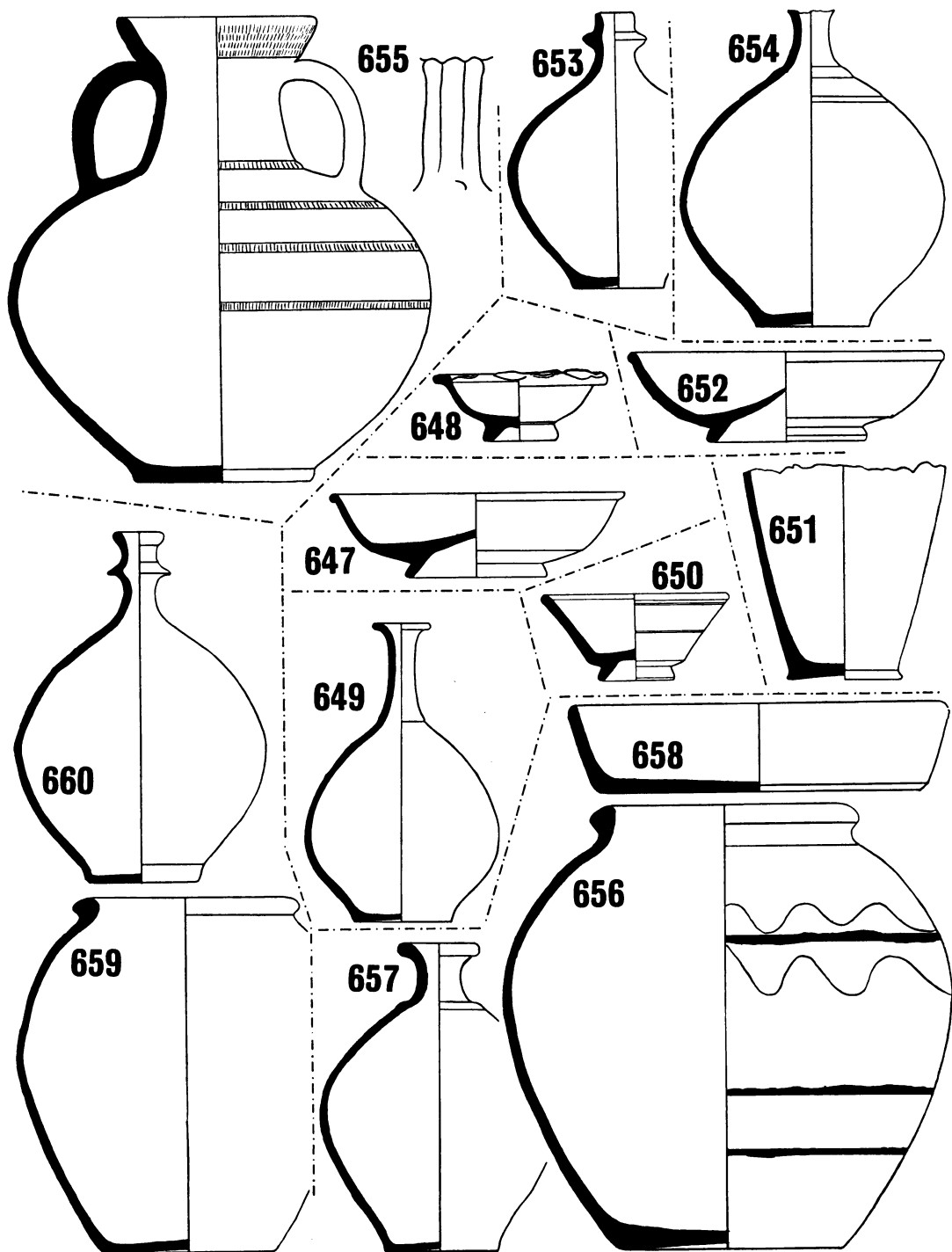
Pottery from No. 2 Cemetery, excavated in 1925 ($\frac{1}{4}$). Group CLXXXV to Grave (K.A.)

PLATE XLVIII



Pottery from No. 2 Cemetery, excavated in 1925 ($\frac{1}{4}$). Group CXCV to odd pot No. 646

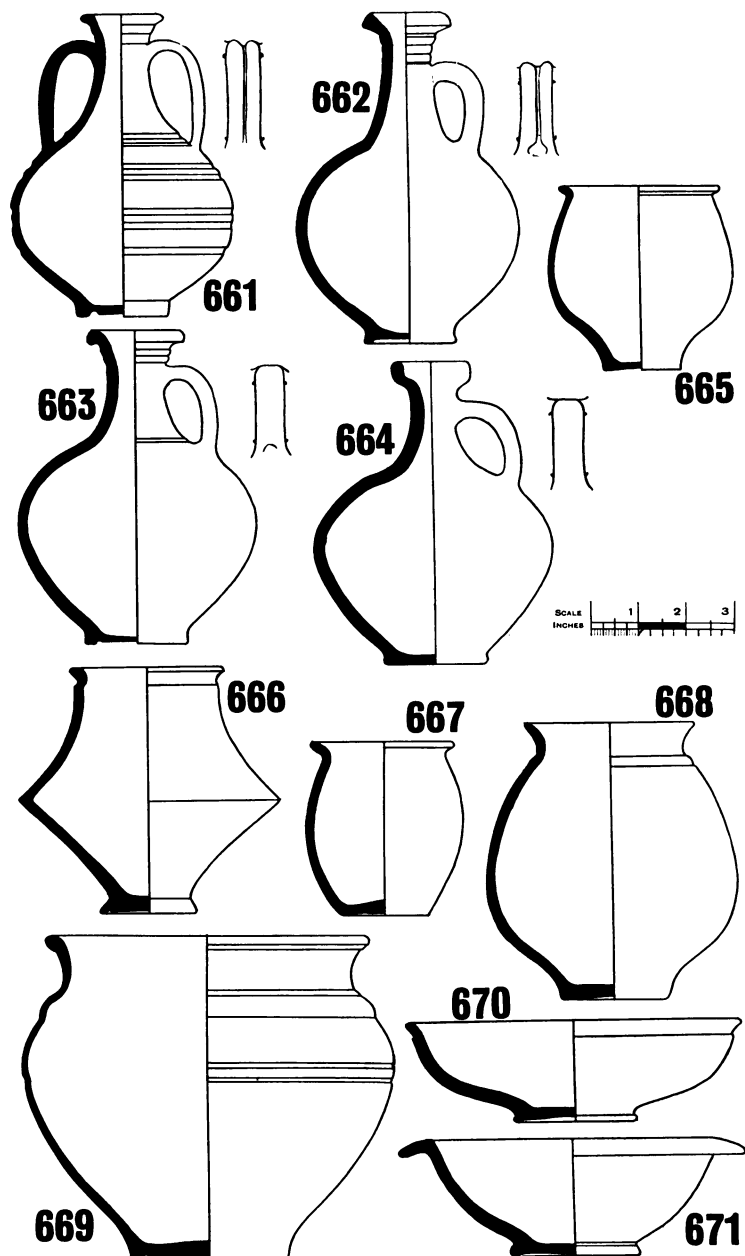
PLATE XLIX



Pottery from No. 2 Cemetery, excavated in 1925 ($\frac{1}{4}$). Odd pots 647 to 655; 656 to 660 comprise Groups CCI and CCII excavated in 1926 in Syndale Park

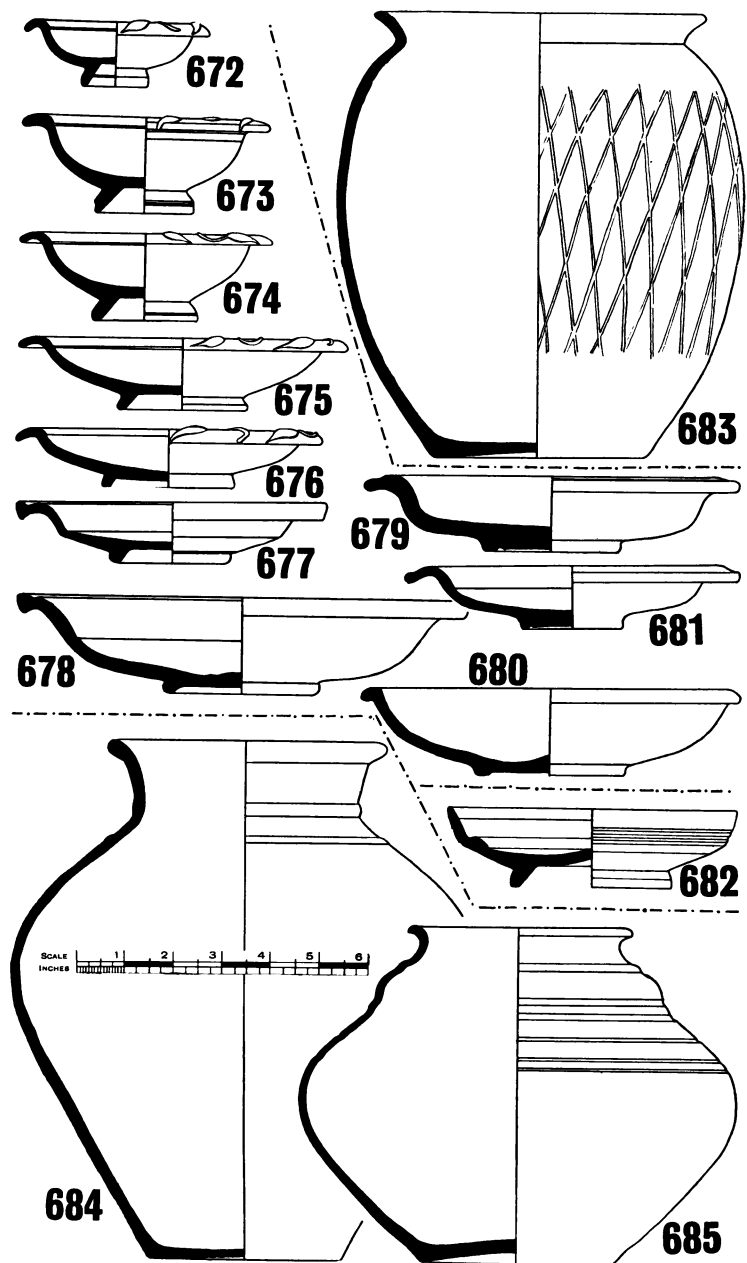
Published by the Society of Antiquaries of London, 1931

PLATE L



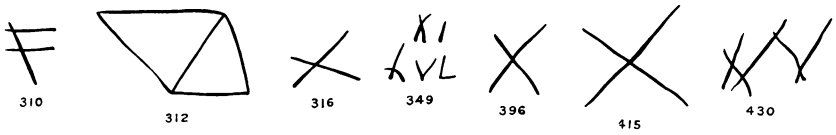
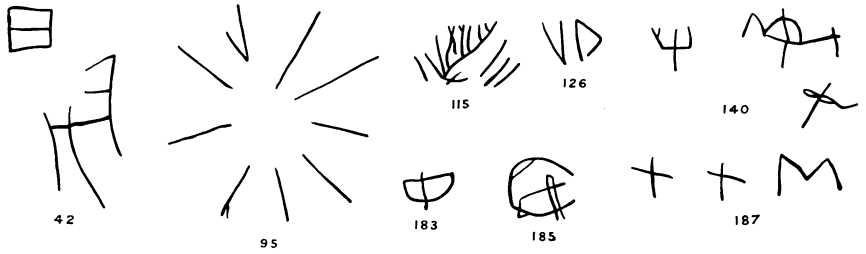
Pottery from Syndale Valley, Ospringe, excavated in 1913
For description see *Arch. Cant.*, xxxi, 284 and xxxix, 37-40

PLATE LI

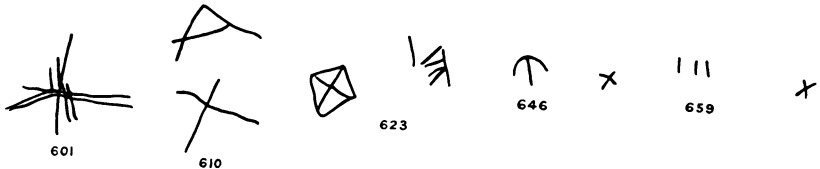
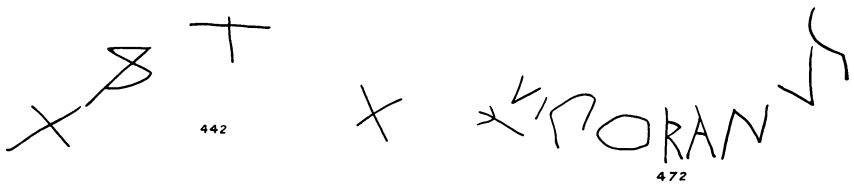


Pottery from Syndale Valley and Park, Ospringe, excavated in 1913, 1915, and earlier. For description see *Arch. Cant.*, xxxix, 37-40

PLATE LII



DIVIXTV METTIA CO'NA
389



Graffiti of Owners' Marks (1/2)

PLATE LIII

A handwritten mark consisting of a large, stylized 'D' or 'E' shape on the left, followed by a vertical line, and then a larger 'E' shape with a horizontal bar above it.

Graffito on Amphora No. 85
(*Arch. Cant.*, xxxvii, p. 85)

A collection of handwritten characters arranged in three rows. The first row contains 'E', 'V', and 'I'. The second row contains 'A', 'R', and 'I'. The third row contains 'D', 'E', and 'F'.

Graffito on Amphora No. 91. Group XXVII
(*Arch. Cant.*, xxxvii, 87)

A large handwritten symbol consisting of a semi-circular arc at the bottom. Inside the arc, there are several vertical and horizontal lines forming a cross-like structure with additional strokes.

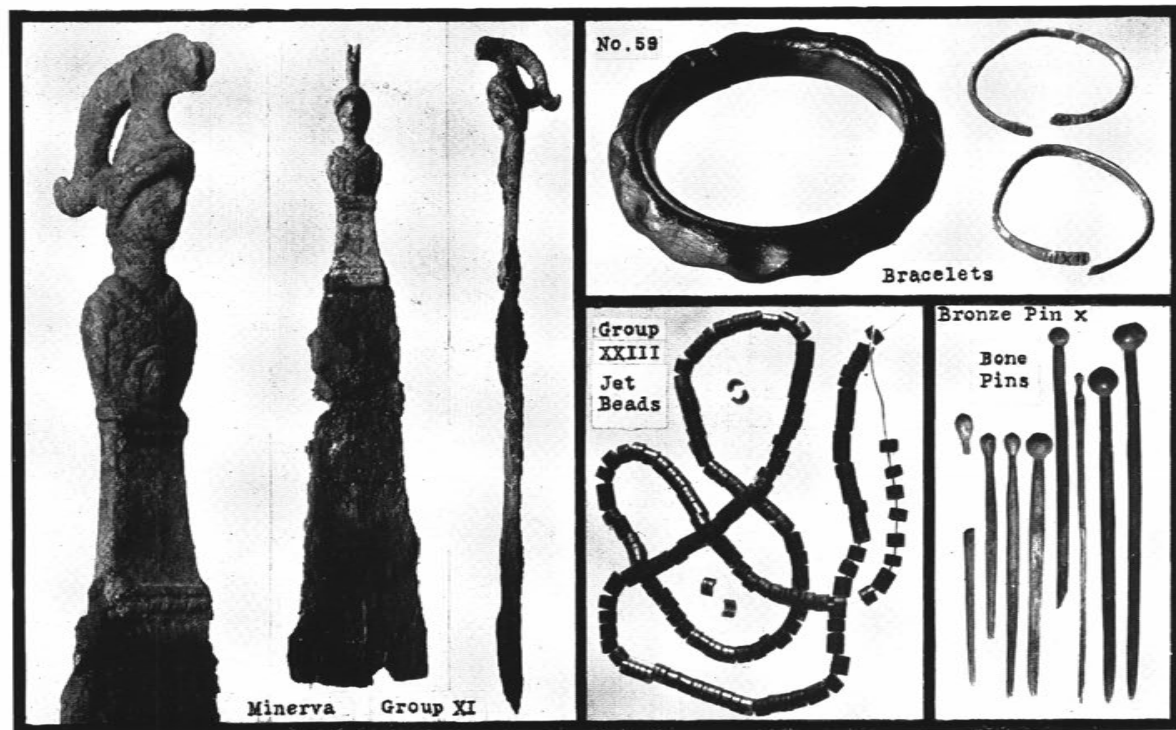
Graffito on fragment of an Amphora, not numbered ($\frac{1}{2}$)

PLATE LIV



Inscribed Samian bowl, see Group CLVI (G.M.)

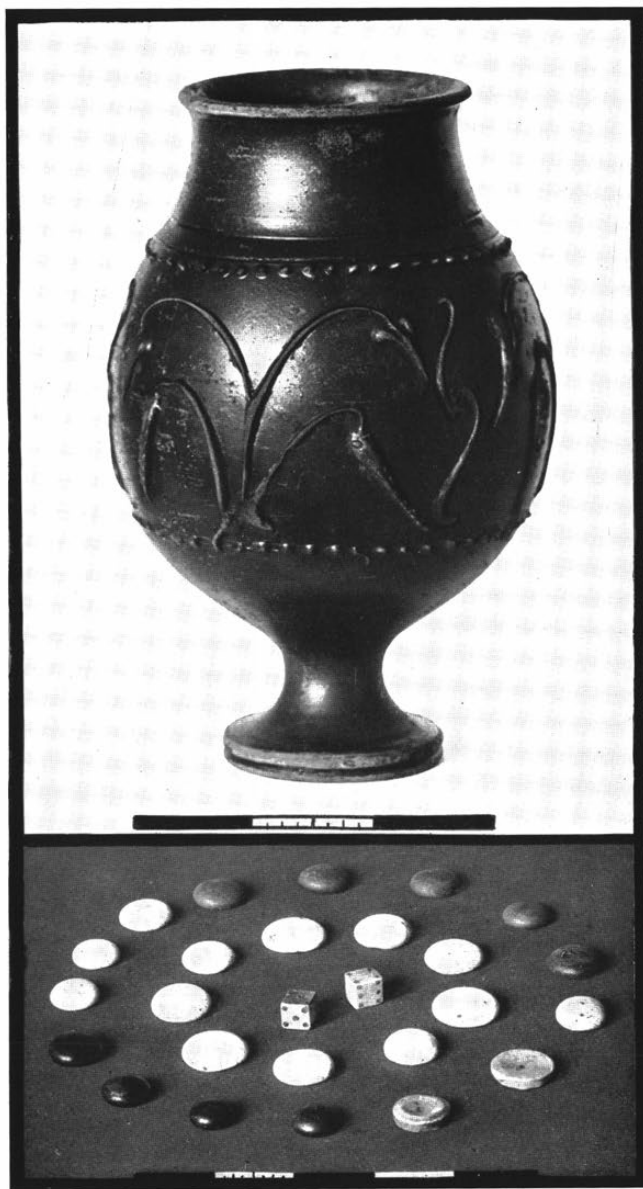
Published by the Society of Antiquaries of London, 1931



Small finds (*Arch. Cant.*, xxxvi)

Published by the Society of Antiquaries of London, 1931

PLATE LVI



Cup No. 123, dice and counters. Group XXXVII
(*Arch. Cant.*, xxxvii, 93-95)
For this cup see note in Addenda, p. 106

PLATE LVII



Fig. 1. Brooch (Group XLI) and bracelet ($\frac{1}{4}$)

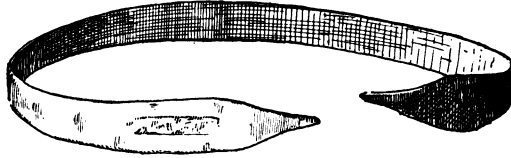


Fig. 2. Ring and bracelets, Group LXII ($\frac{1}{4}$)

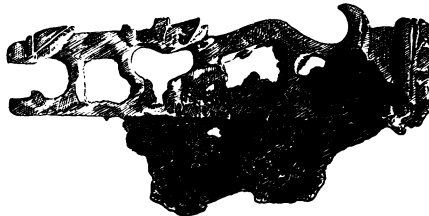
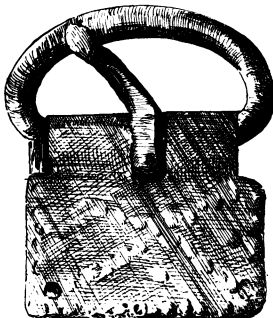


Fig. 3. Bronze buckle and clasp knife ($\frac{3}{4}$)

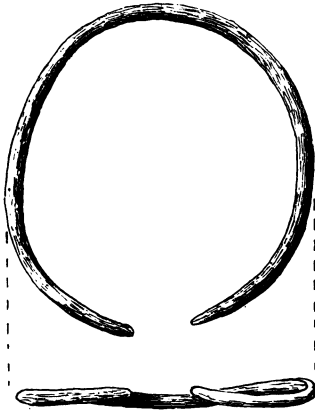
SMALL FINDS
(*Arch. Cant.*, xxxviii)

Published by the Society of Antiquaries of London, 1931

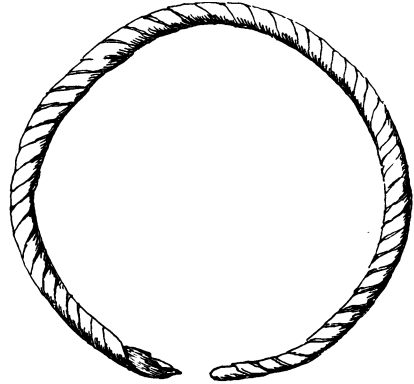
PLATE LVIII



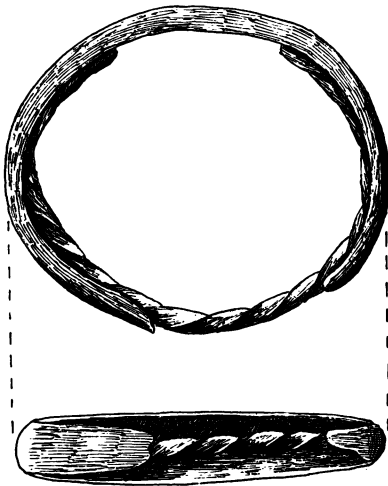
C.G.



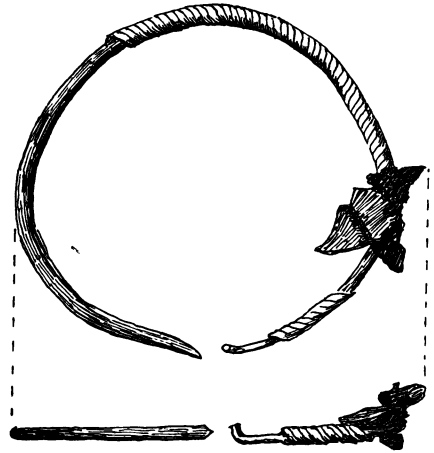
D.L.



SKELETON F.



D.X.



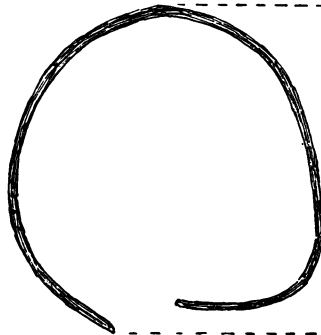
D.L.



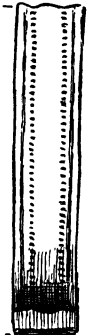
D.X.



D.X.



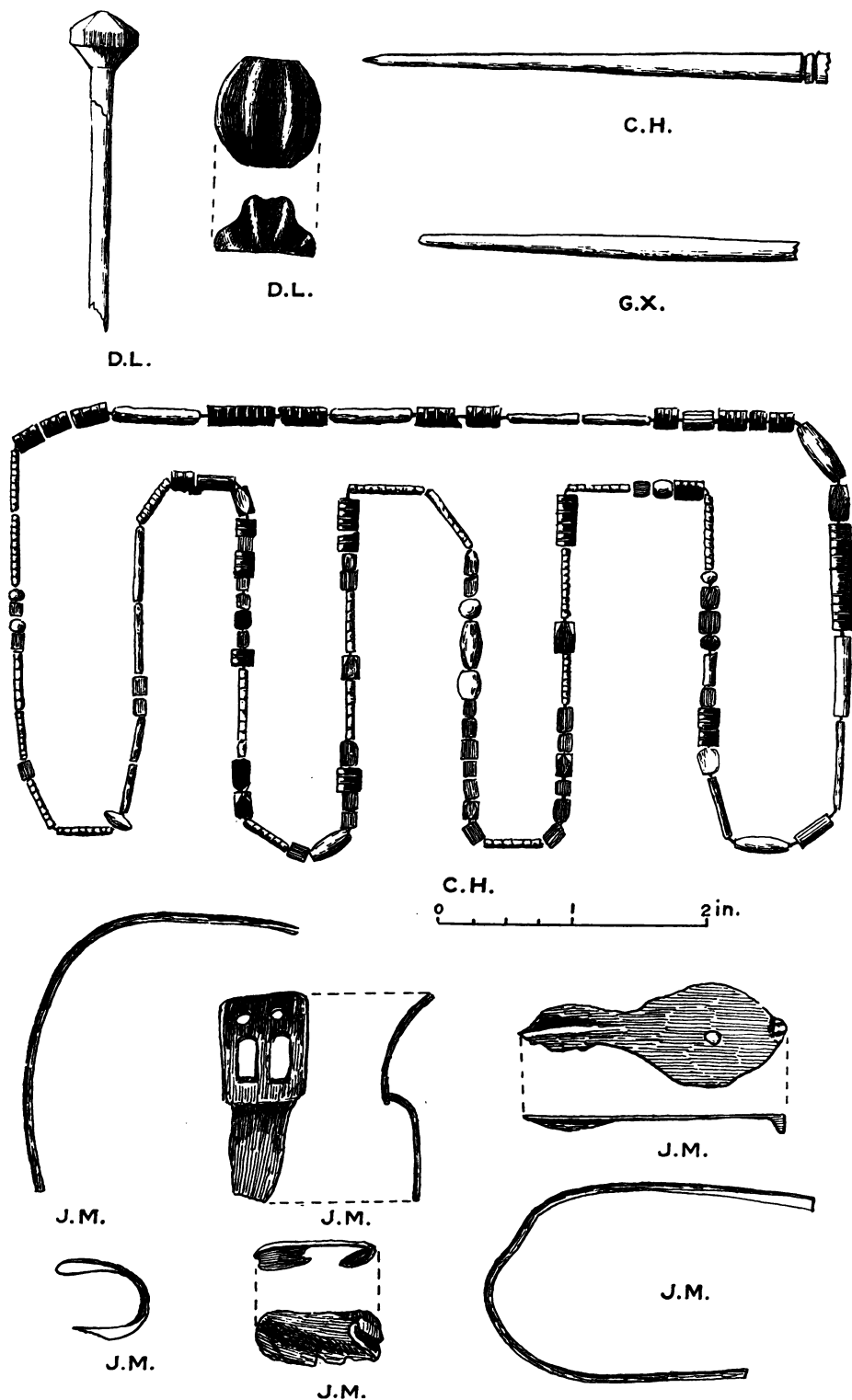
J.N.



Bronze objects (letters refer to Grave references. For skeleton F, see p. 100)

Published by the Society of Antiquaries of London, 1931

PLATE LX



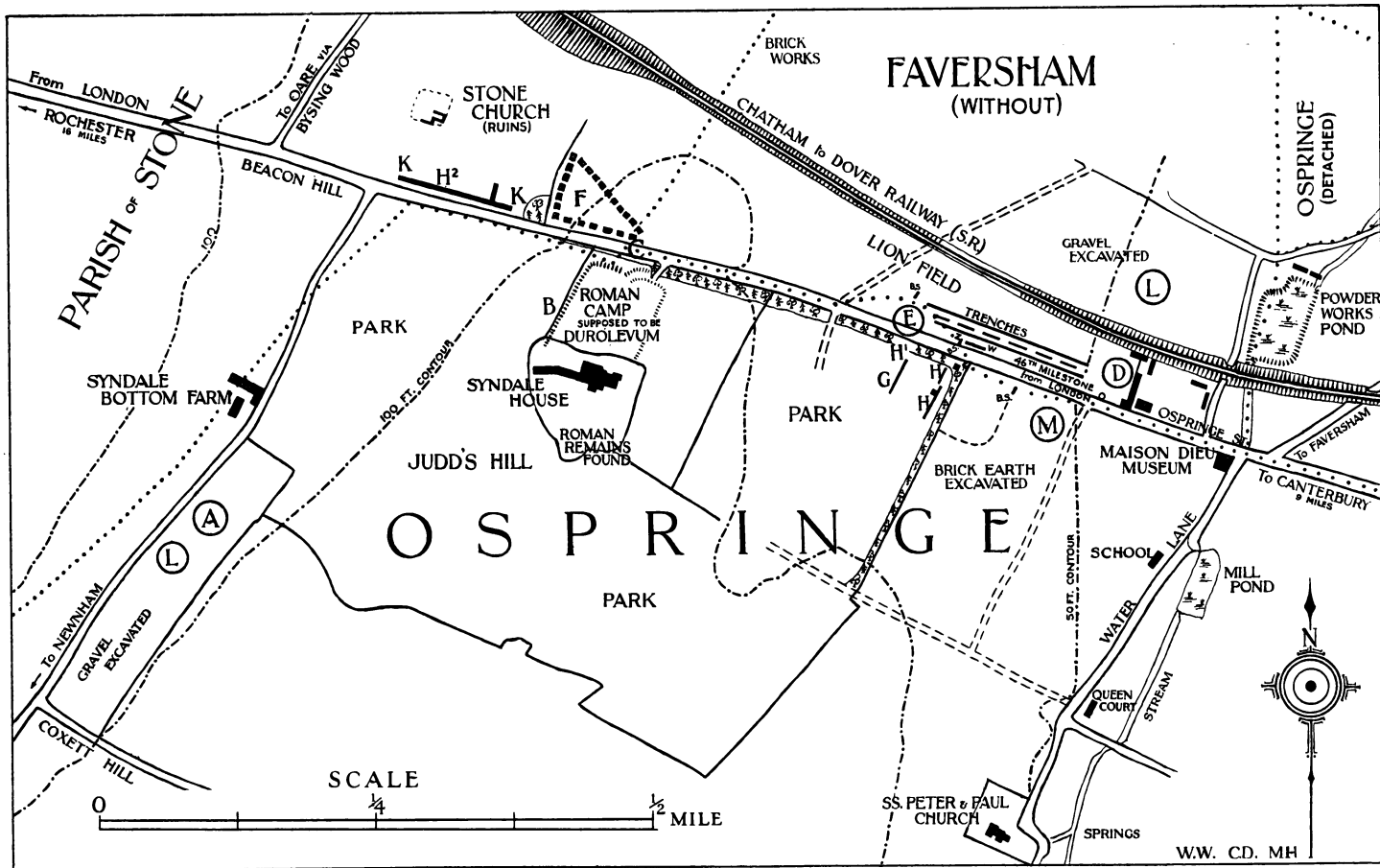
Bone, jet, and bronze objects (letters refer to Grave references)



Fig. 1. Group XLV (*Arch. Cant.*, xxxviii, 131, and this report p. 106)

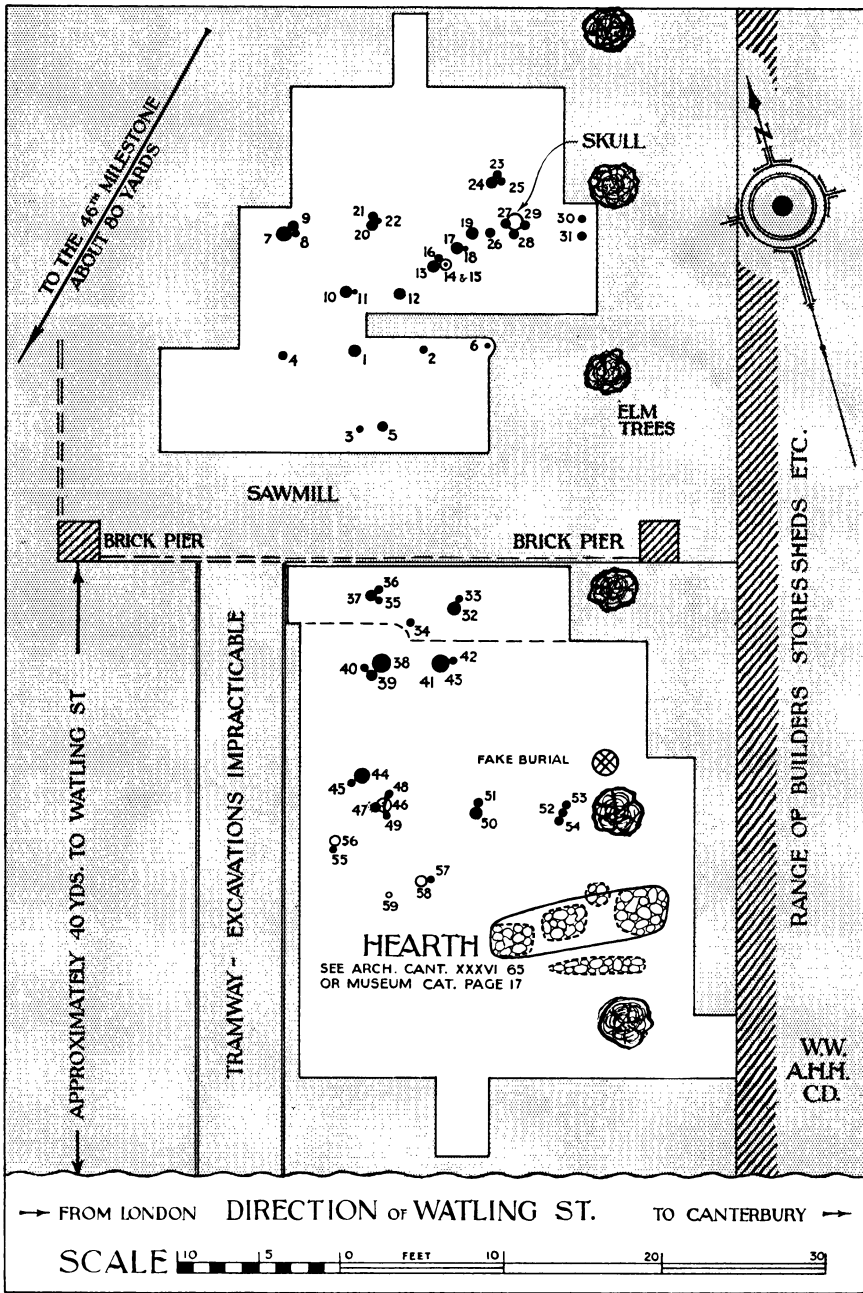


Fig. 2. Group CXLV (F.W.)

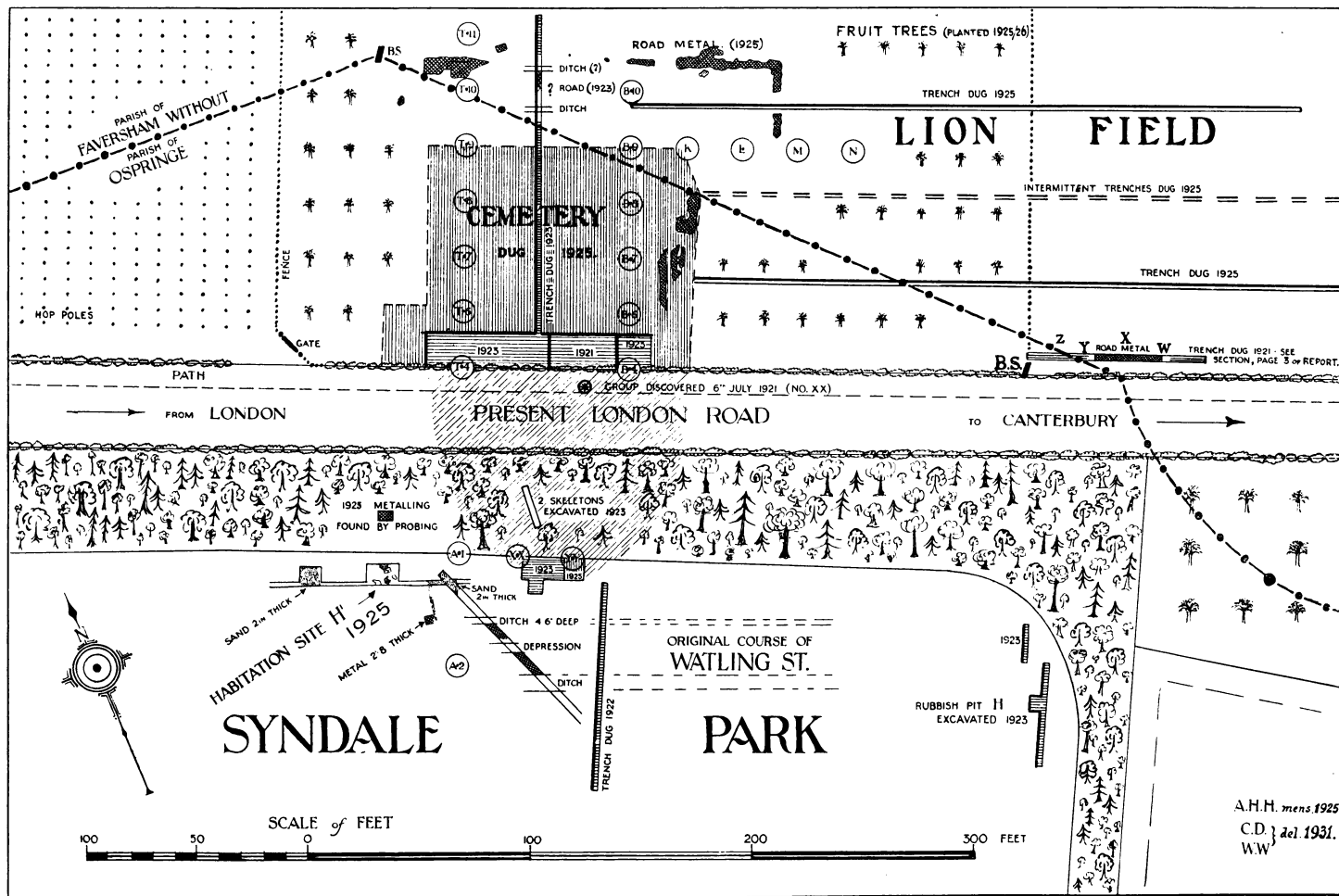


Map of Ospringe showing the sites excavated

Published by the Society of Antiquaries of London, 1931



Plan showing disposition of Graves in No. 1 Cemetery, 'D' on pl. LXII
 Excavated 1920 and 1921. Pots 1-57, Group I to XVIII
 For full description see *Arch. Cant.*, xxxv and xxxvi



Plan showing progressive excavation of no. 2 cemetery, 'E' on pl. 1.XII
 For description 1921-1923 see *Arch. Cant.* xxxvi to xxxviii, and 1925 in this Report