



## Energize the Base of the Pyramid (BOP)!

Contributions to scale-up energy access in Nigeria  
and Senegal

Mart Verhoog, Robert Holländer (Eds.)





## **Energize the Base of the Pyramid (BOP)!**

Contributions to scale-up energy access in Nigeria and Senegal

Mart Verhoog, Robert Holländer (Eds.)

Studien zu Infrastruktur und Ressourcenmanagement

Herausgegeben von

Thomas Bruckner, Erik Gawel, Robert Holländer, Daniela Thrän

Band 9

**Sudien zu Infrastruktur und Ressourcenmanagement**  
Studies in Infrastructure and Resources Management

Herausgegeben von

Thomas Bruckner, Erik Gawel, Robert Holländer, Daniela Thrän

Universität Leipzig

Wirtschaftswissenschaftliche Fakultät

Institut für Infrastruktur und Ressourcenmanagement

Grimmaische Strasse 12

04109 Leipzig

Tel.: +49(0)341 / 9733 870

Fax: +49(0)341 / 9733 879

E-Mail: [umwelt@wifa.uni-leipzig.de](mailto:umwelt@wifa.uni-leipzig.de)

<http://www.wifa.uni-leipzig.de/iirm/>

Bild Titelseite/Picture Cover: [iStockphoto.com/Diversity Studio](https://www.istockphoto.com/DiversityStudio)

Bibliografische Information der Deutschen Nationalbibliothek

Die Deutsche Nationalbibliothek verzeichnet diese Publikation in der Deutschen Nationalbibliografie; detaillierte bibliografische Daten sind im Internet über <http://dnb.d-nb.de> abrufbar.

© Copyright Logos Verlag Berlin GmbH 2019

Alle Rechte vorbehalten.

ISBN 978-3-8325-4903-9

ISSN 2191-9623

Logos Verlag GmbH

Comeniushof, Gubener Str. 47,

10243 Berlin

Tel.: +49(0)30 / 42 85 10 90

Fax: +49(0)30 / 42 85 10 92

<http://www.logos-verlag.d>



Dieses Buch wurde möglich gemacht durch die freundliche Unterstützung des

This book was made possible with the kind financial support of



Joint International Master in Sustainable Development



## Preface

In many countries of the Global South, energy infrastructure is holey, unreliable or simply not existent. This leads to different kinds of severe problems. Just to name a few: Family members, mostly women, spend hours every day to collect firewood for cooking. In many cases, they suffer under pulmonary diseases, because they have no access to clean cooking facilities. And companies are less productive without access to electricity. This present edition of *Studies in Infrastructure and Resources Management* looks at two different energy access scale-up projects in the sub-Saharan countries Nigeria and Senegal.

It is key that people can build their existence on energy access, as this positively impacts so many aspects of life. It is for this reason that the United Nations have stated “Ensure access to affordable, reliable, sustainable and modern energy for all” as a central Sustainable Development Goal in the year 2015.

Students of the *Joint International Master on Sustainable Development* worked on this topic and on different energy access scale-up projects during their third semester at Leipzig University. In this semester, students are requested to work on an “integration project”: integrating various aspects of sustainable development in a particular case study. The class of 2017 approached energy access from the interdisciplinary perspective of sustainable development, anchored however in the field of Economics and Management Science to ensure feasibility of their work. We are pleased to present some of their work on off grid energy systems and biogas technology implementation.

Yvonne Ayaribil, Daria Bykova, Georgi Kazandzhiev and Fernandina Celine Setiawan analysed different off-grid renewable electricity generation systems and assessed different technical options. With the help of the energy system simulation software HOMER and multi criteria decision analysis, they very systematically work out pros and cons of different technical setups for a rural community in Nigeria.

Furthermore, Julia Kostin, Marie Strauss and Nika Tavčar analysed different past biogas implementation projects and discussed this topic with different specialists in the field. Based on this, they are able to deviate different Key Success Factors for biogas implementation projects. The result of their work is a detailed and tailor made biogas implementation plan for a rural community in Senegal.

Justified by the significant level of detail and corresponding depth in the work of the authors, we highly recommend practitioners and scientists in the field of energy access scale-up to read these contributions.

Dr. Mart Verhoog

Prof. Dr. Robert Holländer

February 2019, Leipzig





## **Contents of this book**

*The analysis of off-grid renewable electricity generation systems for a community in Sokoto State, Nigeria*

by Yvonne Ayaribil, Daria Bykova, Georgi Kazandzhiev and Fernandina Celine Setiawan..... 1

*Implementing sustainable domestic biogas projects in rural Tambacounda, Senegal*

by Julia Kostin, Marie Strauss and Nika Tavčar ..... 135



# **The analysis of off-grid renewable electricity generation systems for a community in Sokoto State, Nigeria**

by Yvonne Ayaribil, Daria Bykova, Georgi Kazandzhiev and  
Fernandina Celine Setiawan



## Table of Contents

<i>List of Figures</i> .....	5
<i>List of Tables</i> .....	7
<i>List of Abbreviations</i> .....	9
<i>Abstract</i> .....	13
<b>1 Introduction</b> .....	<b>15</b>
<b>2 Literature Review</b> .....	<b>21</b>
<b>2.1 Background of Nigeria</b> .....	<b>21</b>
2.1.1 Geographical and demographical overview.....	21
2.1.2 Political background.....	24
2.1.3 Economy.....	25
2.1.4 Policy and Regulatory Framework.....	27
2.1.5 Nigeria’s current electricity scene.....	29
<b>2.2 Background of the State of Sokoto</b> .....	<b>30</b>
<b>2.3 Technical overview of renewable energy generation systems</b> .....	<b>31</b>
<b>2.4 Off-grid renewable energy projects</b> .....	<b>34</b>
2.4.1 Successful Projects.....	34
2.4.2 Failed projects.....	35
<b>2.5 Process and barriers to new technology adaptation</b> .....	<b>36</b>
2.5.1 Technology diffusion.....	36
2.5.2 Barriers to the implementation of renewable energy (RE) projects in Nigeria...	37
<b>2.6 Criteria in renewable energy projects decision-making</b> .....	<b>39</b>
2.6.1 Financial criteria.....	39
2.6.2 Sociopolitical criteria.....	40
2.6.3 Environmental criteria.....	41
<b>2.7 HOMER Pro Software</b> .....	<b>43</b>
<b>3 Methodology</b> .....	<b>45</b>
<b>3.1 Village modelling and load assessment</b> .....	<b>45</b>
<b>3.2 HOMER Pro simulations</b> .....	<b>45</b>
<b>3.3 Multi-Criteria Decision Analysis (MCDA)</b> .....	<b>52</b>
3.3.1 Scoring method.....	55
3.3.2 Financial Criteria.....	55
3.3.3 Social criteria.....	56

3.3.4	Environmental Criteria .....	57
<b>4</b>	<b>Results.....</b>	<b>59</b>
<b>4.1</b>	<b>Village profile and load .....</b>	<b>59</b>
4.1.1	Village profile.....	59
4.1.2	Village electricity load profile .....	60
<b>4.2</b>	<b>HOMER Pro results .....</b>	<b>62</b>
4.2.1	Wind with lead acid batteries.....	62
4.2.2	Wind with Lithium-Ion batteries .....	62
4.2.3	Diesel system .....	63
4.2.4	PV and Lead Acid Battery system .....	65
4.2.5	PV and Lithium-ion Battery system .....	68
4.2.6	PV-Diesel hybrid and lead acid batteries .....	70
4.2.7	PV-Diesel hybrid with Lithium Ion batteries.....	75
<b>4.3</b>	<b>AHP and scoring results.....</b>	<b>79</b>
4.3.1	Main criteria weighting.....	80
4.3.2	Subcriteria weighting and resulting system performance .....	81
4.3.3	Social criterion.....	85
4.3.4	Environmental criteria .....	90
4.3.5	System performance in main criteria .....	96
<b>5</b>	<b>Discussion.....</b>	<b>99</b>
<b>5.1</b>	<b>Comparison of PV-Diesel/Li-ion with other systems.....</b>	<b>99</b>
<b>5.2</b>	<b>Other aspects of this electrification project.....</b>	<b>101</b>
5.2.1	Next steps .....	101
5.2.2	Training system .....	101
5.2.3	Prepaid system.....	102
5.2.4	Financials.....	102
5.2.5	Exclusion of wind system .....	104
<b>6</b>	<b>Limitations and shortcomings .....</b>	<b>105</b>
<b>7</b>	<b>Conclusion.....</b>	<b>107</b>
	<b>List of References.....</b>	<b>109</b>
	<b>Appendix.....</b>	<b>131</b>

## List of Figures

<i>Figure 1: Nigeria Population Pyramid [NIG2016]</i> .....	22
<i>Figure 2: AHP criteria hierarchization scheme</i> .....	54
<i>Figure 3: Scheme of wind turbine with lead acid batteries system</i> .....	62
<i>Figure 4: Scheme of wind turbine with Li-ion batteries system</i> .....	62
<i>Figure 5: Scheme of diesel generator system</i> .....	63
<i>Figure 6: Scheme of PV/LAB system</i> .....	65
<i>Figure 7: Scheme of PV/Li-ion system</i> .....	68
<i>Figure 8: Scheme of PV/Li-ion system.</i> .....	71
<i>Figure 9: Scheme of PV-Diesel/Li-ion system</i> .....	75
<i>Figure 10: The criteria's weight</i> .....	80
<i>Figure 11: Diesel system comprehensive non-weighted performance</i> .....	97
<i>Figure 12: PV/LAB system comprehensive non-weighted performance</i> .....	97
<i>Figure 13: PV/Li-ion system comprehensive non-weighted performance</i> .....	97
<i>Figure 14: PV-Diesel/LAB system comprehensive non-weighted performance</i> .....	97
<i>Figure 15: PV-Diesel/Li-ion system comprehensive non-weighted performance</i> .....	97
<i>Figure 16: Weighted performance of 5 systems in all subcriteria</i> .....	100





## List of Tables

Table 1: Population in African countries with and without electricity access [WOR2016] .....	17
Table 2: Summary of designed systems and its components.....	46
Table 3: Input parameters for HOMER Pro simulation .....	47
Table 4: Saaty's fundamental 9-point scale of absolute numbers [SAA2008a] .....	54
Table 5: Demographic overview of the modeled village .....	59
Table 6: Calculation and breakdown of household and village electricity load profile.....	61
Table 7: Cost summary of diesel system .....	64
Table 8: Diesel fuel prices with 15 % increment and resulting costs .....	64
Table 9: Total diesel system electricity generation in kWh per year .....	65
Table 10: Diesel system's emission breakdown.....	64
Table 11: Cost summary of PV/LAB.....	65
Table 12: Breakdown of PV/LAB components cost.....	66
Table 13: Breakdown of PV/LAB components performance .....	67
Table 14: Cost summary of PV/Li-ion system .....	68
Table 15: Breakdown of PV/Li-ion components cost .....	69
Table 16: Breakdown of PV/Li-ion system components performance .....	70
Table 17: Cost summary of PV-Diesel/LAB system.....	71
Table 18: Breakdown of PV-Diesel/LAB system components cost .....	72
Table 19: Breakdown of PV-Diesel/LAB system electricity generation .....	73
Table 20: Breakdown of PV-Diesel/LAB system components performance .....	73
Table 21: Breakdown of PV-Diesel/LAB system emissions .....	75
Table 22: Cost summary of PV-Diesel/Li-ion system .....	76
Table 23: Breakdown of PV-Diesel/Li-ion system components cost .....	77
Table 24: Breakdown of PV-Diesel/Li-ion system electricity generation.....	77
Table 25: Breakdown of PV-Diesel/Li-ion system components performance.....	78
Table 26: Breakdown of PV-Diesel/Li-ion system emissions .....	79
Table 27: Pairwise comparison results of the main criteria .....	80
Table 28: Pairwise comparison of economic subcriteria .....	81
Table 29: Weights of economic subcriteria .....	82
Table 30: Each system's economic subcriteria performance.....	82
Table 31: Diesel system economic subcriteria scores and weighted results .....	83
Table 32: PV/LAB system economic subcriteria scores and weighted results .....	83
Table 33: PV/Li-ion Diesel economic subcriteria scores and weighted results .....	84
Table 34: PV-Diesel/LAB system economic subcriteria scores and weighted results .....	84
Table 35: PV-Diesel/Li-ion system economic subcriteria scores and weighted results .....	85
Table 36: Pairwise comparison of social subcriteria.....	85
Table 37: Weight of social subcriteria .....	86
Table 38: Assessment of main components' social subcriteria performance.....	87
Table 39: Diesel system social subcriteria scores and weighted results .....	88
Table 40: PV/LAB system social subcriteria scores and weighted results .....	88

<i>Table 41: PV/Li-ion system social subcriteria scores and weighted results.....</i>	<i>89</i>
<i>Table 42: Diesel/LAB system social subcriteria scores and weighted results.....</i>	<i>90</i>
<i>Table 43: PV-Diesel/Li-ion system social subcriteria scores and weighted results .....</i>	<i>90</i>
<i>Table 44: Pairwise comparison of environmental subcriteria .....</i>	<i>91</i>
<i>Table 45: Weights of environmental subcriteria .....</i>	<i>91</i>
<i>Table 46: Assessment of main components' environmental subcriteria performance .....</i>	<i>92</i>
<i>Table 47: Diesel system environmental subcriteria scores and weighted results.....</i>	<i>93</i>
<i>Table 48: PV/LAB system environmental subcriteria scores and weighted results .....</i>	<i>94</i>
<i>Table 49: PV/Li-ion system environmental subcriteria scores and weighted results .....</i>	<i>94</i>
<i>Table 50: PV-Diesel/LAB system environmental subcriteria scores and weighted results .....</i>	<i>95</i>
<i>Table 51: PV-Diesel/Li-ion system environmental subcriteria scores and weighted results.....</i>	<i>95</i>
<i>Table 52: All systems' weighted results of the main criteria .....</i>	<i>96</i>

## List of Abbreviations

AHP	Analytic Hierarchy Process
BOP	Bottom of Pyramid
CDM	Clean Development Mechanism
CER	Certified Emission Reduction
CIA	Central Intelligence Agency
CO	carbon monoxide
CO <sub>2</sub>	carbon dioxide
COE	Cost of Electricity
ECN	Energy Commission of Nigeria
EIA	Energy Information Administration
EIA	Environmental Impact Assessment
EIU	Economist Intelligence Unit
EoL	End-of-Life
EPSR	Electric Power Sector Reform
EU	European Union
FDI	Foreign Direct Investment
GDP	Gross Domestic Product
GEDAP	Ghana Energy Development and Access Project
GHGs	Greenhouse Gases
GIZ	Deutsche Gesellschaft für Internationale Zusammenarbeit
GW	gigawatt
GWP	Global Warming Potential
HOMER	Hybrid Optimization of Multiple Energy Resources
IMF	International Monetary Fund
IRENA	International Renewable Energy Agency
ISO	International Organization for Standardization
JAEF	Jigawa Alternative Energy Fund
kWh	kilowatt per hour

LCA	Life Cycle Assessment
LGA	Local Government Area
Li-Ion	Lithium-Ion
m/s	meter/second
MAUT	Multi-Attribute Utility Theory
MCDA	Multi-Criteria Decision Analysis
MJ	megajoule
MLP	Multi-Level Perspective
NASA	National Aeronautics and Space Administration
NBS	National Bureau of Statistics
NEEDS	National Economic Empowerment and Development Strategy
NEPA	National Electric Power Authority
NERC	Nigerian Electricity Regulatory Commission
NESP	Nigerian Energy Support Programme
NGO	Non-governmental Organization
NIPP	National Integrated Power Projects
NPC	Net Present Cost
NREDA	National Renewable Energy Development Agency
NREEEP	National Renewable Energy and Energy Efficiency Policy
NREL	National Renewable Energy Laboratory
O&M	Operation and Maintenance
OPEC	Organization of the Petroleum Exporting Countries
PHCN	Power Holding Company of Nigeria
PM	particulate matter
PV	photovoltaic
PV/LAB	Photovoltaic with Lead Acid Battery
PV/Li-Ion	Photovoltaic with Lithium-Ion Battery
PV-Diesel/LAB	Photovoltaic and Diesel generator with Lead Acid Battery

PV-Diesel/Li-Ion	Photovoltaic and Diesel generator with Lithium-Ion Battery
R&D	Research and Development
REA	Rural Electrification Agency
REF	Rural Electrification Fund
REMP	Renewable Energy Master Plan
SELF	Solar Electric Light Fund
UNDP-WHO	United Nations Development Programme – World Health Organization
UNEP	United Nations Environment Programme
UNICEF	The United Nations Children's Emergency Fund
US DOE	United States Department of Energy
US EPA	United States Environmental Protection Agency
USAID	United States Agency for International Development



## **Abstract**

Up to this time, the majority of the Nigerian population inhabits the rural areas and do not have access to electricity. The aim of this paper is to recommend an off-grid renewable electricity generation system that is economically, socially and environmentally appropriate for the rural population of the State of Sokoto, using HOMER Pro software and Analytic Hierarchy Process (AHP).





## 1 Introduction

Throughout the last decades, the different paces of socio-economic development engendered the North-South divide. Universally, low-income population has become an unattractive and neglected market category. The negligence is due to the significant role of money, in a society where financial well-being was the engine of progress and solution to all problems. This led to the non-perceived importance of the portion of the population that did not possess “enough” financial wealth. In the eyes of profit-seeking companies, customers from developed countries are the target group generating financial gains, leaving the economic development of countries of the South even further behind and dependent on the acts of benevolent NGOs.

In the era of globalization, the situation has drastically changed specifically for the poorest of the poor who have become an enticing target market. Prior to the beginning of the new millennium, researches and business players completely disregarded the economic potentials of the bottom of pyramid (BOP). Prahalad, an Indian economist, was the first one to focus on studying the BOP. He analyzed new tendencies in global markets and emphasized underestimated role of people living in the bottom, as potential consumers. Prahalad concluded that poor people represent vast and promising segment for companies willing to expand into new markets [PRA2002].

Even though Prahalad concentrated his research mostly on market strategies and new ways of running a business, his theory was widely disseminated throughout different disciplines. Prahalad and Hart [2002] pointed out the importance of people living in the bottom of the pyramid and the role they can play in solving global problems because of its sheer volume, the BOP market has a massive potential. Investments in those markets would potentially bridge rich and poor and narrow the gap between developed and developing countries. This allegation is based on the idea that exploration of low income markets leads to the generation of profit for the companies and the economic growth of the poor population, or in short, a win-win situation for both sides. Undoubtedly, further and deeper studies on the BOP are needed, however, Prahalad’s concept revealed the potentials low strata and provided a different angle to the BOP issue [CON2007].

The Financial Times [2014] gave the general definition to BOP:

The Bottom of the Pyramid (BOP) is a socio-economic concept that allows us to group that vast segment - in excess of about four billion - of the world’s poorest citizens constituting an invisible and unserved market blocked by challenging barriers that prevent them

from realizing their human potential for their own benefit, those of their families, and that of society's at large (para 1).

According to the statistics provided by Confederation of Danish Industries, 4 billion people around the globe live on less than US\$ 2 per day. The low-income market constitutes the majority of the consumers in the countries from Sub-Saharan Africa and Asia, and covers parts of Latin America, Eastern Europe and the Caribbean region. Despite the fact that 2.86 billion or 83 % of the Asian population lives under the poverty line, this fraction stays relatively low in respect to the proportion in Sub-Saharan Africa where 95 %, i.e. 486 million of the people, live in poverty [HAM2007]. Sub-Saharan Africa was the only region among all other developing regions that showed negative performance trend. This downward trend is indicated by the dramatically increasing number of poor people in the last three decades, from 205 million in 1981 to 414 million [WOR2010].

One of the ways to break people out of the poverty box is electrification, an essential phase of any modern civilization. Despite the large number of people without access to electricity, many see it as one of the basic human rights. For this reason, electrification of poor regions can be assumed as the first step towards poverty eradication. The proportion of poor people is concurrent with the lack of electricity access and in Africa this is remarkably high. More than 600 million people, most of whom live in Sub-Saharan regions have no access to electricity. All this information shows that Sub-Saharan Africa is the region that deserves the most attention. That is the reason why the main objective of this paper, is to sustainably provide electricity to the region.

It is, however, unrealistic to cover the entire region of Sub-Saharan Africa in the scope of a single study. Therefore, a preliminary research was conducted in order to narrow down the selection to one country. All 48 Sub-Saharan African countries were analyzed. A table of relevant information i.e. population size, percentage of population with and without access to electricity and market size was created. The first elimination criterion was market size that represents the absolute number of inhabitants in the country who do not have access to electricity. Subsequently, four countries with the biggest market sizes i.e. Tanzania, Nigeria, Ethiopia and Democratic Republic of Congo were selected for a more profound analysis. Table 1 provides a detailed overview on countries' parameters.

**Table 1: Population in African countries with and without electricity access [WOR2016]**

No	Country	Population (million)	Access to electricity (% of population)	Without access to electricity (% of population)	Market size electricity (million)
1	Angola	28.813	32.0 %	68.0 %	19.593
2	Benin	10.872	34.1 %	65.9 %	7.165
3	Botswana	2.25	56.5 %	43.5 %	0.979
4	Burkina Faso	18.646	19.2 %	80.8 %	15.066
5	Burundi	10.524	7.0 %	93.0 %	9.787
6	Cabo Verde	0.54	90.2 %	9.8 %	0.053
7	Cameroon	23.439	56.8 %	43.2 %	10.126
8	Central African Republic	4.595	12.3 %	87.7 %	4.028
9	Chad	14.453	8.0 %	92.0 %	13.294
10	Comoros	0.796	73.8 %	26.2 %	0.209
11	Congo, Dem. Rep.	78.736	13.5 %	86.5 %	68.107
12	Congo, Rep.	5.126	43.2 %	56.8 %	2.914
13	Cote d'Ivoire	23.696	61.9 %	38.1 %	9.028
14	Equatorial Guinea	1.222	67.6 %	32.4 %	0.396
15	Eritrea	4.475	45.8 %	54.2 %	2.424
16	Ethiopia	102.403	27.2 %	72.8 %	74.549
17	Gabon	1.98	89.5 %	10.5 %	0.208
18	Gambia	2.038	47.2 %	52.8 %	1.076
19	Ghana	28.207	78.3 %	21.7 %	6.121
20	Guinea	12.396	27.6 %	72.4 %	8.970
21	Guinea-Bissau	1.816	17.2 %	82.8 %	1.504
22	Kenya	48.462	36.0 %	64.0 %	31.016
23	Lesotho	2.204	27.8 %	72.2 %	1.591
24	Liberia	4.614	9.1 %	90.9 %	4.192
25	Madagascar	24.896	16.8 %	83.2 %	20.708
26	Malawi	18.092	11.9 %	88.1 %	15.939

**(Continuation of Table 1)**

27	Mali	17.995	273 %	72.7 %	13.084
28	Mauritania	4.301	38.8 %	61.2 %	2.632
29	Mauritius	1.263	99.2 %	0.8 %	0.010
30	Mozambique	28.829	21.2 %	78.8 %	22.711
31	Namibia	2.48	49.6 %	50.4 %	1.251
32	Niger	20.673	14.3 %	85.7 %	17.715
33	Nigeria	185.99	57.7 %	42.4 %	78.767
34	Rwanda	11.918	19.8 %	80.2 %	9.558
35	Sao Tome and Principe	0.2	68.6 %	31.4 %	0.063
36	Senegal	15.412	61.0 %	39.0 %	6.011
37	Seychelles	0.095	99.5 %	0.5 %	0.000
38	Sierra Leone	7.396	13.1 %	86.9 %	6.427
39	Somalia	14.318	19.1 %	80.9 %	11.589
40	South Africa	55.909	86.0 %	14.0 %	7.827
41	South Sudan	12.231	4.5 %	95.5 %	11.677
42	Sudan	39.579	44.9 %	55.1 %	21.808
43	Swaziland	1.343	65.0 %	35.0 %	0.470
44	Tanzania	55.572	15.5 %	84.5 %	46.958
45	Togo	7.607	45.7 %	54.3 %	4.131
46	Uganda	41.488	20.4 %	79.6 %	33.024
47	Zambia	16.591	27.9 %	72.1 %	11.962
48	Zimbabwe	16.15	32.3 %	67.7 %	10.934

Among the four countries with the worst electrification rates in comparison to the population and electricity market size, as displayed in the Table 1, Nigeria was the most compelling choice. First, Nigeria's market size, consisting of people without electricity access proves to be the highest number in comparison with other states, more than 78 %. However, it is worth pointing out, that half of Nigerian population with access to electricity suffer from power outages and inef-

efficient use of existing on-grid and off-grid lines [ISM2012]. The discrepancy between the claimed electricity generation capacity and the actual generated and distributed electricity is one of the drivers for selecting Nigeria as this paper's focus country over the other three countries.

Analysis from the World Bank [2017] shows that the average annual per capita electricity consumption of Nigeria (147 kWh) is one fifth of that of an average low middle-income country consumption (736 kWh) and one twentieth of the global average consumption (3,298 kWh). The bank also states that in order to achieve universal access to electricity by 2030, Nigeria would need to connect between 500,000 to 800,000 households per year and add around 25 GW to its actual operating capacity. The majority of the unserved people live in rural areas and do not have access to electricity. Therefore, both grid and off-grid extensions are needed to provide quality services to the unserved and underserved households and businesses in a timely manner.

Another reason why this contribution focuses on Nigeria is because of its infamous resource curse phenomenon. This country is vastly endowed with natural resources, i.e. oil and gas and yet it is still one of the poorest nations in the world [MOB2014].

Nigeria is a diverse nation in terms of urbanization and development level and the distinction is palpable. According to the statistics [GIZ2015], the South of Nigeria, and especially the State of Lagos, is characterized by a high rate of urbanization. Since the main purpose of this contribution is to electrify BOP rural areas, remoteness from cities and on-grid lines was one of the selection criteria. Consequently, only the Northern part of the country was further analyzed. To make the case of renewable energy project stronger, this part of the country is marked by high solar radiation potential (25.2 MJ/m<sup>2</sup>/day, while it is 12 MJ/m<sup>2</sup>/day in the South) and relatively high wind velocity [GIZ2015].

However, the terrorist attacks and present activities by Boko Haram on the North-Eastern Nigeria render that region too hostile for any projects. Thus, this contribution focuses primarily on the Northwestern region. As a result, Sokoto State in north Nigeria, the most populous and most corrupt state, was selected for this research. Because of all the aforementioned reasons, the aim of this research is to identify the most appropriate renewable technology for providing electricity to the people from the bottom of the pyramid in rural area of Sokoto state. This work, therefore, addresses the following research question:

Considering the renewable energy potentials, which of the following:

1. Diesel generator energy system
2. Solar PV module with Lead Acid battery storage (PV/LAB)

3. Solar PV module with Lithium-ion battery storage (PV/Li-ion)
4. Hybrid Solar PV module-Diesel generator with Lead acid battery storage (PV-Diesel/LAB)
5. Hybrid Solar PV module-Diesel generator with Lithium-ion battery storage (PV-Diesel/Li-ion)
6. Wind turbine with Lead Acid battery storage (Wind/LAB)
7. Wind turbine with Lithium-ion battery storage (Wind/Li-ion)

would be the most suitable system for the electrification of a model village in Sokoto state, Nigeria?

In order to answer the research questions, this work applies the following scientific methods:

- Literature review
- Village modelling
- HOMER Pro calculation
- AHP analysis

Section 2 of this contribution consists of a literature review, which provides an overview on current geographical, political, economic and social situation in Nigeria and Sokoto state. Section 3 defines the methodology and its details. Village profile and load, as well as the results from HOMER Pro calculation and AHP analysis can be found in Section 4. The results of the scores and a few other elements will be discussed in Section 5. This contribution will end with some limitations and shortcomings of our findings.

## **2 Literature Review**

To review the most promising literature for the topic of this contribution, the following literature approach was used. An initial literature research was conducted to obtain literature on the political and socio-economic background of Nigeria and the State of Sokoto, as well as the off-grid energy systems and their financial, social and environmental parameters. With this, keywords were defined and used to search databases (e.g. Elsevier) systematically.<sup>1</sup> To gain access to secondary data, a more explorative literature review was conducted. This data collection process considered literature found on the Internet, which included case studies, project assessments and other publications in the fields of research.

### **2.1 Background of Nigeria**

#### **2.1.1 Geographical and demographical overview**

Nigeria is well known as the largest African oil producer. The following paragraphs will give an insight on the geographical and demographical characteristics, on the energy potentials, and the current political and economic situation in the country.

#### **Geographical aspects**

Nigeria is the 14th largest country in Africa with a total area of 917,434 km<sup>2</sup>. This area is divided into plains and highlands by two main rivers i.e. the Niger and the Benue. Most of the country's territory is 600 meters above sea level. The climate is mostly tropical with annual average temperatures above 25 °C. However, there are climatic differences within the country. For instance, northern part is dry and hot with limited precipitation and high annual temperatures, whereas the southeastern part and the coastal territory are typically wet [GIZ2015].

Nature has endowed Nigeria with large deposits of mineral resources, such as non-ferrous ores and rare metal ores reserves, especially oil [MOB2014]. According to the data from OPEC [2016], Nigeria crude oil reserves stand at about 37 million barrels and proven natural gas reserves are at about 5.5 billion m<sup>3</sup>. Mining activities are mainly concentrated within the Gulf of Guinea oil and gas basin.

---

<sup>1</sup> Keywords included Nigeria, Sokoto State, off-grid electrification, battery storage, hybrid systems, etc. As the investigated technologies are rather new and rapidly evolving, the search range was limited to the past decade (2007 - 2017). Additionally, the search on Nigerian background, climatic conditions and AHP methodology was expanded to years prior to 2007.

## Demography

Nigeria, like many other countries in Sub-Saharan Africa where fertility rate remains high, currently faces a population explosion. Since 1960 there has been a stable population growth of around 2.6 % annually. As a result, Nigeria is the seventh most populous country in the world with 190.9 million people in total in total [WOR2015]. According to the last United Nations Report [2017], the projected population number of Nigeria will overtake that of the United States and would become the third largest country in the world by 2050 with more than 400 million. The population density is approximately 200 per km<sup>2</sup>, the exact amount varies in different sources. However, population distribution throughout the country is highly uneven. In urban coastal areas, where business activities take place, the number of inhabitants is very high. For instance, the population in Lagos is more than 17 million people, whereas most of cities on the north are only half the size [GIZ2015].

As Nigeria's age pyramid is expansive, it is worth noting that the dependency ratio is high. Children younger than 14 years of age, constitute more than 43 % of the total population. In terms of sex distribution, there is an almost equal number of men and women in population structure. However, their life expectancy is low - 53 for men and 55 years for women [UNI2017].

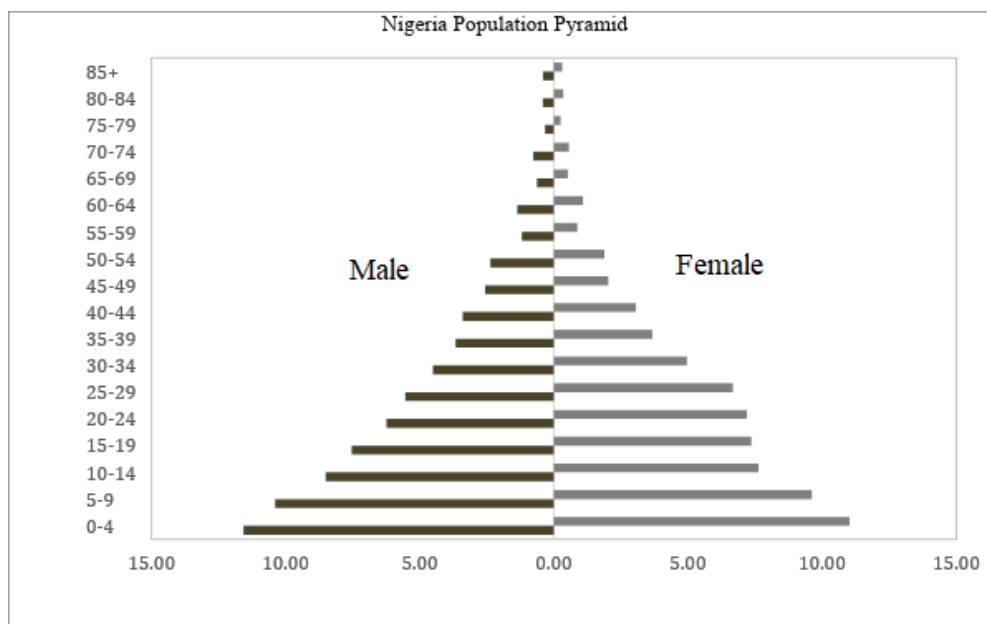


Figure 1: Nigeria Population Pyramid [NIG2016]

The majority of people inhabiting the northern and the southwestern part of Nigeria adhere to Islam while the people in other states practice either Christianity or traditional beliefs. However, the latest research from the Pew Research Center



[2017] in 2010 has shown a significant increase in the Christian share among Nigerians - more than 50 % are Christians now.

### **Renewable Energy Potential aspects**

Renewable energy is the energy which is produced using natural resources that are constantly replaced and never run out (RENn.d.-b). This could be solar irradiance, hydropower, geothermal heat, wind, waves or tides. In the present time, more countries apply to renewable energy in the light of natural resources depletion. According to Oyewo, Aghahosseini & Breyer, scientists from the Finnish Lappeenranta University [2017], the energy sector in Nigeria could shift to 100 % renewable energy by 2050. The assessment shows there has been a stable growth in total renewable energy generation projects, rising to 2062MW in 2016.

- Hydropower utilizes generated energy between water level differences. Nigeria has a high potential for this form of energy which however remains unexploited. Undoubtedly, hydropower capacity varies from year to year and depends on precipitation level. The main river in the country i.e. Niger is abundant in rapids and waterfalls. Thus, the river is appropriate for constructing dams e.g. Kainji dam [BRI2017]. Hydropower potential of other small rivers, such as Gaha, Sokoto and others can be further utilized [OHU2011].
- Wind creates energy from the movement of air, which can be used to turn the blades of wind turbines, that subsequently drives electrical generators to produce electricity [UDO2017]. Preliminary studies reveal that wind potential in Nigeria varies from north to south. On the coastal area, it is relatively low in comparison with northern states. In Sokoto state, the average wind speed can reach up to 5 m/s while in Lagos, it could be as low as 2 m/s [SHA2014].
- Biomass is organic material that comes from plants and animals. There are different types of biomass e.g. crops, garbage, wood and others. In order to produce energy, biomass goes through combustion process and releases heat [EIA2017]. Based on the availability of cattle and livestock, and crop residue, Nigeria's potential is promising. According to Garba and Bashir [2002], the country has approximately 800 MJ biomass resources.
- Solar power is a renewable resource that utilizes solar radiation to produce energy. Due to the uneven distribution of radiation on the Earth, solar power plants are only economically viable in places with a sufficient number of sunny days. The amount of solar radiation depends on the angle of incidence of sunlight and transparency of atmosphere. Consequently, there is a zonal character of solar radiation distribution, that

depends on the distance from the equatorial line. Nigeria is located in the equatorial region and receives around  $5.08 \times 10^{12}$  kWh annually [IRE2017]. The number fluctuates from the northern states where it is high to the southern states. On average, the length of the daylight is approximately 6.25 hours [MUH2012].

### 2.1.2 Political background

The origin of the Nigerian state dates back to 1900 when the British government took over the administration of the Niger Coast Protectorate that was previously under chartered company rule and formed the protectorates of Northern and Southern Nigeria. In 1914, the British government amalgamated both protectorates to formally establish the colonial state of Nigeria. The state attained independence from Great Britain in October 1960. The following decades were marked by increasing ethnic and regional tensions, resulting in armed conflicts, army interventions, coups and military-led governments [IBH2008]. Furthermore, the presence of more than 300 ethnic groups and more than 400 different languages and dialects reinforce cultural frictions within the country [AGB2001]. The national elections of 1999 and the adoption of the current constitution gave a start to the transition from military to civilian rule [PIE2016]. Under the country's organic law, Nigeria is a federal republic comprising of 36 states (Nigeria Const. Art. I, § 3). The legal system of the country is based on customary law, Islamic law in the northern part, and English common law [INT1999].

The forming process of a single Nigerian nation was fraught with many challenges most significant of which were the cultural and religious differences between the predominantly Muslim North and the Christian South. Throughout the years, the north-south gap has further widened with the South concentrating the sources of natural resources and the other means of production and becoming a center of socioeconomic development [KHA2015]. In contrast, the North saw the rise of radical Islam culminating in the emergence of Boko Haram. The organization's overriding goal is to overthrow the Nigerian government and to create an Islamic state under the supreme law of Sharia. The violent activities of the Islamic group have imperiled socioeconomic and political development and equitable distribution of democracy in the northern states [AGB2014].

#### **The relationship between democracy, good governance and the access to electricity**

In contrast to the improvement, since the beginning of the 21<sup>st</sup> century and to the country's actual wealth, poverty is still widespread and inequality between rich and poor is extreme. Due to weak state institutions and high levels of corruption, governments are unable to deliver prosperity to their citizens. As of 2016, Nigeria

ranks poorly in the EIU's Democracy Index report [2016] and is moreover perceived as one of the most corrupt countries according to the Transparency International's annual survey [2016]. Michael Ross, a professor of political science from the University of California, states that "Nigeria offers an archetypal example of the "paradox of oil" by which vast oil wealth begets extravagant corruption, deep poverty, polarized income distributions, and poor economic performance" [LUB2007, p. 2]. The economy depends heavily on the oil and gas sectors, accounting for over 85 % of the Nation's gross domestic product (GDP), over 95 % of the Federal budget, and over 80 % of the national wealth [EBE2013].

Despite the large oil and gas deposits, 43 % or nearly 79 million of people in Nigeria's population lack access to electricity [WOB2014]. Agbiboa [2011], Ahlborg, Boraeng, Jagers and Soederhorm [2015] and Trotter [2016] research the positive correlation between state of democracy and rural electrification in Nigeria and other Sub-Saharan countries. Democratization processes and good governance tend to significantly contribute to rural electrification development. It is observed that the presence of democratic institutions – through which country's leaders are held accountable to the citizens – create a strong incentive among leaders to prioritize actions on those public goods where their executive effort can be clearly connected to actual benefits on the ground. On the contrary, by autocratic regimes, where the government executes tight control over the population, and in countries with poor governance - characterized by corruption, patronage and clientelistic practices, the incentive among leaders to accelerate rural electrification development decreases.

### 2.1.3 Economy

In the economic context, the use of GDP growth rate is highly applicable to measure the well-being and growth of a nation. Unlike its Sub-Saharan counterparts, Nigeria has been showing a fluctuating GDP growth rate in the past five decades, reaching -17.55 % at its lowest in 1967 and 30.36 % at its peak in 2004 [WORN.d.-b]. In the last two years, the downward trend continues with a national real GDP growth rate of -1.58 % in 2016 [NAT2017a]. The galloping annual inflation rate, with the most recent being 15.91 % [REU2017] exacerbates further the impacts of negative growth. As a result, households react by decreasing their consumption by 5.71 % in real terms from 2014 to 2015 [NBS2016].

In spite of the unfavorable economic trends, Nigeria remains the biggest economy in the African continent in terms of GDP, followed by Egypt and South Africa [ROB2017]. This situation is attributable to the crude oil production that started in 1956 when Nigeria's oil reserves were first discovered [WAL2009].

The discovery marked Nigeria's over-dependence on crude oil production identified by many as a case of Dutch Disease. In 2016, Nigeria produces 1.43 million barrels of crude oil per day [FAN2017], most of which are going towards exportation, accounting 77 % of the total export figures [MIT2017]. However, the downward spiral of crude oil production due to recurring pipeline vandalism and plummeting world oil price are urging the government to support the development of other sectors [IMF2015].

In addition to the resource curse crisis, the high GDP also comes with a caveat in terms of the population's actual financial welfare. In the last 23 years, Nigeria has registered 35 million more people living under the extreme poverty line i.e. US\$ 1.90 per day [KAZ2017]. A report by Legatum Institute [2016] explores the gap between national wealth and people's prosperity and it assesses Nigeria's situation and classifies it as "under-delivering". Its latest GDP per capita (October 2017) amounts to US\$ 2,090, a relatively derisory number compared to world's developing countries average of US\$ 4,960 [IMF2017]. Further, there is the usual issue of income distribution among households, illustrated by Gini index. Nigeria scores 48.8 % out of 100 %, where 100 % signifies a perfect inequality. As a comparison, Sweden and South Africa have an index score of 21.5 % and 62.5 %, respectively [CIA2017].

The sheer complexity of all mentioned issues is perpetuatingly the poverty trap. Education system and unemployment are among the trap factors. According to National Bureau of Statistics [2017b], in late 2016, there are approximately 81.15 million people in the labor force population i.e. 15-64 years old. Among them, 11.55 million find themselves in unemployment, nearly a 7 million increase within two years.

In order to get away from the deteriorating trend, the Nigerian Government holds the total discretion. There are multiple studies that demonstrate the relatedness of elements, such as the inflation rate and unemployment. While the traditional Phillips curve cannot explain Nigerian condition, a study by Idenyi, Favour, Johnson and Thomas [2017] suggests that a Government increasing its expenditure would drive the employment rate up. However, this must be done while maintaining an inflation rate lower than 10 %. Another obvious correlation is the one between human capital quality and unemployment. Riddell and Song [2011] find that education has positive impacts on one's chances to get re-employed in the US. A study on EU countries labor markets yields a similar conclusion, regardless of each country's specificities [SNI2015]. Nigeria's overall education scene is concerning, even for the most basic level i.e. primary school that is a part of nine-year compulsory education. UNICEF [2013] statistical data from 2008-2012 indicates that the net enrolment ratio in primary schools is 60.1 % and 54.8 % for

boys and girls, respectively. Further, the problem not only lies in the quantity, but also in the quality of educational institutions.

### **Investment climate**

In the era of globalized and open market, the macroeconomic health of a nation depends on external actors as much as it depends on how the internal actors fare. The degree of openness of a market through the enactments of foreign and domestic investment policies has direct consequences on the economy. The Nigerian Government initiated its efforts with firstly the Structural Adjustment Programme of 1986, followed by the 1993 Privatization and Commercialization Act and 1999 Public Enterprises Promotion and Commercialization Act. This endeavor was carried out through the National Economic Empowerment and Development Strategy (NEEDS) in 2003 and the recent Nigeria Vision 20:2020 where Nigeria strives to alleviate its dependence on oil sector. As a result of these chains of investment encouragements, foreign direct investments (FDI) flow grew from USD 2 billion in 2002 to USD 5 billion in 2004. FDI net inflows reached its highest point in 2011 at USD 8.8 billion and went down thereafter to USD 4.4 billion in 2016 [WORN.d.-a].

The renewable energy sector benefited tremendously from the liberalization movement with the creation of Renewable Energy Programme under the Ministry of Environment. Alongside Nigeria Investment Promotion Commission, it provides investment incentives to boost investment inflows. The incentives include the 30 % companies' income tax, the tax deductibility of Research and Development (R&D) expenses incurred in Nigeria, capital allowances and two percent tax concession for in-plant training facilities. A 100 % tax holiday for seven years is also granted for a project situated in economically disadvantaged Local Government Area (LGA). Further, projects that absorb a lot of workforce are entitled to tax concessions. This list of incentives is not exhaustive; however, it suffices to show the proactivity of Nigeria in creating investment-friendly conditions [RENn.d.-a]. Despite of the convincing incentives, World Bank survey indicates that conducting business in Nigeria is challenging as it is ranked 169 in 2016. The indicators of this survey are construction permits, electricity access, and registration of property, taxes and cross border trades, among others [FOR2017].

#### **2.1.4 Policy and Regulatory Framework**

Energy production, supply and demand have been through a challenging past in Nigeria. The national power utility has not been able to produce sufficient power for Nigerians and the supply–demand imbalance has tilted in a way that favors and promotes self-production through the use of fossil fuels and traditional biomass. Citizens in the rural areas have been worst hit. They mostly depend on

fuelwood for energy and this encourages deforestation. Most rural communities are not connected to the national grid and the rural access to electricity is reported to be 26 % in 2008. The current statistics show half of the population still has no access to electricity, 70 % of the rural areas remain unconnected to the national grid. Those connected suffer from constant blackouts up to 10 hours per day [GIZ2015].

Stern [2010], states that energy is critical for well-being and economic development and there is great value in having access to energy. One of the very important element, if not the most important to access to energy is policy. Policy provides the framework and strategies as to how energy is to be generated, managed, distributed and supplied to households and businesses. It is the government's responsibility to develop policy through main ministry or agency responsible for that sector. A robust energy policy that addresses recent developments in the energy sector of the world, improving access to energy for all (UN sustainable development goal 7) and doing so in a sustainable way. Florini and Sovacool [2009] state that the role of governments in the development of the energy sector cannot be overemphasized and this is possible through the development of legal and regulatory frameworks and control in the energy sector. Hassan & Majumder-Russel [2010] describes energy legislation as setting out regulatory frameworks for the governance of the energy industry and the energy market.

Nigeria energy policy document came to effect in 2003 to serve as a road map to a better national energy future. Based on this policy statement, the Renewable Energy Master Plan (REMP) was developed in 2005 (Energy Commission of Nigeria and United Nations Development Programme [ENE2012]). REMP document is the product of the efforts of a group of consultants organized by the Energy Commission of Nigeria (ECN) in collaboration with the United Nation Development Programme (UNDP). The mandate was to look into the (country's energy situation) and proffer solutions that will enhance the energy policy.

Following this master plan is the development of the National Renewable Energy and Energy Efficiency Policy (NREEEP) in 2015 with the purpose of setting out a framework of action to address Nigeria's challenge of inclusive access to modern and clean energy resources, improved energy security and climate objectives. It is also to recognize the national significance of renewable electricity generation activities by providing for the development, operation and maintenance, and upgrading of new and existing renewable electricity generation activities and to declare energy efficiency as a large, low cost, and under-utilized energy resource, offering savings on energy bills and opportunities for more jobs, improved industrial competitiveness, and lower air pollution.

This policy direction is important because the Roadmap for Power Sector Reforms, which was launched in 2012 only seeks to focus more on providing energy to urban dwellers through the development of grid based electricity, which unfortunately would not benefit most rural areas except those who are close to urban areas. Rural areas that are remote and have a low demand density will have to depend on off-grid energy solutions as the economies of on-grid deployment do not favor rural electrification and will have to depend on alternative solutions. This implication has necessitated the development of a strategy for renewable energy [NRE2015].

#### 2.1.5 Nigeria's current electricity scene

At first, all matters pertaining to electricity in Nigeria was in the hands of governmental company, the National Electric Power Authority (NEPA) that had two hydro and four thermal power plants for the entire country. NEPA's electricity supply was strewn with power cuts and outages, hence the initiative to revolutionize it through the Electric Power Sector Reform (EPSR) that came into effect in 2005. As a result, Nigerian Electricity Regulatory Commission (NERC) and Power Holding Company of Nigeria (PHCN). The latter consists of 18 companies with a specific mission of generation, transmission or distribution of electricity [NER2017]. Privatization of a sector has long been connected with an improved and more efficient performance. This is not always true in the case of NEPA. According to a research by Adedeji [2017], the outcome of this particular privatization in Nigeria is highly contingent on the form and nature of the government. The Nigerian government, however, does not do what is required in order to set off the privatization to a success journey. The regulatory framework is simply weak and unsupportive, indicating the unclear intentions of the reform.

The low quantity of electricity generation is the quintessence of the reform's failure. Considering the raw potentials of both renewable and nonrenewable energy sources, the electricity landscape in Nigeria is underwhelming. In 2014, there are ten National Integrated Power Projects (NIPP) with a total generation capacity of 10,000 MW. The actual electricity generated deviates from this figure, with the combined capacity that amounts to 5,455 MW [AKU2017]. The vandalization of NIPPs infrastructure is the major cause of the low generation tally. The Nigerian Police Department has registered 89 vandalism cases in 2016 and 233 in the first three quarters of 2017. The financial losses of 2017 vandalism acts amount to estimate N500 million [IND2017].

The unstable electricity generation worsens further the already low capacity. A study performed by Oluwatoyin, Odunola and Alabo [2015] investigates the reasons behind the frequent power outages. They find that fickle and insufficient gas

supply (due to vandalized pipelines), overloaded power transformers, lack of plants and equipment rehabilitation are causing the unstable power, among other incremental causes.

### **The implications of power generation issue on Nigeria's economy**

The electricity consumption and economic performance of a country are intertwining elements with causal relationship. Akinwale, Jesuleye and Siyanbola [2013] attempt to figure out the direction of the causal relation between them, using stationary test, co-integration, Granger causality test and Error Correction Model. They conclude that there is a unidirectional causal relationship from real GDP to electricity consumption, without feedback effect. This means that the income of a person determines how much electricity they use. However, a study with similar objective presents a conflicting result. Ogundipe and Apata [2013] use the Johansen and Juselius co-integration based on Cobb-Douglas model, coupled with the Vector Error Correction and Pairwise Granger Causality test to analyze the causality. Their findings suggest that there is a causality flowing from electricity consumption to economic growth, as well as a bidirectional causality. Regardless of the direction of the causation, there is one fact that can be observed. The shortage of power supply is mainly problematic for small and medium-sized enterprises' as they have to rely on costly diesel generators to carry out their lucrative operations. However, the cost of diesel generators is suspected to hurt companies' profitability [USAn.d.]. The difficulties that these companies are detrimental to the overall Nigerian economy.

## **2.2 Background of the State of Sokoto**

As was previously mentioned, Nigeria is comprised of 36 states. The study is concentrated on one of them - Sokoto state. The area is located in the northwestern part of Nigeria and covers a territory of 25.9 km<sup>2</sup>. The state lies in the dry Sahel with annual average temperature of around 28.3 °C. Agriculture is the predominant occupation for inhabitants in Sokoto. However, due to a lack of precipitation, crops are grown mainly in the floodplains of Sokoto-Rima River. The rest of the land is used for millet, rice and other cereals [FEDn.d.]

For a long period of time Sokoto has been an Islamic state. Two centuries ago there was a powerful Islamic Caliphate. After the collapse, it was put under the Northern Nigeria Protectorate, while the regional elite was able to keep its influence and position. At the present time, Muslim is the predominant religion in the state with a small number of Christians [SOKn.d.].

Due to the lack of access or limited access to electricity in rural communities, local inhabitants usually rely on traditional human or animal power for everyday



and agricultural needs. Machines are used only in the industrial sector. Lighting is one the basic needs and carried out with kerosene lamps [UDU2013]. Additionally, according to Chikaire, Nnadi and Anyoha [2011], almost each household has a TV or radio and a refrigerator for convenience purposes.

Sokoto state is a subject of interest for this research paper due to its high renewable energy potentials, remoteness from the closest on-grid electricity connection and high number of poor people. For instance, based on the data from GIZ [2015], the site has a viable potential for wind-generated electricity because of maximum wind speed - 6 m/s, as well as good potential for solar power plants with annual irradiation above 2,200 kWh/m<sup>2</sup>. It should be noted that Sokoto continues to be the poorest state in Nigeria, with more than 70 % of the inhabitants in Sokoto live in poverty, 30 % are living in extremely poor conditions [SHA2013]. In fact, growing population makes the situation even worse. Since the foundation of Sokoto state in 1960, the number of people has increased six times and now counts 5.4 million inhabitants. This high population growth is a challenge to employment level, education and health facilities availability. Besides, the majority of population structure are children under the age of 15 [HEA2017].

### **2.3 Technical overview of renewable energy generation systems**

#### **The off-grid technology**

Within the conventional electrical grid networks, before reaching the end consumers, electricity passes through three stages – generation, transmission and distribution. Generated in large amount, electric power is not directly supplied to end users, but rather first wheeled to electrical substations from which electricity is distributed to private consumers [ELU2014]. On the contrary, off-grid energy systems are decentralized systems, objectively focused on manufacturing a required electrical power for immediate consumption. Such systems are composed by autonomous units where conversion and transmission have no interaction with other units. Another distinctive characteristic of the off-grid systems is that they are locally-based and need-oriented, as they are designed to cover specific local energy demand and often rely on local energy sources [MAN2016]. Over the past decade, introducing off-grid energy systems that use renewable energy resources has become a common option to electrify remote rural areas where grid connection is neither available nor feasible in the foreseeable future [ROH2014].

For the purpose of the current research, the following off-grid energy systems have been considered.

- Diesel energy system
- PV module and lead-acid battery storage energy system (PV/LAB)

- PV module and lithium-ion battery storage energy system (PV/Li-ion)
- PV module and diesel generator hybrid with lead-acid battery storage energy system (PV-Diesel/LAB) Photovoltaic-diesel energy system with lithium battery
- PV module and diesel generator hybrid with lithium-ion battery storage energy system (PV-Diesel/Li-ion)
- Wind Turbines with lead-acid battery storage energy system, and
- Wind Turbines with lithium-ion battery storage energy system

With the exception of the energy source, all four scenarios share three main elements – (1) charge controller, (2) battery bank and (3) off-grid inverter. The following paragraphs will briefly describe the basic function of each of those components.

The charge controller manages the power going from the energy source into the battery bank and controls the source, which is to be active or inactive. Furthermore, it simultaneously charges the battery and distributes the power to the load. The controller has overcharge protection, short circuit protection, pole confusion protection and diversion load function [ING2015].

The energy inverter is needed to convert DC power into AC power. The inverter size is determined by the peak load or the maximum wattage of the whole energy system [ING2015].

The uneven distribution of renewable energy sources, especially solar and wind, makes the battery a necessary component for the off-grid generation systems. Batteries are the most common storage device in rural areas and in some cases, they are also considered as the main electricity carrier [MAN2016]. They are also used as a backup in the system and to maintain a constant voltage during peak loads or a shortfall in generation capacity [MAL2014]. The capacity of the battery bank is to be calculated by finding the following data:

- Total daily use in watt-hour (Wh)
- Total autonomous time of the battery

For the purpose of the current contribution, two different types of battery storage systems will be considered - lead acid and lithium-ion. The lead acid batteries have been on the market for more than a century and have an established reputation of a dominant and commonly accepted technology for energy storage. The large availability makes them very attractive in terms of initial costs [LITn.d.-a]. However, recent studies report that within an off-grid system they tend to degrade

quickly and require frequent maintenance and replacement, resulting in high system lifetime expenses. Furthermore, due to the large lead content they perform poorly in terms of size and weight [KRI2013]. As to its disposal, because of the highly toxic lead and corrosive sulphuric acid, a proper treatment is needed at the end-of-life phase. However, leakages and ruptures occur rarely and at the same time the recycling rate exceeds 95 % [LITn.d.-a].

Lithium-ion batteries represent the most widespread storage technology in portable electronics and electric vehicles. Within the last decade, because of rapid technology development, they became cost-competitive in stationary storage applications and gradually made their way into off-grid energy systems. Lithium-ion batteries are usually rated for much higher charge and discharge powers and occupy much less installation space. Furthermore, they seldom require any maintenance and replacement services [KRI2013]. However, this recent technology needs much more future development and research in order to reach the same impressive rate of recycling of lead acid batteries [LITn.d.-b].

### **Photovoltaic-Wind & Photovoltaic-Diesel hybrid energy systems**

The hybrid energy generation system is a term used to describe any energy system that combines two or more different sources of energy, such as wind-diesel, PV-diesel, wind-PV, etc. [SHA2008]. The most common design of a hybrid energy system combines conventional diesel-powered generator and a renewable source of energy e.g. wind and solar. Over the last decade, several studies have been carried out in different parts of the world and have proven the reliability and the efficiency of the combination of diesel and solar or wind [REH2012]. In the long run, hybrid systems are able to mitigate the impact of oil price volatilities and minimize the environmental damage caused by the burning of fossil fuels. Furthermore, renewables and diesel tend to have complementary characteristics. On the one hand, the capital cost of renewables is higher as compared to diesel, on the other hand, operating costs and maintenance requirements of renewables are lower relative to diesel. Diesel energy is available all the time whereas availability of renewables is highly dependent on the climatic characteristics of the respective region [SHA2009].

In the case of a hybrid diesel generator-renewable source energy system, the major drawback comes from the fact that diesel runs continuously to cover the difference between the energy generated from the renewable source and the load demand. Due to low efficiency of the diesel generator at low load, the fuel saving potential in these systems is limited, as diesel generator efficiency drops tremendously when it operates at less than 40 % of full load. Fuel economy considerations indicate that the diesel should be stopped when the average power of the renewable, relative to the load, is high. This intermittent operation results in high

start-stop cycling frequency which accelerates wear of the diesel system and thus increases the demand for maintenance [ALB2014].

## **2.4 Off-grid renewable energy projects**

### **2.4.1 Successful Projects**

Every project starts from an idea and through project development, the idea is gradually turning into some tangible matters such as timelines and blueprints. Eventually, the idea is realized during the construction phase. Some projects soar and reach their goals but some end up falling flat, despite careful design, planning and development. Energy projects are not exempt of failures, but experts and academics have tried to analyze completed projects in order to figure out critical success factors in order to improve the success rate.

During its lifetime, a project has to tackle country, political, regime and legal framework, foreign exchange and technical risks, among others. Thus, a successful renewable energy project is the result of a highly reliable risk management, where the actors are capable of minimizing the impacts of existing risks [ALI2008]. In addition, light should be shed on the importance of including key stakeholders and the local community throughout project lifetime. An observation indicates that successful projects have a few common elements, which are the engagement of stakeholder in the entirety of project, creation of community awareness and community education programs [NAM2014]. Even though renewable energy projects seem to be all figured out, projects that aim to provide electricity in rural and remote area present a different set of issues.

The World Bank provides a booklet that breaks down what needs to be questioned and answered in putting together a sustainable off-grid rural electrification project. In short, they put forward the necessity of least cost design, practical technology choices, appropriate delivery mechanisms, community awareness, and maximization of opportunities, international co-financing and consistency with rural electrification [WOR2008]. A PricewaterhouseCoopers report entitled “Electricity beyond the grid” [2016] points out the fundamental nature of an integrated energy access plan and map development, creation of acceptance of off-grid initiatives, reliable payment solution, a dedicated fund and dependable team of people. A comparable series of information can also be found in a Sustainable Business Institute’s publication on how to scale up micro-utilities for rural electrification [PET2013].

In regard to success factors, there is definitely not a lack of comprehensive analytical literature that somehow leads to a consolidated guideline for electrification projects. The myriads of success stories act as a solid evidence. ACOB Lighting

is a company specialized in rural electrification in Nigeria and one of its projects is located in Kaduna state. The project provides 16 kW worth of power from a solar mini grid system [ACO2017]. JOFOS is another firm that carries out activities related to rural development, such as water pump systems and solar power engineering services. It completed a solar power installation to power a borehole in 1991 in Kano state [JOF2017]. Another great example of projects comes from Solar Electric Light Fund (SELF), an NGO, whose activities involve the design and implementation of solar power solutions for the bottom of the pyramid. It initiated a solar power project in 2001 with Jigawa Alternative Energy Fund (JAEF) and financial support from the US Government. As a result, some communities in Jigawa state now live with clean water, proper health centers, illuminated classrooms and streets [SELn.d.].

#### 2.4.2 Failed projects

Project management is a well-developed and widely used tool in many sectors and industries. Despite the extensive studies and examples on success factors, project failures still occur. There is preliminary research in this field revealing typical reasons of failures. Some scientists define three, ten or even more main factors that cause project to be unsuccessful. However, the majority of them, according to Dorsey [2005] are based on the same ground and include

- Lack of support (both financial and management)
- Lack of planning and resources and
- Insufficient interaction among involved parties

Wiggins [2016] mentions project schedule as one of the most important factors. Indeed, both overrun and underrun in terms of project proceeding can lead to undesired consequences.

In the case of Nigeria, 60 % of the projects in renewable energy have been reported to fail [NNA2015]. This review takes a look at a few examples and the reasons why they failed. Omisore [2011] indicates poor maintenance, technical problems, misunderstanding of local needs and communication challenges as the main reasons of failure. A solar electrification project in Bishop Kodji, Lagos State is a good illustrative example of those reasons. The project was intended to provide electricity to the local community and to power the fish driers, as fishing was a predominant occupation for inhabitants. The project's primary objective was to have direct impacts on people's living conditions and yet it stopped working three months after its launch because the company did not carry out any maintenance services after completing the system construction.

Locals were trained to operate the new system. Nonetheless, they could not make the transition from familiar sources of energy, such as diesel generator, wood pellets and kerosene to solar technology e.g. local women preferred cooking as they used to. Moreover, inhabitants tended to overcharge the batteries, which led to shorter project life-span. This is likely due to people's mentality and advanced knowledge gap. Additionally, it is worth noting that envy was an unforeseen factor that reinforced the collapse. The inhabitants of nearby villages sabotaged Bishop Kodji project after its successful setup. The combination and interaction of these factors condemned this project to fail [ADE2013].

A solar PV system in Oke-Agunla, Nigeria, provides insights on additional failure factors such as operational inefficiency. The construction of village electrification system was successfully done but the project was not able to meet household needs. The study revealed that only 14.5 % of the total 4.5 kW installed solar PV was utilized. Total inefficiency of the project can be attributed to poor maintenance, malfunctioning and lack of motivation from the performing company side. Local inhabitants in this case were also improperly trained [ISM2012].

Regarding governmental projects, Ogunmola [2015], a project management professional, names governmental inadequacy as one of the main triggering factors. In case of Nigerian Government, it single-handedly chooses the projects to invest in, which leads to frequent failures due to the lack of appropriate project management support.

## **2.5 Process and barriers to new technology adaptation**

### **2.5.1 Technology diffusion**

Switching from a non-sustainable socio-technological system to a sustainable one is one of the greatest challenges for sustainable development. Changing societal function is hard to describe and measure as uncountable variables influence the process. To describe the transition of socio-technological systems, Geels [2002] introduces a multi-level perspective (MLP) on transition. Firstly, one can find technological niches that offer a protected realm for learning and development. Secondly, the socio-technical regime offers stability by creating sets of rules and coordinating with existing socio-technical systems. Some of these stabilizing elements might be contracts, lifestyles, and subsidies. Thirdly, the socio-technical landscape is the highest level in the MLP. It is constituted by a wider exogenous environment and, thus, cannot directly be shaped by the actions of actors. Geels [2005] offered further insights into the interdependent process of transition that occur in four phases:

1. Firstly, scattered and unconnected radical innovations are developed in niches. Due to lack of rules and connectedness the existing regime is not yet threatened.
2. Secondly, the radical innovations start to gain importance in certain market niches and form rules which eventually start to stabilize. The new technology might become a source for specialization and gains support from various actors in the second phase.
3. Thirdly, in the next phase, the new technology becomes competitive and poses a threat to the existing regime. This happens not only due to the influence of internal forces, such as better prices and a community of support, but also relies on so-called “windows of opportunity” that open when there are tensions within the existing regime.

Lastly, in the final phase, the technology and innovation compete with existing technologies on the same level and a replacement process is triggered. This substitution process often happens gradually as vast perception changes within the socio-technological system might need to happen as well. Geels' MLP [2005] showed that actors, technologies, and rules constantly affect each other to transition into new socio-technological systems.

This contribution outlines the adoption of off-grid renewable energy systems and compares them with the status quo of technological solutions. Therefore, one might take a narrower view on the diffusion and adoption processes of particular technologies. Jacobsson and Johnson [2000] discussed the diffusion of renewable energy technologies and focused their work on the perspective of the technological system, which consists of actors, institutions, and networks that play an important role in determining how easily a new renewable technology is diffused. They claim that certain failure sets exist that might hinder diffusion, such as the threat of existing substitutes, a long period of adoption during the early phases and/or customer needs that cannot be articulated during the early phases. The authors conclude that the diffusion of new technologies could not be considered as a linear gradual process but rather as one of ups and downs dispersed over a long period of time.

#### 2.5.2 Barriers to the implementation of renewable energy (RE) projects in Nigeria

Renewable energy technologies such as wind and solar photovoltaics are technologies that can still be considered as growing in developing countries especially in most Sub Saharan Africa countries. Therefore, the deployment of such technologies is bound to face obstacles and barriers which will curtail efforts to provide energy from renewable resources. It is therefore imperative to identify

potential barriers and obstacles and develop strategies to deal with them in the project planning phase so as to ensure they do not hinder the success and sustainability of projects in the sector.

The sector has great potentials to provide cheap and clean energy in the long-term, although the investment capital is comparatively higher to people outside the reach of national grid systems, most of whom live in rural communities and also a majority of whom can be classified in the bottom of the pyramid economic group. Some potential barriers identified in the literature, mostly peer-reviewed research articles can be summarized under the following categories: lack of awareness and reluctance in accepting new technologies, capital investment, security, legislation and regulation, politics, policy and strategy, technology and innovation, and environmental support programs.

### **Social challenge and reluctance in accepting new technologies**

Dada [2014] identified the lack of awareness and reluctance in accepting new technologies as a barrier that could pose as a threat to renewable energy solutions. He states that most consumers do not know how electricity is produced and delivered to their homes. On the part of both public and private investors, there is also a lack of awareness of the great business opportunities in investing in the renewable sector. Therefore customers, regulators and investors need to understand and be convinced of the benefits of renewable energy. Governments need to identify and analyze stakeholders and the roles they can play in enhancing the growth of the sector. Governments can start the process by partnering with universities, research institutions, development organizations to organize workshops, symposia, seminars, conferences and town hall meetings to disseminate relevant information to the particular stakeholder group [EFU2013]. The draft of the Renewable Energy Master Plan of Nigeria proposes the setting-up of a National Renewable Energy Development Agency (NREDA), which can assist in increasing public awareness and providing information and assistance to interested stakeholders [ENE2012].

### **Security**

Security of investments in any sector is an important requirement for businesses to thrive. Moreover, no investor would be willing to invest his capital when the security of his investment is not assured, like sabotage of projects from other communities, who are envious that such projects were not implemented in their communities [IKE2017]. Nigeria is grappling with security challenges in the energy sector, there have incidents of vandalism of oil pipelines, kidnappings, bombings, armed robberies and lately activities of Boko Haram in the country [DAD2014].



## **Legislation and regulation**

The creation of appropriate policy framework of legal, fiscal and regulatory strategies is essential to the promotion of renewable energy development and attract the needed investment in the sector. In the Nigerian energy sector, it has been observed by Emodi and Ebele [2016] that various gaps exist in the energy policies, while some policies are long overdue for revision. Moreover, the follow-ups of all the Nigerian energy policies, strategies and targets are lacking, as well as commitment from the state and local government in renewable energy development. Some overlaps and duplication also exist in some activities of some ministries and government agencies in the country. Alignment is therefore required in the Nigerian energy policies, including the harmonization of National renewable energy, energy efficiency and rural electrification policy objectives, coordination of government agencies and effectiveness in the fulfilment of the mandate to coordinate policy issues.

## **Technology and innovation**

Although renewable energy projects exist in several developing countries including Nigeria, there is very limited research and development in the sector. Most of these technologies are imported from advanced countries. In order to promote the increase in use of renewable energy resources, the development of capacities locally is important. The aforementioned MLP of technology transition could be encouraged and accelerated with the support of Governments, with the investments in research and development of an appropriate curriculum in the various educational institutions to train the needed human resource for the sector. Also, governments can encourage innovation by instituting award schemes. There are several international opportunities available that governments can take advantage of, to develop technologies and also draw investment into the country.

## **2.6 Criteria in renewable energy projects decision-making**

### **2.6.1 Financial criteria**

Investments in new power generating capacities represent an important long-term decision, that locks down investors' capitals and creates environmental impacts for decades. The fact that investment and operating decisions are, first and foremost, market driven, highlights the importance of the economic parameters of any project. To a large extent, this comes to explain the low rate of commercial deployment of renewable energy technologies in the low-income countries. Due to their technological nature, renewable energy projects are generally characterized by relatively high up-front capital costs and lower ongoing operating costs.

In Sub-Saharan countries, Nigeria inclusive, there are no financial portfolios developed by banks and other financial institutions to support the renewable energy sector [WOR2013]. Since there are other sectors also competing for the same limited financial resources, renewable energy cannot compete due to the inadequate knowledge on sector thereby increasing the risk and uncertainties profile of such investment, which makes banks reluctant to advance loans for projects in the sector. Because of that, investment decisions are being often biased toward conventional technologies that concentrate lower financial risk and secured return on the investment [AHL2014].

Hussain [2013] reports that, as the share of capital costs in their total cost is much greater, many renewable energy projects might find it difficult to ensure long-term funding. This is particularly relevant in the context of low income states, where due to regulatory or other restrictions on bank loans, long-term financing is often difficult. Moreover, the lack of experience and familiarity with renewable energy technologies can make potential investors unable to assess the financial risk involved in the project and may further bias them towards investing in conventional energy systems.

Hamilton [2010] further states that on the one hand, an important issue that creates significant problems in obtaining private financing is the generally small scale of renewable energy systems. Economies of scale in due diligence are significant and many larger financial institutions and potential investors might be unwilling to support small projects. But on the other hand, off-grid small-scale applications benefit from avoiding the cost of new transmission network or distribution infrastructure.

Hussain [2013] also showcases that investments in renewable energy projects can become more attractive, if energy prices are able to properly internalize the externalities and take into account the wider global and local environmental impacts. However, up to date they fail to reflect the benefits renewable technologies have to offer - in particular, they could contribute to reducing the price volatility and increase the energy security of the state. Furthermore, in the long run, to diversify the supply mix and to reduce the reliance on fossil fuels which may be a subject to large price changes.

### 2.6.2 Sociopolitical criteria

Social criteria are important for the assessment of energy alternative sources because it will further guide the selection of the most suitable energy source for the model community that takes into consideration all the sociopolitical factors of the community and Nigeria. Research from the literature further gives credence

to this criterion. Tasri and Susilawati [2014] evaluated this criterion with government policy, social acceptance and labor impact as subcriteria in a study aimed at finding a renewable energy source that is best to generate electricity commercially based on a fuzzy analytical hierarchy process in Indonesia. Also, Tsoutsos, Drandaki, Frantzeskaki, Iosifidis and Kiosses. [2009] used this criterion in their research to provide regional authorities of the Island of Crete with an exploratory comprehensive analysis of renewable energy mix that have the potential to deal with increasing energy demands.

Previous sections discussed that biomass is the predominant energy source and widely accepted among the population. Fossil-fuel-based energy is the next important source of energy for Nigeria, however it is only about 40 % of the population that has access to energy from the national grid, which is also very unreliable thus compelling people to supply their own electric energy through diesel generator sets. Renewable energy sources are gaining prominence in the country but rather at a slow pace. Reasons for this development have already been discussed in previous sections.

### Quality of Life

Energy is recognized as being the principal means for providing access to basic needs such as food and water, while offering opportunities to improve the quality of life of people. The UN sustainable development goal seven states that all citizens of the world should have access to clean, affordable, reliable, sustainable and modern energy. Also, explicit linkage between access to energy and poverty alleviation has been established and the type of energy has a direct impact on the quality of life of the local populations. Furthermore, it has also been established there is a high correlation between energy and economic development and other indicators of modern lifestyle, [VOEn.d.], [GHA2004].

### 2.6.3 Environmental criteria

Nowadays, the evaluation of environmental impacts of a product or an activity has become a norm. Consumers are becoming more aware of the repercussions of their consumption behavior, hence their heightened expectation for the producers. International environmental agreements are urging the participating nations to comply with a set of agreed-upon behaviors and objectives. The involved parties, from manufacturers to distributors fulfill these demands in order to keep their competitive value.

The weight of environmental aspect is well captured by the creation of ISO 14000 family of environmental management standards for all sizes of organizations. Life-cycle assessment (LCA) under ISO 14040 is particularly gaining popularity,

as it considers the entirety of a product's environmental impacts. LCA accounts for "a product's life cycle from raw material acquisition through production, use, end-of-life treatment, recycling and final disposal" [ISO2006]. For most products, the use or operational phase represents the highest energy-consuming property. However, the disposal and end-of-life value of a product poses environmental issues, as the obsolete goods and old technologies and components are piled in landfills such as the one that is known as the world's largest electronic landfill in Accra, Ghana [SHI2015]. At its end of life, an item's composite elements can be recycled, reused in the manufacture of other products or thrown straight to landfills. Naturally, the higher the proportion of the recyclable and reusable components of a product, the better it would be. The ever-increasing amount of used products are a burden for the environment, making EoL value an important factor, even as early as in the design and conception stages of a product. This approach is referred to as a design-for-recycling [PNU1997].

Unlike a product's life cycle, the impacts of a process or a project is distinct and more complicated as it includes different LCAs, transportation, location, resources and many other factors. The common instrument for a project is Environmental Impact Assessment (EIA). According to EU's EIA Directive 2014/52/EU, an EIA is a way to analyze projects that are very likely to have substantial effects on the environment. This directive lists the critical elements that need to be assessed i.e. climate change adaptation and mitigation, risks of major accidents and disasters, biodiversity and use of natural resources [EUR2017]. Aside from the EU Directive, there are other approaches of EIA provided by international and national institutions such as the US EPA and the Asian Development Bank.

In a 40 MW solar-powered electricity generation project in Dhursar, Rajasthan, the environmental impacts are divided based on the project phases i.e. planning and design, construction, operation and decommissioning [DAH2011]. Moses and Ng'Eny [2015] use a similar style for a 40 MW solar project in Kilifi County, Kenya. Meanwhile, an EIA prepared by the US Department of Energy (DOE) for a PV project in Colorado enlists the air quality and GHGs, visual resources, wildlife, vegetation and cultural resources [DOE2011]. Even if the renewable energy resource differs, the principal EIA framework remains similar, as illustrated by an EIA of a wind power generation in Sri Lanka. The EIA goes through the impact that the location and design choice, project phases and mitigation would have inflicted on the environment [CEY2017].

As for their nonrenewable counterparts, the EIA naturally calls for a broader coverage. In Kekaha, Hawaii, a diesel generator power plant project prepares an assessment report that covers the hazardous material and waste, in addition to the

usual environmental resources [TEC2010]. It is clear that EIA content varies from one project to another. However, they all have a number of elements in common, such as the impacts of the project on natural resources (air, water, soil), be it quantitative or qualitative. The single most reliable and quantifiable environmental impact parameter, aside from the total energy used is the emissions of greenhouse gases (GHGs). GHGs emissions have been studied and analyzed many times over as the main cause of global climate change. Since then, they have become the focus for experts, environmentalists and regular people alike. For example, today's public is familiar with the concept of carbon footprint. Further, with the creation of carbon trade mechanism, the stakeholders are even more incentivized to analyze and report their carbon mitigation projects. Therefore, these elements of any EIA will be the foundation of environmental criterion in the technology AHP of this work, along with the end-of-life value of the presumably environmentally taxing components, i.e. solar panels, generators and batteries.

## **2.7 HOMER Pro Software**

Hybrid Optimization of Multiple Energy Resources (HOMER) is a computer model developed by the National Renewable Energy Laboratory (NREL) in 1992. The software compares different methods of energy production and designs off-grid and grid-connected systems. HOMER Pro simulates behavior of energy systems and calculates its costs for all operational period, including installation and maintenance costs. The program allows to compare many different options for the design of energy system (from totally renewable to completely non-renewable or hybrid ones) and to determine its technical and economical merits, as well as risks. The software provides various combinations of energy resources with a wide range of solutions for future project. For example, it is possible to choose between wind generator and PV panel, diesel generator or thermal and hydrogen loads, micro hydropower and biogas, different types of batteries and fuel-cell sources [NAT2004].

The program structure contains three main modules, simulation, optimization and sensitivity analysis. HOMER Pro allocates feasible results of simulation based on life-cycle costs. By changing input parameters such as inflation or discount rate, the designer can examine the impact of sensitivity variables [NAT2004].

The simulation phase aims to define feasibility and life-cycle costs of a designed system. HOMER Pro can simulate different types of system configuration and components, how they behave in a long-run within an operating strategy. Furthermore, HOMER Pro configures the system by doing an hourly time series

simulation of its operation over the period of one year. Then, the program assesses available renewable power, compares it to the electric load and makes a decision how to deal with an excess, or a deficit, of electricity. HOMER Pro also provides detailed information on the performance of each component of a given power system [LAM2005].

The optimization phase aims to define the best or optimal configuration for the designed system. HOMER Pro then sorts all possible solutions in descending order of net present cost (NPC) which is the representation of all the costs and revenues during the project lifetime, including discounted cash flows. The best solution with lowest NPC is located on the top of a final table and has to satisfy user requirements. Hence, the user has the possibility to choose among different options, e.g. the size of a PV array or generator, the number of wind turbines, batteries and others [LAM2005].

The sensitivity analysis deals with uncertainty of the project. It provides a modeler the possibility to evaluate the output of designed system by changing input parameters. These input variables, for example, can include fuel price, interest rate or grid power price [LAM2005].

The software presents the results in the form of tables and graphs, which visualize all processes and configurations and facilitates the final decision-making. Therefore, HOMER is able to take into account future uncertainties and to generate the results based on desired assumptions.

### **3 Methodology**

#### **3.1 Village modelling and load assessment**

We created a statistical model of a typical village in Sokoto State, Nigeria. As the name suggests, it was constructed with the most recent available statistical data of Sokoto, such as demographic and geographic data. When relevant Sokoto data was not available, we resorted to Nigerian statistical data. Due to incompleteness of available secondary data, we had to use our knowledge and judgment to determine some conditions.

As for the village load assessment, we calculated the amount of energy demand that would arise from the established village model. We created the household conditions based on several other comparable scientific papers. Moreover, we used a combination of our judgment and internet sources to construct the energy needs for public and commercial infrastructures.

#### **3.2 HOMER Pro simulations**

As was previously mentioned, HOMER Pro is a widely-used software for energy system modelling. For this reason, HOMER Pro was assumed to be suitable for this particular type of research. The process of model simulation using HOMER Pro comprised of several steps that varied, depending on preferred configuration and input parameters. The process started from the design tab, where basic information about future project was inserted. This information included project's name, its authors and remarks (if necessary). Then, project location had to be chosen - in our case it was Sokoto state in Nigeria. Information regarding the climatic conditions of the region was automatically downloaded from a NASA databank. Additionally, discount rate and inflation rate were set at 14 % and 16 %, respectively. The data was based on the available information from National Bureau of Statistics [NAT2017a] and Trading Economics [2017], as of December 2017. Project's lifetime has been estimated at 25 years.

The next step consisted of Electric Load set up, where project profile could be selected, and peak months were specified. In our example, community profile without any peak months was chosen. We assumed that the modeled village would consume electricity evenly throughout the year because there is no distinct dry or rainy season in Sokoto. Additionally, we input scaled annual average load of 1511.32 kWh/d.

After electric power load was set, the system components had to be added. It included a wide range of either renewable or non-renewable resources (see Table 2). In the case of our project, we choose 1kw PV Generic flat plate collectors,

Generic wind turbines and Auto-sized genset. Generic types were offered by HOMER Pro software without any specifications. Due to scarce past experience and data availability regarding technical details of the off-grid solutions, generic types for each designed system were chosen. Moreover, there was a need to add battery and converter to the given system. As highlighted before, further scenarios would be based on battery differences in terms of PV plant and hybrid PV-diesel. For this reason, either lead-acid battery or Lithium-ion had to be chosen. However, for diesel scenario fuel price had to be added in this step and as of December 2017, the price was € 0.48 per liter.

**Table 2: Summary of designed systems and its components**

System	Components
Diesel	Auto-sized Genset
PV/LAB	1 kW Generic flat plate PV Generic 1 kWh Lead acid batteries
PV/Li-ion	1 kW Generic flat plate PV Generic 1 kWh Li-Ion
Hybrid PV-Diesel/LAB	1 kW Generic flat plate PV Generic 1 kW Lead acid batteries Auto - size genset
Hybrid PV-Diesel/Li-ion	1 kW Generic flat plate PV; Generic 1 kW Lithium-ion batteries; Auto - size genset;
Wind Turbines with lead-acid battery	3 kW Generic wind turbine; Generic 1 kWh Lead acid batteries
Wind Turbines with lithium-ion battery	3 kW Generic wind turbine Generic 1 kWh Li-Ion

In the end, HOMER simulated the results in the form of graphs and tables and presented feasible solutions based on above mentioned input parameters. Table 3 summarizes the constant variables for all designed systems.



**Table 3: Input parameters for HOMER Pro simulation**

Particulars	Details
Country	Nigeria
Location	Gusau Road, Sokoto
Latitude	13°0,4'N
Longitude	5°14,9'E
Weather data source	NASA Surface Meteorology and Solar Energy (July 1983 - June 2005)
Inflation rate	16 %
Discount rate	14 %
Fuel Price (€)	0.48
Electric load (kWh/day)	1511.32
Project life time (years)	25

HOMER Pro provided the simulation outcome in form of tables and graphs. The results pertaining to the economy included initial cost, annualized cost, cost of energy, net present cost (NPC), operation and maintenance cost (O&M), operating cost and a few others. These financial properties of a system were calculated using formulas that were specific to HOMER Pro. The definitions and breakdown are as follows:

1. **Initial Cost:** The initial capital cost of a component is the total installed cost of that component at the beginning of the project.
2. **Annualized cost:** The annualized cost of a component is the cost that, if it was to occur equally in every year of the project lifetime, would give the same net present cost as the actual cash flow sequence associated with that component. HOMER calculates annualized cost by first calculating

the net present cost, then multiplying it by the capital recovery factor, as in equation (1).

$$C_{ann} = CRF (I, R_{proj}) \times C_{NPC} \quad (1)$$

where:

$C_{NPC}$  = the net present cost (\$)

$i$  = the annual real discount rate (%)

$R_{proj}$  = the project lifetime (year)

CRF()= a function returning the capital recovery factor

3. **Cost of Energy (COE):** HOMER defines the levelized cost of energy (COE) as the average cost per kWh of useful electrical energy produced by the system.

To calculate the COE, HOMER divides the annualized cost of producing electricity (the total annualized cost minus the cost of serving the thermal load) by the total electric load served, using equation (2):

$$COE = \frac{C_{ann, tot} - c_{boiler}H_{served}}{E_{served}} \quad (2)$$

where:

$C_{ann, tot}$  = total annualized cost of the system (€/year)

$c_{boiler}$  = boiler marginal cost (€/kWh)

$H_{served}$  = total thermal load served (kWh/year)

$E_{served}$  = total electrical load served (kWh/year)

The second term in the numerator is the portion of the annualized cost that results from serving the thermal load. In systems, such as wind or PV, that do not serve a thermal load ( $H_{thermal} = 0$ ), this term is zero.

4. **Net Present Cost (NPC):** The net present cost (or life-cycle cost) of a Component is the present value of all the costs of installing and operating the Component over the project lifetime, minus the present value of all the revenues that it earns over the project lifetime. HOMER calculates the

net present cost of each Component in the system, and of the system as a whole.

5. **Operations and Maintenance Cost (O&M):** The Operation and Maintenance (O&M) cost of a Component is the cost associated with operating and maintaining that Component. The total O&M cost of the system is the sum of the O&M costs of each system Component. For most Components, you enter the O&M cost as an annual amount. For a generator, you enter the O&M cost as an hourly value, and HOMER multiplies that by the operating hours per year to calculate the annual O&M cost.
6. **Operating cost:** The operating cost is the annualized value of all costs and revenues other than initial capital costs. HOMER uses equation (3) to calculate the operating cost:

$$C_{operating} = C_{ann, tot} + C_{ann, cap} \quad (3)$$

where:

$C_{ann, tot}$  = the total annualized cost (€/year)

$C_{ann, cap}$  = the total annualized capital cost (€/year)

7. **Replacement cost:** The replacement cost is the cost of replacing a Component at the end of its lifetime, as specified by Lifetime parameter in the Component model. This cost can be different than the initial capital cost for several reasons:
8. **Salvage Value:** Salvage value is the value remaining in a component of the power system at the end of the project lifetime. HOMER assumes linear depreciation of components, meaning that the salvage value of a component is directly proportional to its remaining life. It also assumes that the salvage value depends on the replacement cost rather than the initial capital cost. HOMER calculates salvage value using equation (4):

$$S = C_{rep} \times \frac{R_{rem}}{R_{comp}} \quad (4)$$

$R_{rem}$ , the remaining life of the component at the end of the project lifetime, is given by equation (5):

$$R_{rem} = R_{comp} - (R_{proj} - R_{rep}) \quad (5)$$

$R_{rep}$ , the replacement cost duration, is given by equation (6):

$$R_{rep} = R_{comp} \cdot INT\left(\frac{R_{proj}}{R_{comp}}\right) \quad (6)$$

where:

$C_{rep}$  = replacement cost (€)

$R_{comp}$  = component lifetime (year)

$R_{proj}$  = project lifetime (year)

INT(...) = a function that returns the integer amount of a real number;  
for example, INT(6.843) = 6

9. **Simple Payback:** Is the number of years at which the cumulative cash flow of the difference between the current system and base case system switches from negative to positive. The payback is an indication of how long it takes to recover the difference in investment costs between the current system and the base case system.

10. **Storage wear Cost:** The battery wear cost are the costs of cycling energy through the storage bank. If the storage properties indicate that the storage life is limited by throughput, HOMER assumes the storage bank requires replacement when its total throughput equals its lifetime throughput. Therefore, with each kWh of throughput, the storage bank approaches its required replacement. HOMER calculates the storage wear cost using equation (7):

$$C_{bw} = \frac{C_{rep, batt}}{N_{batt} \cdot Q_{lifetime} \cdot \sqrt{\eta_{rt}}} \quad (7)$$

where:

$C_{rep, batt}$  = replacement cost of the storage bank (€)

$N_{batt}$  = the number of batteries in the storage bank

$Q_{lifetime}$  = the lifetime throughput of a single storage (kWh)

$\eta_{rt}$  = storage roundtrip efficiency (fractional)

Alongside the economic parameters of a renewable energy generation system,

HOMER Pro provides technical performance of each component and the system as a whole. The definition and formulas of these parameters are as follows:

1. **Rated Capacity:** The nominal capacity (or rated capacity) of a Storage Component is the amount of energy that can be withdrawn from it at a particular constant current, starting from a fully charged state. The current used to rate batteries varies from one manufacturer to another, but it is typically either the 10-hour, 20-hour, or 100-hour rate. The 10-hour rate ( $C_{10}$ ) drains the Storage Component after 10 hours.
2. **Mean Output:** The average power amount of the generating system over the year, in kW.
3. **Capacity Factor:** The average power output of the generating system divided by the total generating systems capacity, in percentage (%).
4. **State-of-Charge (SOC):** The relative state of charge is the ratio of the current absolute state of charge to the maximum capacity of the storage bank. When the batteries are fully charged, the relative state of charge is 100 %. Wherever HOMER reports the amount of energy stored in the storage bank, it reports the relative state of charge.
5. **Lifetime throughput:** If the storage properties indicate that the storage life is limited by throughput, HOMER assumes that the Storage Component requires replacement after a fixed amount of energy cycles through the storage, regardless of the depth of the individual charge-discharge cycles. HOMER uses this lifetime storage throughput to calculate the life of the storage bank and the storage wear cost.
6. **Renewable fraction:** The renewable fraction is the fraction of the energy delivered to the load that originated from renewable power sources. HOMER calculates the renewable fraction using equation (8):

$$f_{ren} = 1 - \frac{E_{nonren} + H_{nonren}}{E_{served} + H_{served}} \quad (8)$$

where:

$E_{nonren}$  = nonrenewable electrical production (kWh/year)

$E_{grid, sales}$  = energy sold to the grid (kWh/year) (included in  $E_{served}$ )

$H_{nonren}$  = nonrenewable thermal production (kWh/year)

$E_{served}$  = total electrical load served (kWh/year)

$H_{served}$  = total thermal load served (kWh/year).

**7. Renewable Penetration:** In every time step, HOMER calculates the renewable penetration using equation (9):

$$p_{ren} = \frac{P_{ren}}{L_{served}} \quad (9)$$

where:

$P_{ren}$  = total renewable electrical power output in this time step (kW)

$L_{served}$  = total electrical load served in this time step (kW)

### 3.3 Multi-Criteria Decision Analysis (MCDA)

According to Pohekar and Ramachandran [2003] energy planning using multi-criteria analysis has attracted the attention of decision makers for a long time and that the method can provide solutions to increasing complex energy management problems. Therefore, studies in the past, that have focused on a single criterion such as the very efficient supply option with the least cost analysis is not sufficient in the evaluation and selection of an energy source these days amidst growing environmental awareness, climate change and sustainable development goals to be achieved by 2030, thus the need to include other criteria for a comprehensive analysis that considers these other important factors.

There are several approaches to conducting a MCDA. However, the three main approaches are:

- Multi-attribute utility theory (MAUT)
- Outranking (including PROMETHEE and ELECTRE) and
- Analytical Hierarchy Process (AHP)

Pohekar and Ramachandran [2003] further explain that MCDA methods deal with the process of making decisions in the presence of multiple objectives. A decision-maker is required to choose among quantifiable or non-quantifiable and multiple criteria. The objectives are usually conflicting and therefore, the solution is highly dependent on the preferences of decision-makers and must therefore, be a compromise. For our study we decided to use the AHP approach.

### **Analytical Hierarchy Process**

Decisions on investments in energy supply systems are highly complex. The decisions are contingent on not only the investor's financial situation, but also qualitative criteria. The Analytic Hierarchy Process (AHP) is a well-established method that is used to support decision-making for multi-criteria decision problems. It is a psychophysical theory of measurements made through pairwise comparisons and is based on the judgments of experts as well as on hard empirical facts. The final aim is to derive a priority hierarchy that could support the decision-making process [SAA2008a]. This very property of AHP was what drove us to choose it over the other MCDA methods. Comparisons of different criteria are made based on a scale of absolute judgments that represent the degree to which one criterion dominates another with respect to a given attribute [ZOO2010].

We molded this method according to the purposes of this work and the first step was to identify criteria that would be emblematic for technology investment decisions in the energy sector. In a second step, the criteria were weighed individually according to the AHP method. To obtain reliable results in weighting the chosen criteria, the AHP analysis was performed by projecting the viewpoint of a potential investor, as well as the one of the beneficiaries of the project. These roles were assumed to be influential decision-making parties for adoption decisions in the energy sector.

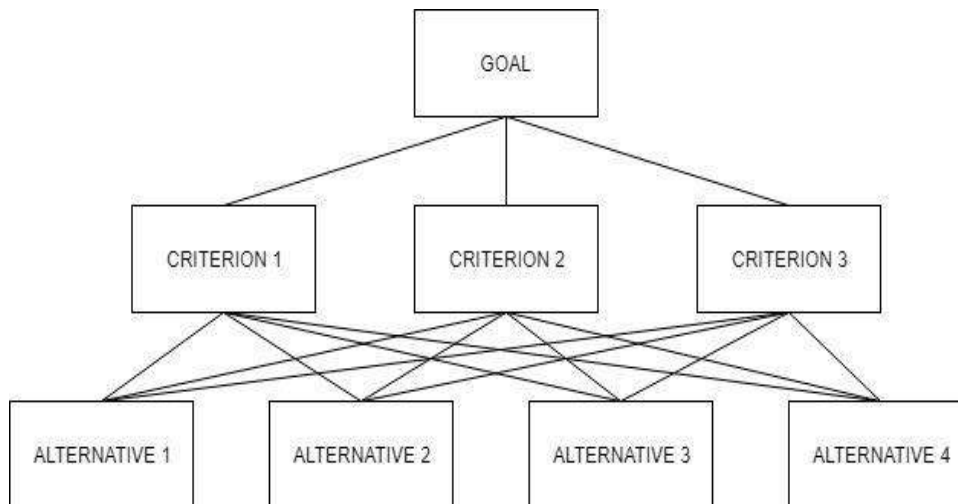
To weigh the criteria, pairwise comparisons between each criterion were conducted. The weighting was done based on a 9-point scale [SAA2008a]. For example, a ratio of 9:1 means that one of the criteria was extremely more important in comparison to another and vice versa.

At the same time, a ratio of 1:1 means that both criteria are of equal importance. The process then looked as follows: first, we individually weighted the criteria. After that, a group weighting session was held to find a consensus and to meet the method's consistency requirements. To check the consistency of the weights, the consistency ratio has to be calculated [SAA2008b]. This measure allows to indicate whether the participants in the evaluation made consistent judgments. Saaty [2008b] suggested that this ratio should not exceed 10 % and, if it does, the pairwise comparison must be repeated.

**Table 4: Saaty's fundamental 9-point scale of absolute numbers [SAA2008a]**

Intensity of Importance	Definition
1	Equal importance
2	Weak or slight
3	Moderate importance
4	Moderate plus
5	Strong importance
6	Strong plus
7	Very strong or demonstrated importance
8	Very, very strong
9	Extreme importance

The final evaluation was performed based on the obtained weights as well as on the comparison between the alternative solutions. For the AHP, the previously obtained results of the investment appraisal as well as the environmental assessment were considered.



**Figure 2: AHP criteria hierarchization scheme**



### 3.3.1 Scoring method

The weights of subcriteria and main criteria would not mean anything without assessing each of the technology according to their objective performance in the mentioned criteria. Thus, we sought to obtain the relative performance score of each energy generation system by creating a grading scale of 0 to 10 with the following steps.

1. We find the lowest and highest value within the range of the quantifiable economic and environment subcriteria.
2. Subsequently, we find the difference between the two extremes and divide it by 10 to acquire the units for scoring scale. For economic subcriterion, the relative zero would be given the highest value, as the higher the cost is, the less favorable it is for the project. Concerning the environmental subcriterion: the GHGs emissions scale was created in the same way as the economic counterpart. However, the scale for the EoL value expressed in recyclability and/or reusability rate was the reverse, as the higher the rate was, the better the score would be. The calculation is shown in equation (10):

$$\frac{Value_{max}-Value_{min}}{10} \quad (10)$$

With the help of the formula, all intervals of score points could be calculated.

3. We evaluate the performance of each system based on the scale and rate it from 0 to 10.

With regards to social subcriterion, as there was not any quantitative point of reference, we utilized the same logic of scoring. However, instead of an interval of numbers, we used available information and data, our assumptions and knowledge, expertise and judgment to give appropriate relative scores. All calculated subcriteria scoring scales can be found in the Appendix of this contribution.

### 3.3.2 Financial Criteria

Based on the findings of the literature review and the results from the HOMER Pro simulation results, we derived the four economic criteria. The first one - “capital cost”, the total cost of the energy generation plant, which included the cost of all equipment and all installation costs at the beginning of the project. Capital cost is the most used economic criterion to evaluate energy systems and often

recognized by the literature as a main barrier to introducing off-grid renewable energy systems in low income states [AHL2014]; [HUS2013].

The second criterion “Operating cost” is the cost associated with operating and maintaining each component of the energy system throughout the entire life-cycle of the project. On the one hand, the operation costs include the funds spent for the energy, services, insurance, wages etc. for the energy system operation. On the other hand, maintenance costs are associated with the cost that aims to prolong the life of the energy system and avoid failures that may lead to its operation suspension e.g. replacement costs.

The third criterion is associated with the cost of energy (COE). The HOMER Pro software defines the cost of energy as the average cost per kWh of useful electrical energy produced by the system. To calculate the COE, Homer Pro divides the annualized cost of producing electricity by the total electric load served.

Governments, investors, producers and consumers have different expectation on the cost of energy. Therefore, it is necessary to evaluate the electric cost of different energy systems.

The fourth chosen criterion is “Payback period”. The payback period of an energy project refers to the number of years it takes for the cumulative income to equal the value of the initial investment. From the viewpoint of an investor, shorter payback periods are preferable to longer payback periods. In order to calculate the payback period of one alternative the Homer Pro software compares it to another alternative or to the base case scenario, in the current case to the “Diesel-only energy system”.

### 3.3.3 Social criteria

A community’s acceptance of generating system refers to the specific acceptance of siting decisions by local stakeholders, particularly residents and local authorities. [WUE2007]. Therefore, social acceptability is adopted as one of the social subcriteria.

Employment directly relates to the contribution of the project to local development. This criterion estimates the global social and economic effects that may be felt in the areas affected by the initiatives. The potential effects are: the creation of new jobs, new supply chain businesses, emerging energy sector businesses and industrial districts.

Quality of life as a third subcriteria can be evaluated based on the impacts the provision of energy from various generating systems on quality of life indicators,

especially poverty and shared prosperity, which represent indicators that measure progress toward the World Bank Group's twin goals of ending extreme poverty by 2030 and promoting shared prosperity in every country.

- People, which showcase indicators covering education, health, jobs, social protection, and gender equality and provides a portrait of societal progress across the world.
- Environment, which presents indicators on the use of natural resources, such as water and energy, and various measures of environmental degradation, including pollution, deforestation, and loss of habitat, all of which must be considered in shaping development strategies.
- Economy, which provides a window on the global economy through indicators that describe the economic activity of the more than 200 countries and territories that produce, trade, and consume the world's output.
- States and markets, which encompasses indicators on private investment and performance, financial system development, quality and availability of infrastructure, and the role of the public sector in nurturing investment and growth.
- Global links, which presents indicators on the size and direction of the flows and links that enable economies to grow, including measures of trade, remittances, equity, and debt, as well as tourism and migration.

#### 3.3.4 Environmental Criteria

In order to evaluate the environmental performance of an off-grid system, we decided to have three criteria. The first one was the CO<sub>2</sub> and CO emissions expressed in Global Warming Potential (GWP). This criterion has been selected as it is generally acknowledged that the most taxing phase of a project is its operating stage. The relevant data that has been provided via system simulation on HOMER.

The second environmental criterion was the end-of-life performance value of the main components of a system. Following literature research of each component's LCA, we came to conclusion that existing researches results vary substantially, depending on the factors that the writers chose. Therefore, the proportion of components' parts that is recyclable and reusable, expressed in percentage, was selected as the most reliable and uniform environmental impact indicator.

The third environmental criterion was the impact of the installation of the system in terms of land use. We chose this criterion as it represents the most quantifiable criterion pertaining resource utilization. We calculated the approximate surface area that each system would take.



## 4 Results

### 4.1 Village profile and load

#### 4.1.1 Village profile

The construction of a model village in Sokoto was mostly based on the latest statistical data available, with the reference to existing papers with similar approaches. When there was no data available, we resorted to educated assumptions. Through the combination of them, we created the following profile (see Table 5).

**Table 5: Demographic overview of the modeled village**

Particulars	Details
Number of households	200
Average household size [FAO2016]	7
Total population	1,400
System	110,000.00

The modeled village has an area of 7.28 km<sup>2</sup> and it is inhabited by population whose age composition was assumed to be the same as the one of Sokoto state. The population is young, as 19.1 % of it is under 5 years old and 33.4 % is between 5 and 17 years old [FAO2016].

#### **Public facilities and infrastructure**

In 2014, there were 673,960 children enrolled in 1,990 public primary schools or in other words, 339 students attended one primary school [NBS2016]. In the modeled village there are 468 young people, who are in the age of primary and secondary school, so there is a need for one primary school.

Due to the absence of data on the number of hospitals or medical centers in Sokoto state, we referred to the national data. According to the latest World Bank [n.d.-c] data from 2004, there was 0.5 hospital bed for 1,000 people in Nigeria, or 1 hospital bed for 2,000 people. Therefore, in a village of 1,400 inhabitants, it is assumed, that there would not be any hospital or medical center.

Located in a state where Islam is by far the most popular religion, and a caliphate for that matter, mosques are essential for the population, as accurately depicted

by the construction of 189 mosques in the past year alone [AUW2017]. The actual number of mosques in Sokoto or Nigeria has not been documented, which led us to make an educated estimation. We computed that 3 small-sized mosques would be sufficient for the village.

The village would also have a small commercial center where people could purchase their necessities. The center would consist of a general store and a small market or grocery store.

#### 4.1.2 Village electricity load profile

For the purpose of this study, an estimation of electricity demand of the remote rural village with no access to grid electricity was performed. It was carefully estimated considering existing statistical data for this part of Nigeria, and by analyzing previous reports and studies on the consumption habits of local dwellers. The final load assessment was conducted in an Excel worksheet.

The typical energy profile of such small-scale communities looks like this: The electricity demand increases steadily throughout the day, starting from 06:00 in the morning, and reaching its peak between 18:00 and 21:00. Moreover, in such a remote rural community, an insignificant difference between the daily electricity demand patterns for weekdays and weekends and for the different times of the year, can be observed.

In comparison to urban areas, the demand for electricity in remote rural villages is not high. Table 6 gives an overview of the entire load profile of the modeled community. The daily average energy consumption was estimated to be around 1511.32 kWh/d, for which an off-grid energy system with generation capacity of slightly less than 63 kW would be required. Almost the entire electrical energy generated (nearly 98 %) would be demanded for domestic use i.e. for appliances like televisions, radios, refrigerator, lighting, fans, etc. Around two-thirds of this share, would be consumed by old and energy inefficient refrigerators.

Slightly above 1 % of the total energy demand would be supplied to two small commercial buildings, where again the refrigerators would be the main electricity consumer. The final 1 %, would be distributed among the primary school and the public spaces, where lighting would account for most of the consumption.

The calculated load of 62.97 kW or 1511.32 kWh per day, along with other parameters (see Table 6) were input for each system simulation on HOMER Pro. The results will be described and analyzed in the following section.

**Table 6: Calculation and breakdown of household and village electricity load profile**

Item	Number of Units	Wattage	Duration of use/day	Daily consumption (Wh)	Monthly consumption (Wh)	Monthly consumption (kWh)
Household						
Lights	4	15	6	360	10,800	10.8
CRT TV 21"	1	80	10	800	24,000	24
Phone charging	1	5		0	0	0
Fan	1	50	5	250	7500	7.5
Refrigerator	1	750	8	6,000	180,000	180
Sub-total	8	900	29	7,410	222,300	222.3
Total	200			1,482,000		44,460
Public infrastructure & Primary School						
Streetlights	7	60	12	5,040	151,200	151.2
Mosques (3)	3	60	12	2,160	64,800	64.8
Lights	12	40	3	1,440	43,200	43.2
Fans	9	50	5	2,250	67,500	67.5
Computer	1	300	5	1,500	45,000	45
CRT TV 21"	1	80	5	400	12,000	12
Total		590	42	5,590	383,700	383.7
Commercials						
Refrigerator	2	900	8	14,400	432,000	432
Freezer	2	108	8	1,728	51,840	51.84
Lights	2	40	5	400	12,000	12
Total				16,528		495.84
Grand Total						45,339.54
Power load (kW)						<b>62.97</b>

## 4.2 HOMER Pro results

### 4.2.1 Wind with lead acid batteries

The system is comprised of 3 kW Generic wind turbine and Generic 1 kWh Lead acid batteries (see Figure 3).

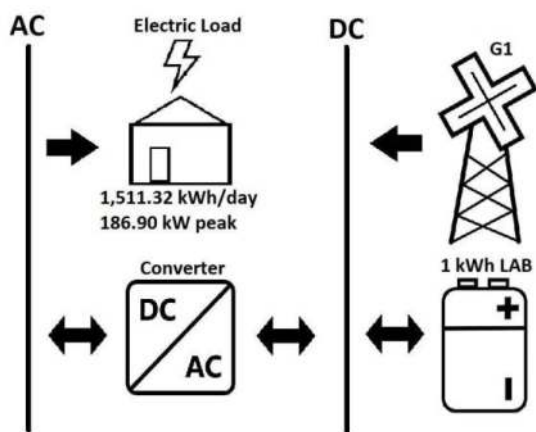


Figure 3: Scheme of wind turbine with lead acid batteries system

### HOMER simulation results

The HOMER Pro calculation process did not provide any feasible solution for this system configuration. It suggested the addition of autosize generator or generation capacity.

### 4.2.2 Wind with Lithium-Ion batteries

The system is comprised of 3 kW Generic wind turbine and Generic 1 kWh Li-Ion (see Figure 4).

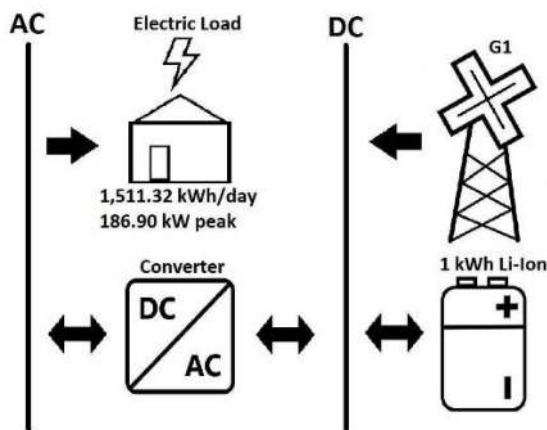


Figure 4: Scheme of wind turbine with Li-ion batteries system



### HOMER simulation results

The HOMER Pro calculation process did not provide any feasible solution for this system configuration. It suggested the addition of autosize generator or generation capacity.

#### 4.2.3 Diesel system

The system is comprised of an auto-size diesel generator designed to produce 654,898 kWh per year of electrical power (see Figure 5). An electric generator is a device that converts mechanical energy obtained from an external source into electrical energy as the output. The main components of a generator are; The Engine, Alternator, Fuel System, Voltage Regulator, Cooling and Exhaust Systems, Lubrication System, Battery Charger, Control Panel and the Main Assembly / Frame [DIEn.d.]. It is designed to use diesel as fuel.

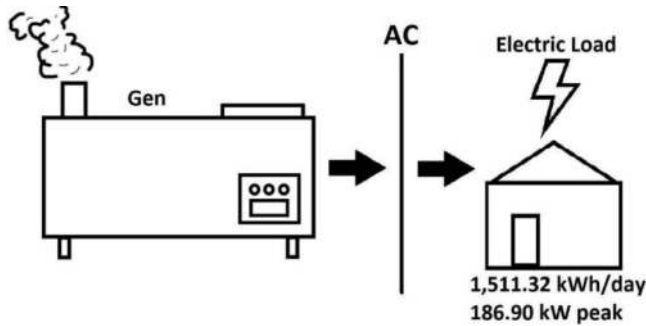


Figure 5: Scheme of diesel generator system

### HOMER simulation results

The results from the simulation with HOMER software shows that the operating cost was the most important cost component for this technology option, it has 46 % share of the total cost, and 0.097 % of the total cost would be recovered at the end of the lifespan of the components as the salvage value (see Table 7). The technology has the least capital cost compared to the other technologies evaluated. Although it had the least capital cost, emissions were the highest from this technology with carbon dioxide (CO<sub>2</sub>) being emitted the most. With climate change concerns and the need to deliver reductions in carbon emissions, as the electricity supply sector is responsible for around 37.5 % of total CO<sub>2</sub> emissions. [SIM2003], other environmental impacts from other emissions are given in Table 9. Furthermore, possible fuel spillage would pose an additional risk of contaminated soil, groundwater and possibly waterways, the above enumerated factors cast doubts about the environmental suitability of this technology [UNE2011].

We also conducted an analysis at different fuel prices in consideration of volatility in market fuel prices. The analysis gave us an insight into how fuel price

would affect the cost structure of the system. Details of the results are displayed in Table 8.

**Table 7: Cost summary of diesel system**

	Capital (€)	Replacement (€)	O&M (€)	Fuel (€)	Salvage (€)	Total (€)
Autosize Genset	110,000.00	1,939,306.90	1,826,370.52	3,220,478.54	-67,964.34	7,028,191.62
System	110,000.00	1,939,306.90	1826,370.52	3,220,478.54	-67,964.34	7,028,191.62

**Table 8: Diesel fuel prices with 15 % increment and resulting costs**

Diesel fuel price (€/L)	Initial capital (€)	Operating costs (€/yr)	NPC (€ million)	COE (€)	O&M cost (€)
0.48	110,000	219,004	7.03	0.393	57,816
0.55	110,000	233,871	7.50	0.419	57,816
0.63	110,000	250,863	8.03	0.449	57,816
0.73	110,000	272,102	8.71	0.487	57,816
0.84	110,000	295,465	9.44	0.528	57,816

**Table 9: Diesel system's emission breakdown**

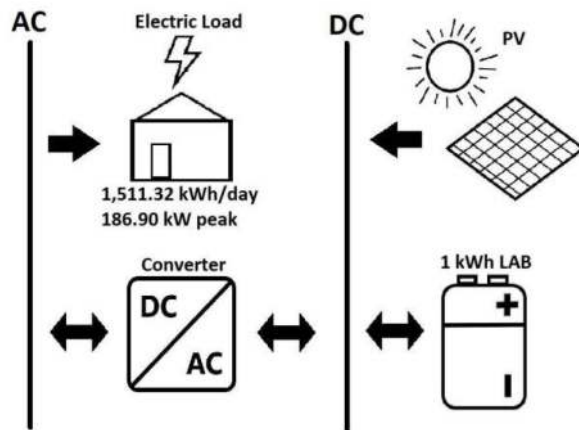
GHG	Value	Units
Carbon Dioxide	555,961	kg/yr
Carbon Monoxide	3,504	kg/yr
Unburned Hydrocarbons	153	kg/yr
Particulate Matter	21.2	kg/yr
Sulfur Dioxide	1,361	kg/yr
Nitrogen Oxides	3,292	kg/yr

**Table 10: Total diesel system electricity generation in kWh per year**

Production	kWh/yr	%
Autosize Genset	654,898	100
Total	654,898	100

#### 4.2.4 PV and Lead Acid Battery system

The system relies solely on solar irradiation as the energy source, captivated by HOMER Pro’s Generic flat plate PV. The energy is then stored in Generic 1 kWh Lead Acid Batteries. Subsequently, the DC is converted to AC with System Converters (generic), to be distributed to households and commercial centers. After choosing all components, HOMER Pro calculated the results.



**Figure 6: Scheme of PV/LAB system**

#### HOMER simulation results

HOMER yielded only one feasible solution for this combination of components. The solution required an initial investment of € 3.59 million (see Table 11). The calculated COE amounted to € 0.37 and with that tariff, the project would reach its investment breakeven point in 9.1 years or at 37 % of project completion.

**Table 11: Cost summary of PV/LAB**

Initial capital (€)	Operating costs (€)	NPC (€)	COE (€)	Rate of return (%)	Simple pay-back (yr)	Renewable Fraction (%)
3.59 M	2.84 M	7.17	0.37	20 %	9.1	100 %

### Economic analysis

In this system scenario, € 2.4 million or 66.7 % of the initial capital was allocated to finance the PV panels purchase (see Table 12). However, due to the long lifetime of panels that covered the entire project operation of 25 years, there would not be any replacement cost incurred. The apparent lower initial investment for lead acid batteries (31.4 % of total capital cost) contradicted the exorbitant replacement costs through project lifetime, as shown by the results that indicated that about 1,500 units of batteries would be required at a time. These lead acid storage bank would have to be replaced every ten years, hence the projected future payment of € 2.94 million that constituted 97.2 % of the entire system’s replacement cost.

In respect of the operation and maintenance cost (O&M), the batteries remain the most cost-intensive components with a total of € 1.19 million, representing 82.5 % of the system’s O&M. The remaining 17.5 % of O&M would be engaged to sustain PV panels conditions. Further, HOMER calculated salvage value, resulting in the residual economic value of batteries and system converters that lowered the total project cost by 11.1 %.

Overall, the storage system would be the costliest components, given that it took up 61.4 % (€ 4.4 million) of the project cost of € 7.17 million. PV panels that were expensive at the beginning ended up taking up only 37 % of the total cost and as expected, system converters representing 1.6 % of total cost, were the least financially taxing components.

**Table 12: Breakdown of PV/LAB components cost**

Component	Capital (€)	Replacement (€)	O&M (€)	Fuel (€)	Salvage (€)	Total (€)
Generic 1kWh Lead Acid	1,129,500.00	2,941,333.27	1,189,339.46	0.00	-860,744.12	4,399,428.61
Generic flat plate PV	2,397,381.88	0.00	252,439.21	0.00	0.00	2,649,821.09
System Converter	65,211.38	84,648.74	0.00	0.00	-33,576.13	116,283.99
System	3,592,093.26	3,025,982.01	1,441,778.66	0.00	-894,320.25	7,165,533.69

### Components overview

Apart from the cost breakdown, HOMER provided the details of PV panels and lead acid batteries (see Table 13). The autonomy hours of the battery bank were

35.9 hours, significantly higher than the length of night and twilight times of 12 hours, when solar irradiation is virtually nonexistent [TIMn.d.]. This number is good, as when there is an issue with the PV panels that cannot be resolved quickly, the village electricity needs would still be fulfilled. The most striking figures from lead acid batteries are the losses that amounted to 67,434 kWh per year, the equivalent of 4.5 % of annual panel production. The losses would rise up to 1,685,850 kWh for the project lifetime. The losses emanated from the batteries heat generation and the substantial decrease in capacity caused by increasing discharge rates, which characterized lead acid batteries in general [LITn.d.-a].

**Table 13: Breakdown of PV/LAB components performance**

<b>PVs</b>		
<b>Item</b>	<b>Value</b>	<b>Units</b>
Rated Capacity	799	kW
Mean Output	170	kW
Mean Output	4 077	kWh/d
Capacity Factor	21.3	%
Total Production	1 488 272	kWh/yr
PV Penetration	100	%
<b>Lead Acid Batteries</b>		
<b>Item</b>	<b>Value</b>	<b>Units</b>
Batteries	3 765	qty.
Autonomy	35.9	hr
Storage Wear Cost	0.419	€/kWh
Lifetime Throughput	3 012 000	kWh
Expected Life	9.97	yr
Losses	67 434	kWh/yr

#### 4.2.5 PV and Lithium-ion Battery system

The system depends on solar irradiation as the energy source, captivated by HOMER Pro’s Generic flat plate PV (see Figure 7). The energy is then stored in Generic 1 kWh Lithium-ion (Li-Ion) Battery. Afterwards, the DC is converted to AC with System Converters in order to distribute electricity to households, mosques and commercial centers. After choosing all components, HOMER calculated the results.

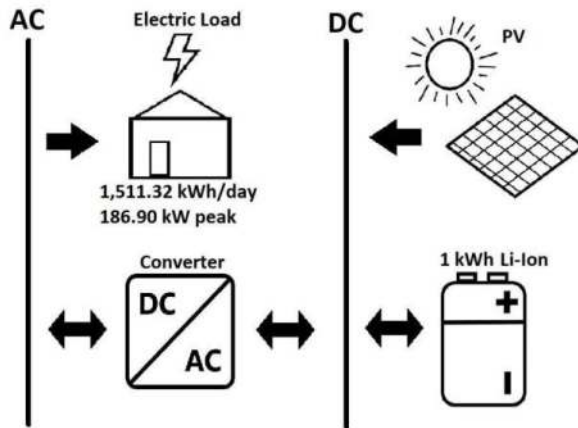


Figure 7: Scheme of PV/Li-ion system

#### HOMER Results

HOMER provided only one feasible solution for this combination of parameters. The solution requires an initial investment of € 4.04 million (see Table 14). Throughout the project lifetime, € 1.34 million would be spent on operating costs. By the end of the 25-year period, the net present cost of the project is estimated to reach € 5.76 million. By setting the price at € 0.33 per kWh, a simple payback period of the project would be achieved in around 8 years with a rate of return amounting to 22 %.

Table 14: Cost summary of PV/Li-ion system

Initial capital (€)	Operating costs (€)	NPC (€)	COE (€)	Rate of return (%)	Simple pay-back (yr)	Renewable Fraction (%)
4.04 M	1.34 M	5.76	0.33	22 %	8.1	100 %

#### Economic analysis

Taking into account the cost breakdown data from the Table 15, we concluded that 72.7 % of initial investment part account for PV panels purchase. However, due to the lifetime of panels that covered the entire project lifetime, there would

not be any replacement cost incurred. In comparison to the high upfront investment, required for the installation of the PV module, the initial capital for the battery storage system is relatively low, amounting to 25.5 % of the overall capital cost. On the contrary, the batteries' replacement costs were high and represented the bulk of the system's replacement cost, accounting for 93.5 %. This resulted from the battery lifetime of 15 years that covered more than half of project lifetime and led to one-off replacement. The system converter was an essential part of the given system that did not call for significant capital or replacement costs and did not cost anything in operation and maintenance.

Regarding O&M cost, the whole system would require around € 853,047. It is worth noting, that the battery storage represented a major part of it - 63.7 %, whereas PV panels constituted less, 36.3 %. Then, HOMER calculated salvage value of a designed system, which reduced total project costs by 9 %.

In overall, in spite of the high replacement and O&M costs, Li-Ion battery was the least cost-intensive component of the entire system, compared to flat plate PV. The storage accounted for 41.4 % of total project cost. Meanwhile, PV panels took up more than half costs or 56.4 %, while the remaining 2.2 % of total cost accrued to the system converter.

**Table 15: Breakdown of PV/Li-ion components cost**

Component	Capital (€)	Replacement (€)	O&M (€)	Fuel (€)	Salvage (€)	Total (€)
Generic 1kWh Li-Ion	1,032,600.00	1,340,383.86	543,652.91	0.00	-531,666.52	2,384,970.25
Generic flat plate PV	2,938,283.00	0.00	309,394.95	0.00	0.00	3,247,677.95
System Converter	71,985.85	93,442.45	0.00	0.00	-37,064.18	128,364.13
System	4,042,868.85	1,433,826.31	853,047.85	0.00	-568,730.70	5,761,012.32

### **HOMER Components**

In addition to the cost calculation, HOMER provided detailed information regarding system components, such as solar panels and batteries (see Table 16). The autonomy working time of the Li-Ion battery was 21.9 hours, which would be sufficient for meeting the village needs, in case of any problems with the PVs. Battery losses, which were equal to 29,583 kWh/year, accounted for 1.6 % of the total annual energy generation.

**Table 16: Breakdown of PV/Li-ion system components performance**

<b>PVs</b>		
<b>Item</b>	<b>Value</b>	<b>Units</b>
Rated Capacity	979	kW
Mean Output	208	kW
Mean Output	4,997	kWh/d
Capacity Factor	21.3	%
Total Production	1,824,058	kWh/yr
PV Penetration	100	%
<b>Lithium-Ion Batteries</b>		
<b>Item</b>	<b>Value</b>	<b>Units</b>
Batteries	1,721	qty.
Autonomy	21.9	hr
Storage Wear Cost	0.211	€/kWh
Lifetime Throughput	4,214,852	kWh
Expected Life	15	yr
Losses	29,583	kWh/yr

#### 4.2.6 PV-Diesel hybrid and lead acid batteries

This scenario investigates a hybrid energy system combining the following components: PV module, diesel generator, lead-acid battery storage system and system converter. In Figure 8 the schematic diagram of the energy system in question is shown. The PV system comprises a HOMER Pro’s 1 kW Generic flat plate PVs. The generated energy is stored in Generic 1 kWh lead acid batteries attached in strings. To supplement the energy generation in times when the required electrical load is not met by the PV module or by the battery, an Autosize Genset is added to the off-grid system. Subsequently, a system converter maintains the flow of energy between the AC electrical load and DC components of the hybrid energy system. After choosing all components, HOMER Pro again calculated the results.



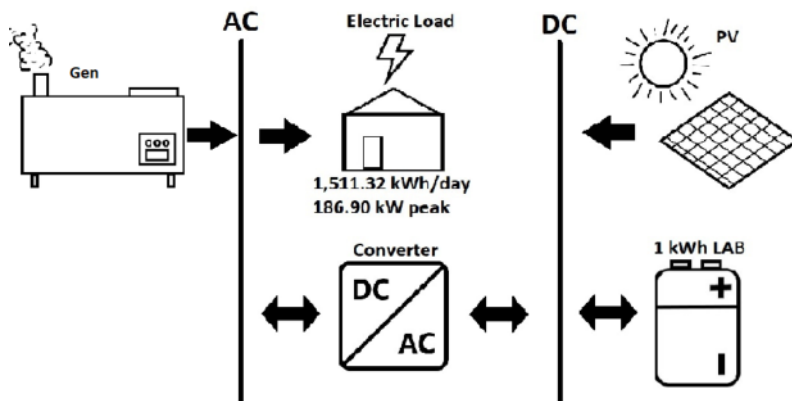


Figure 8: Scheme of PV/Li-ion system.

### HOMER simulation results

For the given parameters, the simulation analysis provided five different energy systems, with varying sets of components. Some of the solutions excluded one energy source or the other, making them non-hybrid systems. We chose the optimal one, as suggested by the software, where 59.8 % of the energy delivered to the load is generated by the PV module. Table 17 illustrates the overall cost parameters of the optimal energy system. At a price for one liter of diesel fuel set at € 0.48, the system would require a capital investment of € 1.19 million. Throughout the project’s life cycle, € 2.59 million would be spent on operating cost. In total, the net present cost associated with the entire project’s life-cycle would reach € 4.32 million. Given that, setting the price of a kWh of consumed electricity at € 0.25, the project is estimated to have a rate of return of 10.7 % and would achieve a payback on the investment within a decade.

Table 17: Cost summary of PV-Diesel/LAB system

Initial capital (€)	Operating costs (€)	NPC (€)	COE (€)	Rate of return (%)	Simple pay-back (yr)	Renewable Fraction (%)
1.19 M	2.59 M	4.32 M	0.25	10.7 %	9.3	59.8 %

### Economic analysis

Under the given parameters, using the cost breakdown data from Table 18, we calculated that the most significant part, or around 64.9 %, of the capital investment of the entire system would be absorbed by the capital cost of the PV module. However, due to the fact that the estimated lifetime of the PV module would over

the entire project life cycle of 25 years, there would be no replacement cost incurred. Furthermore, the solar panels would account for only 9.2 % of the total O&M cost.

As to the diesel generator, it accounts for around 9.3 % of the project’s capital cost. However, over 43 % of the total cost of the hybrid system for replacement, operation and maintenance would be spent on the genset. Furthermore, throughout the life cycle of the off-grid system (25 years), more than € 1 million would be allocated to the generator for diesel fuel.

In terms of capital cost, the lead acid storage system was the second most expensive component, accounting for about 22.6 % of the total capital investment. The relatively short expected life of the lead-acid batteries, estimated at slightly less than 7 years, explains the major expenditure that would be required for replacement. In addition to that, the battery storage would account for more than the half, or 51.9 %, of the total O&M cost. As in the other scenarios, the smallest fraction of funds would be allocated toward the system converter. It would account for just 3.2 % of the total capital cost. In regard to the overall operating cost, less than 1 % would be required to be spent on this component.

**Table 18: Breakdown of PV-Diesel/LAB system components cost**

Component	Capital (€)	Replacement (€)	O&M (€)	Fuel (€)	Salvage (€)	Total (€)
Autosize Genset	110,000.00	576,899.40	515,178.26	1,072,397.12	-149,804.74	2,124,670.03
Lead Acid Batteries	269,100.00	1,033,014.50	283,356.57	0.00	-167,055.93	1,418,415.13
Generic flat plate PV	771,798.90	0.00	81,268.78	0.00	0.00	853,067.68
System Converter	37,661.99	48,887.78	0.00	0.00	-19,391.46	67,158.31
System	1,188,560.89	1,658,801.67	879,803.61	1,072,397.12	-336,252.13	4,463,311.15

### Energy output from the hybrid system

The breakdown of the electricity generated by the hybrid energy system is presented in Table 19. The figures show that the sum total of electricity generated (706,907 kWh/year) met the required electricity load (551,638 kWh/year) with a combination of 67.8 % PV (479,125 kWh/year) and 32.2 % by diesel generator (227,782 kWh/year) with excess electricity of 155,269 kWh/year. The excess electricity could be used to cover potential energy losses and inefficiencies and to take care of any unexpected electrical load and thus guarantee regular energy supply.

**Table 19: Breakdown of PV-Diesel/LAB system electricity generation**

Production	kWh/yr	%
Generic flat plate PV	479,125	67.8
Autosize Genset	227,782	32.2
Total	706,907	100

### Components overview

The entire PV module of the system was comprised of 257 PV panels with a capacity of 1 kW each (see Table 20). The panels would generate a mean output of 1,313 kWh on a daily basis. In order to fulfil the total electricity generation demand, a diesel generator would be running for 6 to 7 hours per day, thus producing around 624 kWh of energy per day.

**Table 20: Breakdown of PV-Diesel/LAB system components performance**

PVs		
Item	Value	Units
Rated Capacity	257	kW
Mean Output	54.7	kW
Mean Output	1,313	kWh/d
Capacity Factor	21.3	%
Total Production	479,125	kWh/yr
PV Penetration	84.6	%
Genset		
Item	Value	Units
Hours of Operation	2,471	hrs/yr
Number of Starts	629	starts/yr
Operational Life	6.07	yr
Electrical Production	227,782	kWh/yr
Mean Electrical Output	92.2	kW

**(Continuation of Table 20)**

Minimum Electrical Output	55	kW
Maximum Electrical Output	192	kW
Total fuel consumed	70,725	L
Avg fuel per day	194	L/day
Avg fuel per hour	8.07	L/hour
<b>Lead acid battery bank</b>		
<b>Item</b>	<b>Value</b>	<b>Units</b>
Batteries	897	qty.
Autonomy	8.33	hr
Storage Wear Cost	0.419	€/kWh
Lifetime Throughput	717,600	kWh
Expected Life	6.95	yr
Losses	23,072	kWh/yr

On average, the total estimated fuel consumption per day would exceed 193 liters, resulting in annual fuel demand of 70,725 liters. Electricity generated would be stored in more than 250 lead acid batteries attached in strings. The genset and the battery storage system would need to be fully replaced every 15 and 7 years, respectively. Annually, the hybrid would suffer energy losses exceeding 23,000 kWh, or roughly above 3.3 % of the total energy production.

### **Emissions**

Accounting for more than one-third of the energy generated, annually the diesel generator is estimated to emit 181,131 kg of CO<sub>2</sub> (see Table 21). By the end of the project, the amount of CO<sub>2</sub> would exceed 4.5 million kg. Among the other emissions, the compound with the highest reported GWP is the nitrogen oxides. Having an impact between 265 and 298 times bigger than the CO<sub>2</sub>, the NO<sub>x</sub> gases, emitted on a yearly basis, would have the equivalent of around 320,000 kg of CO<sub>2</sub>, growing to nearly 8 million kg of CO<sub>2</sub> by the end of the 25-year period [EPA2016]. The compounds with direct negative effect on human health are the particulate matter. The exhaust gases of the genset are estimated to result in more than 7 kg of PM each year.

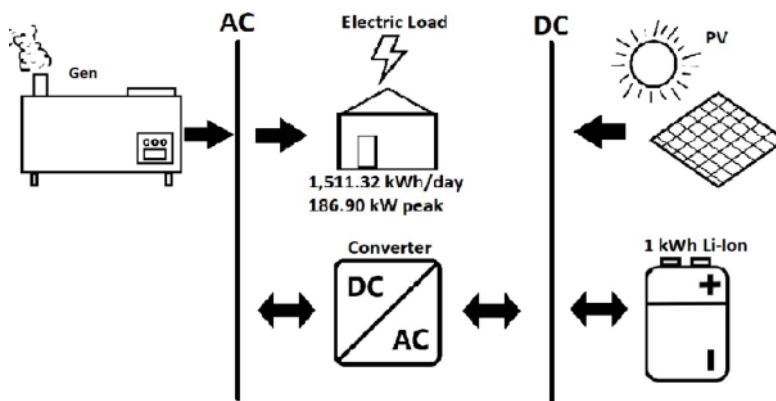
**Table 21: Breakdown of PV-Diesel/LAB system emissions**

GHG	Value	Units
Carbon Dioxide	181,131	kg/yr
Carbon Monoxide	1,167	kg/yr
Unburned Hydrocarbons	50.9	kg/yr
Particulate Matter	7.07	kg/yr
Sulfur Dioxide	453	kg/yr
Nitrogen Oxides	1,096	kg/yr

#### 4.2.7 PV-Diesel hybrid with Lithium Ion batteries

##### System description

The system relies partly on solar irradiation and conventional diesel-fueled generators as the energy sources (see Figure 9). The solar panels were HOMER’s 1 kW Generic flat plate PV. The energy is then stored in Generic 1 kWh Li-ion batteries. Subsequently, the DC is converted to AC with System Converters, to be distributed to households and commercial centers. After choosing all components, HOMER calculated the results.



**Figure 9: Scheme of PV-Diesel/Li-ion system**

##### HOMER simulation results

HOMER came up with 5 feasible solutions for this combination of components, with varying sets of components. Some of the solutions excluded one energy source or the other, making them non-hybrid systems. We chose the optimal one

as suggested by HOMER, with solar as the main energy source would account for 82.7 % of the entire energy inputs (see Table 22). This project would require an initial investment of € 1.82 million.

**Table 22: Cost summary of PV-Diesel/Li-ion system**

Initial capital (€)	Operating costs (€)	NPC (€)	COE (€)	Rate of return (%)	Simple pay-back (yr)	Renewable Fraction (%)
1.82 M	1.43 M	3.54 M	0.202	9.4 %	9.4	82.7 %

### Economic analysis

The purchase of PV panels would absorb the biggest fraction of initial investment of 53.6 % (see Table 23). However, due to the long lifetime of panels that covered the entire project operation of 25 years, there would not be any replacement cost incurred. The panels' O&M of € 102,646 would be the least costly compared to other components. The second major component i.e. diesel generator set, would represent merely 6.1 % of total capital cost. The O&M engaged for the generator would be however, almost twice as high compared to the purchasing price. The total genset O&M would account for 31 % of the system's O&M. The positive financial impact of modest capital cost would be further offset by the diesel fuel procurement amounting to € 0.46 million or 12.6 % of the whole project cost.

The capital cost for Li-ion batteries would be the second most expensive with € 693,000, representing 38.1 % of the total initial cost. Its replacement cost of € 898,357 would take up 82.2 % of the total replacement cost. Regarding its O&M, the storage system would cost € 364,857 or 53.9 % of the system's O&M. As in other renewable energy systems, the system converters would constitute the lowest financial burden, requiring only 2.2 % and 4.7 % of the total initial capital and replacement cost, respectively. This Li-ion storage bank would have to be replaced every 14.9 years and by the end of the project, they would have a salvage value of € 347,611, lowering the total cost by 8.6 %.

In the big picture of the project cost, the procurement, replacement and O&M costs of the Li-ion batteries would constitute the most cost-intensive component, with a total of € 1.61 million, or 44.4 % of project cost. PV panels and their O&M would therefore be the second most expensive with € 1.08 million, accounting for 29.8 % of project cost. The diesel generator followed PV panels with a total of € 864,850, most of which would be utilized to finance diesel fuel purchase. As in all other systems, system converters would be the least economically demanding, with a total portion of meagre 2 % of the entire project cost.

**Table 23: Breakdown of PV-Diesel/Li-ion system components cost**

Component	Capital (€)	Replacement (€)	O&M (€)	Fuel (€)	Salvage (€)	Total (€)
Autosize Genset	110,000.00	142,528.66	209,949.21	457,026.80	-54,654.66	864,850.01
Generic 1kWh Li-Ion	693,000.00	898,356.94	364,857.12	0.00	-347,610.82	1,608,603.24
Generic flat plate PV	974,811.53	0.00	102,645.58	0.00	0.00	1,077,457.11
System Converter	39,781.65	51,639.25	0.00	0.00	-20,482.83	70,938.07
System	1,817,593.19	1,092,524.85	677,451.92	457,026.80	-422,748.31	3,621,848.45

### Energy output of the hybrid system

The breakdown of the electricity generated by the hybrid energy system is presented in Table 24. As much as 86.1 % of the power would be generated from solar source and the remaining 13.9 % from diesel genset. This system reflects a high dependence on solar power and when a transition to a 100 % solar system is considered, there would not be a drastic change.

**Table 24: Breakdown of PV-Diesel/Li-ion system electricity generation**

Production	kWh/yr	%
Generic flat plate PV	605,154	86.1
Autosize Genset	98,077	13.9
Total	703,231	100

### Components overview

As each PV panel has a 1 kW capacity, it means that in this particular system, a total of 325 panels would be acquired (see Table 25). These panels generated a mean output of 1,658 kWh per day. In respect of the second power source, diesel genset, it would be operating for approximately 2 to 3 hours a day, generating as much as 269 kWh. The generator would require 82.6 liters of fuel each day, totaling to 30,141 liters per year. After 15 years of usage, the generator would need to be replaced. The electricity that has been generated by the two sources would then be stored in roughly 700 units of Li-ion batteries. Similar to lead acid batteries, Li-ion batteries also suffered energy losses. In a span of a year, there would be a loss of 24,426 kWh or 3.5 % of the hybrid power generation.

**Table 25: Breakdown of PV-Diesel/Li-ion system components performance**

<b>PVs</b>		
<b>Item</b>	<b>Value</b>	<b>Units</b>
Rated Capacity	325	kW
Mean Output	69.1	kW
Mean Output	1,658	kWh/d
Capacity Factor	21.3	%
Total Production	605,154	kWh/yr
PV Penetration	100.7	%
<b>Genset</b>		
<b>Item</b>	<b>Value</b>	<b>Units</b>
Hours of Operation	1,007	hrs/yr
Number of Starts	565	starts/yr
Operational Life	14.9	yr
Electrical Production	98,077	kWh/yr
Mean Electrical Output	97.4	kW
Minimum Electrical Output	55	kW
Maximum Electrical Output	192	kW
Total fuel consumed	30,141	L
Avg fuel per day	82.6	L/day
Avg fuel per hour	3.44	L/hour
<b>Li-ion battery bank</b>		
<b>Item</b>	<b>Value</b>	<b>Units</b>
Batteries	1,155	qty.
Autonomy	14.3	hr
Storage Wear Cost	0.211	€/kWh
Lifetime Throughput	3,465,000	kWh
Expected Life	14.9	yr
Losses	24 426	kWh/yr



**Emissions**

The combustion of 30,141 liters of diesel fuel evidently resulted in exhaust that are a mixture of GHGs (see Table 26). Despite of its relatively small proportion in this system, the genset produced 78,898 kg of CO<sub>2</sub> per year that might seem low when compared to other systems, would however amount to a total of 1,972,450 kg of CO<sub>2</sub> by the end of the project. The most impactful compound would be nitrogen oxides, as it has a GWP between 265 and 298 for a 100-year timescale and a lifetime of more than a century [EPA2016]. The annual emission of nitrogen oxides of 467 kg could be translated to 131,694 kg of CO<sub>2</sub> and at the project expiration, the number would swell up to 3,292,350 kg. Another emission that especially has an immediate repercussion on human health is particulate matter (PM), or commonly known as dust. Minuscule PM is particularly lethal as the human respiratory filtration system is not able to stop them from being inhaled and it has been named as a cause of a range of pulmonary diseases.

**Table 26: Breakdown of PV-Diesel/Li-ion system emissions**

GHG	Value	Units
Carbon Dioxide	78 898	kg/yr
Carbon Monoxide	497	kg/yr
Unburned Hydrocarbons	21.7	kg/yr
Particulate Matter	3.01	kg/yr
Sulfur Dioxide	193	kg/yr
Nitrogen Oxides	467	kg/yr

**4.3 AHP and scoring results**

After observing and analyzing the HOMER simulations, an analytical hierarchy process was conducted in order to make a comprehensive analysis of each designed system in terms of its sustainability performance. For this reason, economic, social and environmental criteria were chosen for the research (see Section 3.3). In total, we conducted four AHP, the first one was completed for the main criteria i.e. economic, social and environmental criteria. We performed the other 3 weightings for each of the main criteria’s subcriteria. All of these AHP processes and results will be discussed in this section.

### 4.3.1 Main criteria weighting

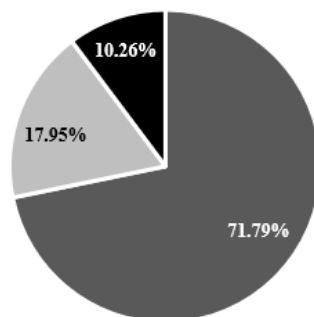
Upon team discussions, we agreed that economic criterion was inherently of the highest importance, as for the project to exist in the first place, a certain amount of capital investment was necessary (see Table 27). The running and livelihood of the project would depend on the availability of funds to finance the operating cost. On the one hand, the least capital and operating costs, would be reflected in a low price of energy, hence its affordability for the targeted population and their relatively low propensity to consume. On the other hand, they would create an incentive for investors to get involved in potential energy projects. In short, when there was no investment, there would be no project. For all those reasons, the pairwise comparison matrix gave the economic criterion a weight of 71.8 %.

**Table 27: Pairwise comparison results of the main criteria**

	Economic	Social	Environmental
Economic	1	4	7
Social	1/4	1	3
Environmental	1/7	1/3	1

Meanwhile, we considered social criterion as the second most influential aspect (see Figure 10). Society plays a significant role not only as consumers, but also as participants during project development, maintenance and operation. Therefore, project acceptance and support by inhabitants would be the basis for its future development. For all those reasons, the pairwise comparison matrix gave social criterion a weight of 18 %.

■ Economic criteria   ■ Social criteria   ■ Environmental criteria



**Figure 10: The criteria's weight**

In our discussions we came to a consensus that, environmental concerns should also be considered when selecting energy generation system, due to the impacts

they could have on the environment and health of the inhabitants. Thus, we positioned it as the least important criterion in our analysis with 10.3 % weight.

#### 4.3.2 Subcriteria weighting and resulting system performance

The economic criterion is constituted by four composite subcriteria i.e. capital cost, operating cost, cost of energy (COE) and payback period, which will be explained in the following sections (see Table 28).

**Table 28: Pairwise comparison of economic subcriteria**

	Capital cost	Operating cost	Cost of energy	Payback period
Capital cost	1	1/2	1	5
Operating cost	2	1	2	7
Cost of energy	1	1/2	1	5
Payback period	1/5	1/7	1/5	1

- We deemed the capital cost to be half as important as the operating cost. Meanwhile, capital cost and the cost of energy are of the same importance. Regarding the payback period, we considered that capital cost was 5 times more influential than it.
- From our perspective, operating cost holds twice more value than COE, due to its direct influence on the pricing of kWh of energy consumed. We decided that 7 would be an appropriate number to describe the relative significance of operating cost in comparison to the payback period.
- Based on our viewpoint, as an NGO aiming to provide cheap and affordable electricity prices for the population of Sokoto that are mostly situated at the bottom of the pyramid, we gave a 5:1 score ratio to the cost of energy in comparison to the payback period. Shorter payback period would mainly be an attractive factor for investors.

As a result of the pairwise comparison, we derived the following weighting (see Table 29):

**Table 29: Weights of economic subcriteria**

Subcriteria	Normalized weight
Capital cost	0.24
Operating cost	0.48
Cost of energy	0.24
Payback period	0.05

Furthermore, Table 30 indicates each system’s economic subcriteria performance.

**Table 30: Each system's economic subcriteria performance**

Off-grid System	Capital cost	Operating Cost	COE	Payback Period
PV-LAB	€ 3.59 M	€ 2.84	€ 0.37	9.1
PV-Li-ion	€ 4.04 M	€ 1.34 M	€ 0.33	8.1
Diesel-only	€ 110 000	€ 5.48 M	€ 0.39	n/a
PV-Diesel-LAB	€ 1.19 M	€ 2.59 M	€ 0.25	9.3
PV-Diesel-Li-ion	€ 1.82 M	€ 1.43 M	€ 0.20	9.4

### Scoring of the five systems’ economic performance

The next step involved scoring of each system on the basis of a scoring scale. Then, the multiplication of the scores with the respective weight of subcriteria was done, resulting in weighted scores. Given that there are four economic subcriteria, we have four scoring scales for each of them (see Appendix of this contribution).

### Weighted results

#### Diesel

The Diesel system is the most widely used technology. It has a low capital cost, therefore receiving a score of 10 points, but rather high operating costs compared to the other systems, hence a score of 0 points (see Table 31). The COE (per kWh) is also more expensive, due to high volume of diesel fuel consumption,

thus receives the score 0 points too. The payback period was not provided by HOMER, for this reason it receives an average score of 5 points.

**Table 31: Diesel system economic subcriteria scores and weighted results**

Subcriteria	Normalized Weight	Score (0-10)	Results
Capital cost	0.24	10	2.28
Operating cost	0.48	0	0
Cost of energy	0.24	0	0
Payback period	0.05	5	0.24
Total Score			2.62

**PV and lead acid batteries**

PV/LAB system’s performance in terms of the four economic subcriteria can be taken from Table 30 and the scores, weight and weighted scores are presented in Table 31. It has very low scores for capital cost, COE and payback period. However, it has a moderate score in operating cost, a subcriterion that has the most decisive weight. Overall, PV/LAB collects a total point of 3.43 in economic performance parameter.

**Table 32: PV/LAB system economic subcriteria scores and weighted results**

Subcriteria	Normalized Weight	Score (0-10)	Results
Capital cost	0.24	1	0.24
Operating cost	0.48	6	2.86
Cost of energy	0.24	1	0.24
Payback period	0.05	2	0.10
Total Score			3.43

**PV and Li-ion batteries**

Table 33 illustrates economic performance of PV/Li-Ion system in respect of the chosen subcriteria. Due to the fact that this technology requires the highest investments among others, it gets the lowest score in terms of capital costs. However, in regard to operating cost and payback period, PV/Li-Ion achieves great

performance and therefore gets the highest score. Additionally, the technology demonstrates moderate result for cost of energy parameter. Overall, PV/Li-Ion gathers 5.95 points for economic criterion.

**Table 33: PV/Li-ion Diesel economic subcriteria scores and weighted results**

Subcriteria	Normalized Weight	Score (0-10)	Results
Capital cost	0.24	0	0
Operating cost	0.48	10	4.76
Cost of energy	0.24	3	0.71
Payback period	0.05	10	0.48
Total Score			5.95

### Hybrid PV-Diesel with lead acid batteries

Table 34 provides an overview of the economic parameters of the PV-Diesel energy hybrid system with lead acid storage and their evaluation in accordance to the AHP model. The relatively low investment costs required at the initial phase of the project, brings the system a good score for the subcriterion of capital cost. Moreover, due to the moderate expenses associated with the operating costs, the system scores also quite well in this subcriterion. The above-average performance of the system in the previously mentioned criterion, allows maintaining relatively low price levels, for which it is graded with another 7 points. At the other extreme, the system scores poorly in the payback period criterion. Overall, the PV-Diesel/LAB receives a good total result of 6.71 points.

**Table 34: PV-Diesel/LAB system economic subcriteria scores and weighted results**

Subcriteria	Normalized Weight	Score (0-10)	Results
Capital cost	0.24	7	1.67
Operating cost	0.48	7	3.33
Cost of energy	0.24	7	1.67
Payback period	0.05	1	0.05
Total Score			6.71

**Hybrid PV-Diesel with Li-ion batteries**

Table 35 illustrates how the PV-Diesel energy hybrid system with Li-ion battery storage performs, in terms of finance and demonstrates the weighted results of the assessed economic subcriteria. The required initial capital of nearly € 2 million, justifies the moderate grade of the system for the criterion of capital cost. At the same time, the system scores excellently in the criterion with the highest priority i.e. operating cost. Another excellent grade is given due to the low COE. In the criterion of payback period, the PV-Diesel/Li-ion system finds itself at the other end of the scale, receiving the worst possible grade of 0 points. In aggregate, the hybrid system gathers an excellent result of 8.33 points.

**Table 35: PV-Diesel/Li-ion system economic subcriteria scores and weighted results**

Subcriteria	Normalized Weight	Score (0-10)	Results
Capital cost	0.24	5	1.19
Operating cost	0.48	10	4.76
Cost of energy	0.24	10	2.38
Payback period	0.05	0	0
Total Score			8.33

4.3.3 Social criterion

The social criterion has three composite subcriteria i.e. social acceptability, employment and life quality (see Table 36), which will be explained in the following paragraphs.

**Table 36: Pairwise comparison of social subcriteria**

	Social Acceptability	Employment	Life Quality
Social Acceptability	1	4	1/3
Employment	1/4	1	1/7
Life Quality	3	7	1

- We assume that life quality is the most significant and influential aspect that has to be taken into account in this project. It includes general well-being; the

degree of society satisfaction as to how comfortable living conditions are. This is a far-reaching criterion, that covers almost all aspects of human life. For this reason, life quality is deemed to be 7 times more important than employment opportunities and performs 3 times more than social acceptability.

- In regard to employment, we decided that social acceptability is 4 times more influential than that. All analyzed systems create a limited amount of employment opportunities, depending on battery and technology requirements, whereas initial project success is highly dependent on moderately acceptance by local population in order to avoid abandonment, sabotage and other problems with its maintenance.

As a result of the pairwise comparison, we reached the following weighting (see Table 37):

**Table 37: Weight of social subcriteria**

Subcriteria	Normalized weight
Social Acceptability	0.24
Employment	0.06
Life Quality	0.71

We scored all system's social performance based on the gathered qualitative data. In Table 38, we analyzed the social performance of all main components i.e. PV module, diesel generator, lead acid batteries and Li-ion batteries.

### **Scoring of the five systems' social performance**

Due to the necessity to obtain the relative social performance score of each energy generation system, despite of its qualitative nature, we created a grading scale of 0 to 10 and then evaluate every designed system according to this scale. The last step involved the multiplication of the scores with the respective weight of subcriteria, resulting in weighted scores.



**Table 38: Assessment of main components' social subcriteria performance**

Component	Social Acceptability	Employment	Life Quality
PV module	In a community where the most realistic means to have electricity is diesel generator, solar panels might be perceived as something very foreign hence its low likelihood to be socially accepted.	Concerning the PV module, there would not be any need for replacement of the panels, since their lifespan exceeds the 25-year lifetime of the project. The maintenance of the panels would not create a substantial amount of stable job opportunities for the work-	The installation and operation of the PV module would not obstruct the quality of life of the village population in any way.
Diesel generator	Because of the lack of alternatives, for a long time, diesel generators have been the most popular source of electricity in the rural areas of Northern Nigeria. This makes them highly accepted by the society.	Due to fuel requirements and regular need for repair and maintenance, the diesel generator has the potential to create stable employment opportunities for the locals.	Using diesel generators for producing electricity creates significant health threats and it contributes to air pollution. Thus, generators have deteriorating effect on the village life quality.
Lead acid batteries	The fact that since decades, lead acid batteries have been the most common energy storage technology makes them more socially acceptable.	Lead acid batteries require frequent maintenance services and replacement every 7 years. Therefore, a decent amount of jobs might be created.	Because of the nature of the technology, any deterioration or damage of the battery system, might lead to leakage of hazardous substances.
Lithium-ion batteries	The relatively new technology behind the Li-ion batteries has a lower probability to be accepted by the community.	Because of their extended cycle of life, Li-ion batteries usually do not show signs of wear before the 15th year. Furthermore, given the little maintenance requirements, they would not generate substantial la-	Li-ion represents the much cleaner technology and requires much less space to be installed. Therefore, its contribution to the population's quality of life is better compared to the lead acid batteries,

## Weighted results

### Diesel

Table 39 illustrates performance of diesel system in terms of social subcriteria. As indicated earlier, diesel genset is a widespread technology and as a consequence gets an excellent score for social acceptability. There would be a high number of employment opportunities created in relation to the operation of this system hence, a very good score of 9 points. However, life quality would be adversely affected, mostly in the area of health, and its effects on the other aspects of wellbeing, for which it was given a poor score of 1 points.

**Table 39: Diesel system social subcriteria scores and weighted results**

Subcriteria	Normalized Weight	Score (0-10)	Results
Social Acceptability	0.24	10	2.35
Employment	0.06	9	0.53
Life Quality	0.71	1	0.71
Total Score			<b>3.59</b>

### **PV and lead acid batteries**

Table 40 illustrates the performance of the PV/LAB system in terms of social subcriteria. The combination of contrasting social acceptance of PV panels and lead acid batteries resulted in a score of 5 points. We gave 3 points to the employment aspect due to the lack of stable jobs generated from the installation of this system. As for the system’s impacts on life quality, it was considered as good, as PV panels are a clean power source. As a result, it has a weighted total score of 6.29 points.

**Table 40: PV/LAB system social subcriteria scores and weighted results**

Subcriteria	Normalized Weight	Score (0-10)	Results
Social Acceptability	0.24	5	1.18
Employment	0.06	3	0.18
Life Quality	0.71	7	4.94
Total Score			<b>6.29</b>

### **PV and Li-ion batteries**

Table 41 illustrates score allocation and final performance of PV/Li-Ion system in terms of social subcriteria. Due to the fact that PV panels are not a widespread technology solution for inhabitants in rural Nigeria, this system would not be highly accepted. Moreover, local people use in most cases diesel generators, for this reason PV/Li-Ion technology represents new and unfamiliar resource for en-

ergy generation. Regarding the employment criterion, as there is no need to replace PV panels throughout its lifetime and only one-off replacement of battery storage would be necessary, the project would not create a significant number of job opportunities. Taking into account the abovementioned, PV/Li-Ion technology gets moderate points for social acceptance and poor score for employment parameters. As for life quality criterion, PV would contribute to more stable and emission-free energy supply for the entire village. Moreover, Li-Ion batteries are highly resilient to any damages and excessive discharging in comparison to lead acid ones. This allows us to give very good score for this type of technology. Overall, PV/Li-Ion achieves 6.71 points in respect of social performance.

**Table 41: PV/Li-ion system social subcriteria scores and weighted results**

Subcriteria	Normalized Weight	Score (0-10)	Results
Social Acceptability	0.24	4	0.94
Employment	0.06	2	0.12
Life Quality	0.71	8	5.65
Total Score			6.71

**Hybrid PV-Diesel with lead acid batteries**

Table 42 gives an overview of the performance and weighted results of the PV-Diesel/LAB energy hybrid system, in terms of the social subcriteria. A score of 2 points, for the first subcriterion, is given because combining a PV module, a diesel generator and a battery storage within one system could possibly represent a difficult learning curve for the locals, hence the low social acceptability. At the same time, for the reason that the genset and the lead-acid batteries might create stable employment opportunities for the community, the system receives a good score of 6 points for employment. Finally, due to the risk that some of the components pose a threat to human health, the system had a below-average score of 3 points within the subcriterion of life quality. Overall, the PV-Diesel/LAB hybrid receives a poor score of 2.94 points.

**Table 42: Diesel/LAB system social subcriteria scores and weighted results**

Sub-criteria	Normalized Weight	Score (0-10)	Results
Social Acceptability	0.24	2	0.47
Employment	0.06	6	0.35
Life Quality	0.71	3	2.12
Total Score			2.94

### Hybrid PV-Diesel with Li-Ion batteries

Table 43 shows how the PV-Diesel/Li-ion energy hybrid system performs and scores in accordance to the social subcriteria. The overall complexity of the system and the relatively unpopular energy storage technology used, posing a risk of social rejection, justify the extremely low score of only 1 point, given for the social acceptability subcriterion. Furthermore, the low need of regular maintenance and batteries replacement, brings the system a score of only 4 points in employment aspect. Another 4 points were given to the system in life quality, mainly because of the presence of the diesel generator. In aggregate, the PV-Diesel/Li-ion hybrid earns a total weighted score of 3.29 points.

**Table 43: PV-Diesel/Li-ion system social subcriteria scores and weighted results**

Sub-criteria	Normalized Weight	Score (0-10)	Results
Social Acceptability	0.24	1	0.24
Employment	0.06	4	0.24
Life Quality	0.71	4	2.82
Total Score			3.29

#### 4.3.4 Environmental criteria

For a comprehensive analysis, the environmental criterion was decomposed into three subcriteria i.e. emissions of CO<sub>2</sub> and CO as the main greenhouse gases

(GHG), end-of-life impacts and then impacts on land (see Table 44). Notwithstanding the significance of environmental criterion, when it was put into pairwise comparisons with the other two criteria, it ended up with a marginal weight of 10.3 %. This shows how less it is of importance in relation to the two other criteria, when selecting a suitable technology for the supply of energy to our target population. The following section discusses how the pairwise comparison, weighting and scoring was done among the subcriteria and then the technologies.

**Table 44: Pairwise comparison of environmental subcriteria**

	<b>GHG Emissions</b>	<b>End-of-life</b>	<b>Land use</b>
GHG Emissions	1	2	6
End-of-life	½	1	4
Land use	1/6	1/4	1

Based on the HOMER analysis and the literature reviewed we arrived at the decision that GHG emissions are of slightly higher importance than end-of-life impacts, therefore, a relative score of 2 points is assigned in favor of GHG emissions. Also, between GHG emissions and land, a scale of 6 points is assigned to GHG emissions, which signifies it is clearly more important than land. Lastly, the pairwise comparison between end-of-life impacts and impacts on land shows that the former is moderately more important than the latter and was therefore scaled at 4 points. This decision was reached after an in-depth literature analysis concerning the various components of the technologies and the impacts these technologies could have on land use in the long run. The computed normalized values are displayed in Table 45 below.

**Table 45: Weights of environmental subcriteria**

<b>Subcriteria</b>	<b>Normalized weight</b>
GHG Emissions	0.6
End-of-life	0.3
Land use	0.1

We scored all systems’ environmental performances, based on the collected quantitative data. In Table 46, we analyzed the performance of each component.

**Table 46: Assessment of main components' environmental subcriteria performance**

Component	GHG Emissions	End-of-life	Land use
PV module	The utilization of PV modules does not result in any GHG emissions.	A study conducted by Corcelli, Ripa and Ulgiati [2017] breaks down the recyclability of a panel's composite elements. 95 % and 97 % of the silicon scraps and aluminum, respectively, can be recycled. Further, glass, the heaviest part of a panel has a recyclability rate of 91 %. Lastly, 90 % of the copper can also be recycled. A published book by IEA-PVPS and IRENA [2017] found that the major components of crystalline panels i.e. glass, aluminum, and copper, can be recovered up to 85 % of cumulative yields through mechanical processes. Therefore, we considered 90 % as a representative number for panels recyclability rate.	Homer PRO does not provide any specifications about the components. However, a unit of 1 kW solar panel occupies 8m <sup>2</sup> [THE.n.d.].
Diesel generator	The GHGs emissions produced by diesel generators are obtained from Homer PRO simulation data. We decided to take into account CO <sub>2</sub> and CO that has a GWP of 1.9. The total of two gases emissions is expressed in kg of CO <sub>2</sub> .	The end-of-life value of a genset varies from one manufacturer to another. Benton, Zhang and Wang [2017] came up with four scenarios of a genset EoL, where scenario 1 is the best case and scenario 4 is the worst. Scenario 2 and 3 have the same recycling configuration, which was acquired from a USEPA report. We chose scenario 2 as our genset EoL value, with 34 % recycling rate and 32 % remanufacturing rate, totaling to 66 %.	A 100 kW diesel genset is compact, its size is comparable to that of a pickup truck.
Lead-acid batteries	The utilization of lead-acid batteries does not result in any GHG emissions.	As regards the lead acid batteries, at least 95 % of the battery can go to recycling process [ALB2012]. It is worth stating that lead acid batteries are the world's most recycled product [UNE2011].	Lead-acid battery's volume is 5.6 times higher than that of Li-ion. Therefore, instead of calculating the actual surface area, the land use of batteries will be expressed in Li-ion units.
Lithium-ion batteries	The utilization of Li-ion batteries does not result in any GHG emissions.	According to a study conducted by Georgi-Maschler [2012], the recycling rate is around 65 %.	

**Scoring of the five systems’ environmental performance.**

To determine the relative performance of the five generation systems, we created a scale of 0-10 to score their performance following the same process as the two other criteria (see Appendix at the end of this contribution). As a result, we have the weighted score of each assessed system.

**Weighted results**

**Diesel**

Table 47 shows the performance of diesel generation system within the environmental criterion. It performed poorly for both GHG and-end-of-life subcriteria with a 0 point score for each. The poor performance is due to the system dependence on fossil fuels to generate energy and the consequent high GHG emissions of CO<sub>2</sub> and CO, and a less satisfactory recycling and remanufacturing rate of 66 %. The systems less use of land space results in a excellent score of 10 points.

**Table 47: Diesel system environmental subcriteria scores and weighted results**

Subcriteria	Normalized Weight	Score (0-10)	Results
GHG Emissions	0.6	0	0
End-of-life	0.3	0	0
Land use	0.1	10	1
Total Score			1

**PV with lead acid batteries**

Table 48 illustrates the performance of the PV/LAB generation system in terms of the environmental subcriteria. The GHG emissions during the operational life of the system would be 0 points, as the use of PV panels and batteries would not create any air pollution, hence it receives an excellent score of 10 points. Both PV modules and lead acid batteries have high recyclability and reusability rates of 90 % and 95 %, respectively. Therefore, PV/LAB system was given again a maximum score of 10 points. PV/LAB system requires around 2,663 panels and 1,500 battery units at once. As previously explained in Table 46, LAB takes up 5.6 times more space than Li-ion. Therefore, expressed in Li-ion units, the lead acid storage would occupy a space equivalent to 8,400 lithium-ion batteries. The determining component is the PV panels as one of them takes 8 m<sup>2</sup> of surface area. Furthermore, lead acid batteries could pose a danger to human health, biodiversity and land use. Improper handling might result in leakages, contaminating soil and environment. For this reason, PV/LAB is considered to be performing

badly, receiving a score of 1 point. Overall, the system receives a total score of 9.1 points.

**Table 48: PV/LAB system environmental subcriteria scores and weighted results**

Subcriteria	Normalized Weight	Score (0-10)	Results
GHG emissions	0.6	10	6
End -of- Life	0.3	10	3
Land use	0.1	1	0.1
Total Score			9.1

### **PV and Li-ion batteries**

PV/Li-Ion system performance in terms of environmental subcriteria is shown in the Table 49. This technology has the lowest score for land use parameter because of high number of solar panels needed. It leads to significant land occupation and consequently its unavailability for agricultural needs. Regarding the end-of-life subcriterion, although Li-Ion batteries have a longer lifespan than lead acid, however, it has a lower recycling rate of 81 % and an average score is given. As well as PV/Lead Acid system, PV/Li-Ion has no emissions during the whole project lifetime, which therefore leads to great performance in GHG emissions. Hence, the technology demonstrates very high result of 7.5 points in environmental parameters.

**Table 49: PV/Li-ion system environmental subcriteria scores and weighted results**

Subcriteria	Normalized Weight	Score (0-10)	Results
GHG Emissions	0.6	10	6
End-of-life	0.3	5	1.5
Land use	0.1	0	0
Total Score			7.5

### **Hybrid PV-Diesel with lead acid batteries**

Table 50 illustrates the impact that a PV-Diesel energy hybrid system with lead acid batteries storage has on the environment, and the weighted results of the assessed environmental subcriteria. The PV module accounts for most of the



power generation but still a significant fraction of 40 % is produced by the diesel generator. Therefore, the hybrid scores 7 points in the GHG emissions criteria. At the same time, the high recyclability rate of all components gives the system a maximum score of 10 points in terms of end-of-life. Lastly, due to the high number of solar panels and battery strings required, the system scores average in the land use criterion. Overall, the PV-Diesel/LAB hybrid gathers a good total result of 7.7 points.

**Table 50: PV-Diesel/LAB system environmental subcriteria scores and weighted results**

Subcriteria	Normalized Weight	Score (0-10)	Results
GHG Emissions	0.6	7	4.2
End-of-life	0.3	10	3
Land use	0.1	5	0.5
Total Score			7.7

### **Hybrid PV-Diesel with Li-ion batteries**

Table 51 shows the environmental performance of the PV-Diesel energy hybrid system with Li-ion battery storage. On the one hand, the above-80 % fraction of energy generated by PV panels and high battery efficiency reduce the need for a diesel generator to a minimum, which explains why the system has an excellent score of 9 points in the GHG emissions subcriterion. On the other hand, due to the relatively low recycling rate of the Li-ion batteries, the hybrid system receives only 4 points. Again, due to the land size requirement to install the PV module and the battery storage, the system receives a below average score of 4 points. In total, the PV-Diesel/Li-ion hybrid system collects a good result of 7 points.

**Table 51: PV-Diesel/Li-ion system environmental subcriteria scores and weighted results**

Sub-criteria	Normalized Weight	Score (0-10)	Results
GHG Emissions	0.6	9	5.4
End-of-life	0.3	4	1.2
Land use	0.1	4	0.4
Total Score			7

The following web charts (Figure 11 until Figure 15) visualize the non-weighted 10 subcriteria scores of each system. The charts are useful for a quick glance on each system’s performance. For instance, diesel system shows very contrasting scores in operating cost and COE and capital cost and employment. PV/LAB showcases a mixture of few excellent, moderate and low scores. The best environmental score of PV/Li-ion is apparent by the grey area. PV-Diesel/LAB has considerable grey area, indicating its good overall performance. The high performance of PV-Diesel/Li-ion in economic parameters is well visualized. All of these remarks become apparent in the figures.

#### 4.3.5 System performance in main criteria

The last step of the AHP analysis is to compute the overall score for the five off-grid energy systems and compare them. The results are presented in Table 52. This evaluation shows that the PV-Diesel/Li-ion with total score of 7.29 points, is outperforming the other alternatives with a prominent distance. Although the PV-Diesel/Li-ion trails behind in the social and the environmental criteria, scoring 3.29 and 7 points respectively, it stands out with its excellent economic parameters, scoring 5.98 points in the criterion with the highest weight.

**Table 52: All systems’ weighted results of the main criteria**

Criteria	Diesel	PV/ LAB	PV/ Li-ion	PV-Diesel/ LAB	PV-Diesel/ Li-ion
Economic	1.88	2.46	4.27	4.82	5.98
Social	0.64	1.13	1.20	0.53	0.59
Environmental	0.10	0.93	0.77	0.79	0.72
<b>Overall result</b>	<b>2.63</b>	<b>4.52</b>	<b>6.25</b>	<b>6.14</b>	<b>7.29</b>

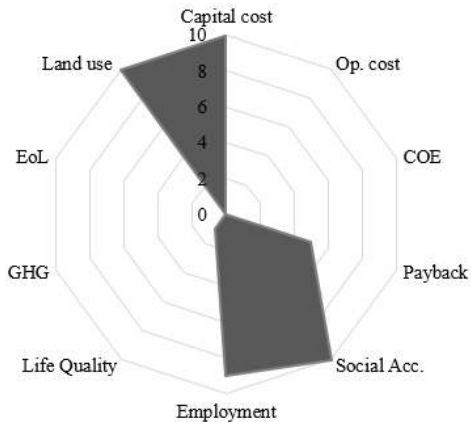


Figure 11: Diesel system comprehensive non-weighted performance

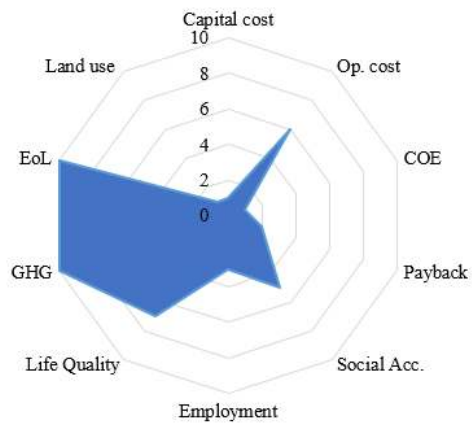


Figure 12: PV/LAB system comprehensive non-weighted performance

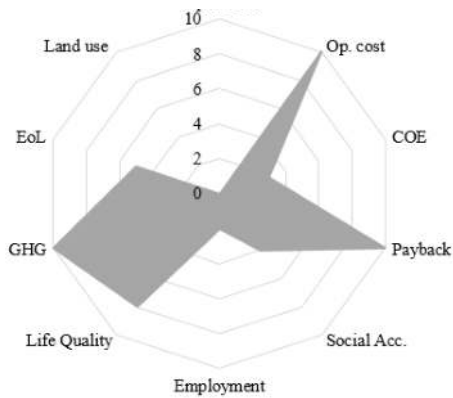


Figure 13: PV/Li-ion system comprehensive non-weighted performance

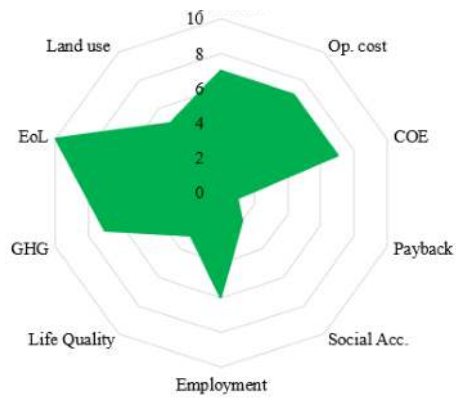


Figure 14: PV-Diesel/LAB system comprehensive non-weighted performance

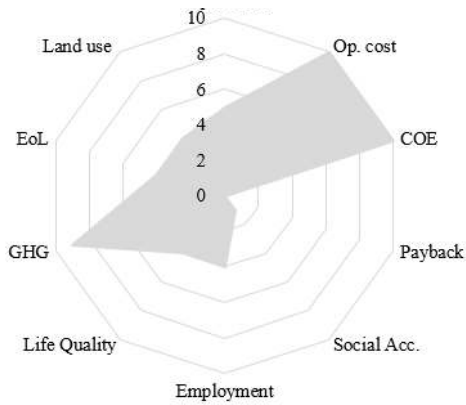


Figure 15: PV-Diesel/Li-ion system comprehensive non-weighted performance



## **5 Discussion**

### **5.1 Comparison of PV-Diesel/Li-ion with other systems**

The final results of the AHP analysis are visualized in a bar chart (Figure 16), where the bars represents the weighted scores of each off-grid system in regard to the three main criteria, as well as their overall score. This paragraphs will briefly describe how PV-Diesel/Li-ion, as the benchmark, compares to the other four alternatives.

#### **PV-Diesel/Li-ion vs. Diesel**

Compared to the most widespread way to generate electricity in Sokoto, the PV-Diesel/Li-ion outperforms a Diesel system by far, with a total score of 7.29 points compared to 2.63 points. The difference between the two solutions is most notable when it comes to the economic parameters, where the far better operating cost and cost of energy bring the PV-Diesel/Li-ion system a score of 5.98 points. In contrast, the high expenses associated to operating and maintaining the diesel system result in high energy prices for the end consumers and low score for the economic criterion. At the same time, representing the most popular source of electricity in the rural areas of Northern Nigeria, gives the diesel system a slight advantage when assessing the social criterion. Lastly, with renewable fraction of above 80 %, the PV-Diesel/Li-ion system is the legitimate winner when it comes to comparing the alternatives in environmental terms. The diesel-only system is outweighed by 0.72 to 0.1.

#### **PV-Diesel/Li-ion vs. PV/LAB**

When it comes to comparing the PV-Diesel/Li-ion system to the PV/LAB, it again heavily outrivals its competitor, with a total score of 7.29 points compared to 4.52 points. As to financial parameters, the PV-Diesel/Li-ion outperforms the other system in each of the economic subcriterion assessed, achieving a score more than double that of the PV/LAB (5.98 points compared to 2.46 points). When it comes to comparing the social and environmental performance of the two alternatives, the scores of PV/LAB are higher in both 1.13 points compared to 0.59 points and 0.93 points compared to 0.72 points respectively. However, due to the influence that the economic parameters have, this does not significantly impact the overall score.

#### **PV-Diesel/Li-ion vs. PV-Diesel/LAB**

The gap between the total scores narrows down when comparing the PV-Diesel/Li-ion to the other hybrid system. The only variable between the alternatives, which makes a difference, is the type of the storage system. At the end, the PV-

Diesel/Li-ion outweighs the other hybrid alternative with a score of 7.29 points compared to 6.14 points. Deploying lithium-ion batteries ensures lower operating expenses and cheaper price per kWh of energy for the end consumers. At the same time, the cleaner technology behind the lithium-ion storage system gives a slight advantage when it comes to life-quality and health safety for the locals, culminating in slightly better score in regard to the social criterion (0.59 points compared to 0.53 points). Lastly, due the higher recycling rate of the lead acid batteries, the PV-Diesel/LAB system gets a slight advantage in environmental terms, winning with 0.79 points compared to 0.72 points.

### PV-Diesel/Li-ion vs. PV/Li-ion

The alternative, with a total score closest to the one of the PV-Diesel/Li-ion, is the 100 % renewable system of PV module and lithium-ion battery storage. The PV/Li-ion system lags only with a single unit behind the winner, 6.25 points compared to 7.29. As in the case of the other 100 % renewable system, the PV/Li-ion outperforms the PV-Diesel/Li-ion in social and environmental terms, but fails to compete economically. Within the social criterion, the system achieves a score twice as high as the hybrid and the best among all other solutions - 1.20 points. In respect to the impact the two systems have on the environment, the PV/Li-ion scores slightly better - 0.77 points compared to 0.72 points. As to the financial parameters of the projects, the PV/Li-ion requires the highest capital cost, which bears the risk to repel any potential investments. Combined with the relatively high cost of energy, the PV/Li-ion system loses the economic competition with a score of 4.27 points compared to 5.98 points.

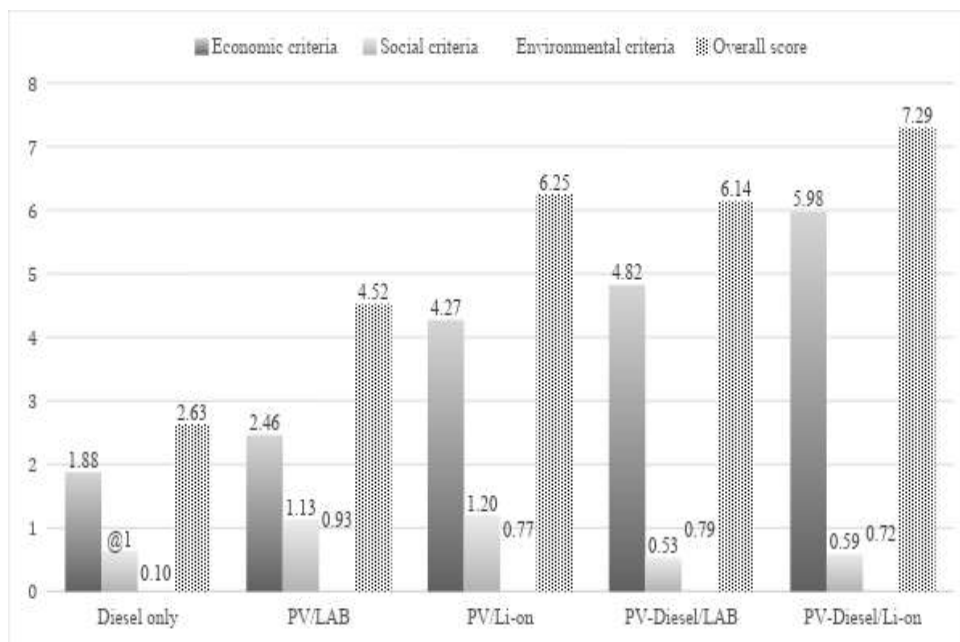


Figure 16: Weighted performance of 5 systems in all subcriteria

## **5.2 Other aspects of this electrification project**

### 5.2.1 Next steps

We do not provide any suggestions for the electrification project as there is a series of largely uncertain factors. The project lifetime is expected to be 25 years: How the future of renewable energy generation might unfold during these years is unclear today, as is the consumption pattern of a small village in Sokoto. Technological advancements are unpredictable and some of them are of considerable and irreversible impacts on the world, such as the normalization of smart phones and internet use. What is yet to come can be fundamentally unpredictable, as unforeseeable as the Black Swan events that have changed the course of human history.

In addition to the black box “future” we used a lot of assumptions in order to create the village, a process that entailed the extrapolation of data that was meant to statistically represent Nigeria as a country, to the village. We state that one of the weaknesses of creating a modeled village is the probability of it being substantially different from reality. Adding more assumptions about the future, on top of the ones we had already taken, would be an unwise course of action and it might lead to incorrect information.

The future gets more complex when we factor in the future unfolding of climate change, a question that is still highly debated. Therefore, we suggest an assessment of the project’s and village’s status and technological advances every five years, in order to better inform investors, so that they can make decisions regarding the project.

### 5.2.2 Training system

Since the project involves regular system maintenance, we assume that locals have to be properly trained for this purpose. Training sessions would be provided by qualified members of NGO in cooperation with partner organizations not only in the classrooms but also in the field with hands-on experience. Locals have to get knowledge regarding general construction of PV module, battery charge and replacement and diesel maintenance. Additionally, the locals must learn how to deal with emergency and extraordinary situations.

### 5.2.3 Prepaid system

Regarding the payment collection method, we chose prepaid system as the most appropriate solution to be installed in the remote village. The working principle is the households' access to electricity is enabled upon receiving the payment for it. Once there is no credit on the account, electricity is not distributed to the household. This type of electricity payment was acknowledged as the most effective one in Africa. Based on the statistics from Azuri technologies [n.d.], companies in Zimbabwe, South Africa, Kenya and South Sudan were able to increase its revenues and avoid additional costs by the use of prepaid system. Two scientists Jack and Smith [2016] state that prepaid system gives low income households more flexibility in terms of paying their bills. Due to the fact that income in rural areas is oftentimes irregular, the household can pay only when they have money and, consequently, avoid fines for non-payment. The advantages of adopting a prepaid system received another support from De Buck [2017], who enlists the following benefits:

- It assures control over the amount of consumed electricity
- There is no risk of under-charging or over-charging
- No need to move to put money into an account and
- SMS notification in regard to replenishment of balance

Instead of designing our own prepaid mechanism, we recommend IndiGo, an up-and-running prepaid system for the project. It is just one of many possible technologies, offered in a prepaid systems market, which meets Lighting Global Minimum Quality standards. IndiGo prepaid system consists of small box-shaped machine with numeric keypad and a few indicator lights. The system provides electricity after the user enters a validation code on the keyboard. This code can be obtained by sending scratch card number together with the serial number of IndiGo device to the central company office, via text message. The user will then receive a text message with validation code that the user must enter in IndiGo device. Above mentioned scratch cards can be bought either online or through Indigo representative office [AZUn.d.].

### 5.2.4 Financials

Analysis of firm-level data from the Nigeria World Bank Enterprise Survey shows that electricity supply is consistently the biggest constraint to doing business in Nigeria. [WOR2017b].

In a press release from April 2017, the World Bank stressed on the importance of the power sector for Nigeria's development and for restoring macroeconomic resilience and growth. The bank also reiterated the sector's characteristics of poor



service and lack of liquidity [WOR2017a]. Nigeria's tariffs have historically been too low to cover the basic operating costs of producing the country's electricity. Nigeria's Presidential Task Force on Power, set up in 2001 to drive the implementation of the power sector reforms noted that the revenues generated by very low electricity tariffs could not even cover the cost of producing and supplying power [INS2017].

A Marshall report by the Heinrich Böll Foundation and the Nigerian economic summit group [2017], states that off-grid solar PV systems are already cost competitive in Nigeria on a lifetime basis, costing an average of US\$ 0.20/kWh as opposed to diesel generators US\$ 0.30/kWh and gasoline over US\$ 0.60/kWh. Hence, our project which seeks to provide reliable electricity by means of a hybrid PV module and a diesel genset with lithium-ion batteries storage, for the unserved rural community in Sokoto state at a realistic price of € 0.35 would enhance rural Nigeria's chances of achieving the goal by 2030. Although, the current on-grid tariff is set at € 0.11 [KAD2018], the supply of electricity is very unreliable, and a majority of the population remains unserved.

The exploration of financing opportunities available for off-grid projects in Nigeria yielded promising results. The Nigerian Energy Support Programme (NESP) supports private sector with subsidies and regulatory approvals for the development of mini-grid and off-grid systems. The NESP is implementing projects for the period 2016 - 2018 at various locations in the country with financial support from the European Union and Germany under the so called Rural Electrification Fund (REF) and it is going to be disbursed by the Nigerian Rural Electrification Agency (REA). So far, it is the only government-led structured funding mechanism. The incentives are designated to be infrastructure based (incentives to reduce the installation costs) and not electricity-production based (incentives to reduce the consumption costs). The REF functions as a "challenge fund", i.e. interested parties are expected to submit applications in consecutive rounds of competition, whereby projects will be selected according to a transparent set of criteria [GIZ2015].

The World Bank has for long been interested in the power sector in Nigeria and has supported the country both technically and financially in the ongoing reforms in the sector. The bank has supported other countries in the West-Africa sub region with off-grid solutions. Ghana for instance has benefitted under the World Bank-funded Ghana Energy Development and Access Project (GEDAP) where the option of mini-grids is being explored. A pilot mini-grid project is being developed for four island communities situated in Lake Volta [WOR2016].

Also, USAID's Development Credit Authority is providing \$75 million in loan guarantees to fund the scaling up of off-grid energy investments in sub-Saharan

Africa. Already, the millennium challenge corporation is providing \$46 million for off-grid electrification in Benin. [SAL2015].

The United Nations Clean Development Mechanism (CDM), allows emission-reduction projects in developing countries to earn certified emission reduction (CER) credits, each equivalent to one ton of CO<sub>2</sub>. These CERs can be traded and sold and used by industrialized countries to a meet a part of their emission reduction targets under the Kyoto Protocol [UNI2018]. Since our project is largely a renewable one, it qualifies to benefit from the CDM.

#### 5.2.5 Exclusion of wind system

The HOMER Pro simulation results for the wind turbines generation system (see research question in the introduction of this contribution) were unforeseen and unexpected. Based on literature review, the wind speed in Sokoto region is much higher than in Southern part of the country and it therefore presents potentials for installation of wind power system. We had the confidence that although the wind system initial investment would be higher than the solar power system, it would yield lower COE and lower overall cost. However, with the use of NASA historical wind speed data that HOMER Pro provided, the wind potential in Sokoto was far from sufficient for a micro wind power plant. Consequently, the assessment of wind systems ended at HOMER Pro simulations, as further analysis was impossible.

## **6 Limitations and shortcomings**

The creation of a modeled village in Sokoto, instead of using one particular real village, makes our research adaptable to many communities in Sokoto, or even in other communities in Nigerian states with similar profile. However, as we did not collect primary data and relied solely on imperfect and incomplete available data and our assumptions, our statistical village and its electricity load profile might differ from reality. Our tendency to overestimate the electricity needs might also derail further our model village from the actual electricity demand. For instance, we are certain that not all households own a refrigerator, an appliance whose electricity consumption is gargantuan in comparison with other appliances. This probable inaccuracy could have led to inaccurate HOMER Pro system simulations, including the essential financial elements.

The use of HOMER Pro software and our decision to use the generic HOMER Pro components and their preset prices and costs might not reflect the actual market condition for those components. The use of other models found in the software's catalogue was hindered by the availability of product prices on the internet. The prices may differ, depending on the supplier and the quantity of the purchase. Further, HOMER Pro does not provide detailed specifications of all the components, making it impossible for us to find comparable products in the market.

The missing information is mostly affecting environmental subcriterion, in particular the EoL value of PV flat plate. HOMER Pro does not specify what kind of PV panels it uses exactly, a factor that determines its recyclability rate. Up to this day, there are monocrystalline, polycrystalline, thin-film amorphous, Cadmium Telluride, biohybrid and a few other solar panels that are categorized into three generations [GRE2015]. These solar panels have completely different material composition and therefore, different recyclability rate.

The general electricity industry consists of generation, transmission and distribution of the electricity. The use of HOMER Pro had another important shortcoming, as it does not cover transmission and distribution costs of power systems that it simulates, costs that are far from negligible. For a residential purpose, the transmission and distribution costs take up 13 % and 31 % respectively, while the remaining 57 % of total cost is engaged for the electricity generation [DAK2017]. It was unfortunately unattainable for us to calculate these costs separately as the systems that HOMER Pro designed were very specific, with a set of parameters (see Section 3.2). Had we used a stand-alone transmission and distribution cost formula, it would not have taken into account everything that had been considered in the HOMER simulations, hence the irrelevance of the result.

The last shortcoming that arises, comes from the nature of AHP as our multicriteria decision analysis technique. The technique involves making multiple pairwise comparisons that eventually result in weights of each subcriterion, a process that is subjective, even when researchers strive to reach objectivity. Furthermore, the 9-point scale system makes the process more time-consuming and complicated, as occasionally it is hard to distinguish between a 7 points and an 8 points score clearly, even with the scale definition [KASn.d.].

## **7 Conclusion**

This contribution posed a question that required the exploration of different renewable electricity generation systems and their prospects to provide the BOP population access to electricity in Sokoto, Nigeria. In the process, an evaluation of Sokoto renewable energy potentials and modeling of a typical village of 200 households was performed. With the use of HOMER Pro software, this work provides a detailed analysis of seven off-grid technologies as potential solutions for the modeled village electrification, e.g. diesel generator energy system; solar PV module with Lead Acid battery storage (PV/LAB); solar PV module with Lithium-ion battery storage (PV/Li-ion); hybrid Solar PV module-Diesel generator with Lead acid battery storage (PV-Diesel/LAB); hybrid Solar PV module-Diesel generator with Lithium-ion battery storage (PV-Diesel/Li-ion); wind turbine with Lead Acid battery storage (Wind/LAB) and wind turbine with Lithium-ion battery storage (Wind/Li-ion).

The HOMER Pro simulation results indicated the non-feasibility of the two wind systems, given the insufficient wind speed in Sokoto, thereby they were excluded from further research. In order to make a comprehensive assessment of the remaining five systems, a Multicriteria Decision Analysis, specifically Analytical Hierarchy Process method was conducted for this purpose. Three main criteria i.e. economic, social and environmental and a total of 10 composite subcriteria enabled the objective evaluation of each of the 5 remaining systems.

As a result, the research revealed that hybrid Solar PV module-Diesel generator with Lithium-ion battery storage (PV-Diesel/Li-ion) was the most appropriate energy system for remote village electrification. Although it does not have the highest performance in social and environmental criteria, it showcases the best performance in economic aspect, a criterion that holds the decisive weight.

Although our research contributes to the rural development through village electrification in Sokoto, Nigeria, it has its shortcomings due to the methods and secondary data used. Therefore, we encourage further researches to collect primary field data, experiment with other methods and software or even explore the potentials of other off-grid renewable power solutions.



## List of References

- [ACO2017] ACOB LIGHTING TECHNOLOGY LIMITED. *Kaduna State 16kW Solar Mini Grid Electrification Project*. Retrieved February 12, 2018, from <http://acoblighing.com/2017/07/19/kaduna-state-16kw-solar-mini-grid-electrification-project/>
- [ADE2017] ADEDEJI, A. O.: *Privatization and Performance of Electricity Distribution Companies in Nigeria*. *Journal of Public Administration and Governance*, 7(3), p. 190–203. Retrieved November 17, 2017, from <http://www.macrothink.org/journal/index.php/jpag/article/view/11168/pdf>
- [ADE2013] ADEYEMO, H.: *Challenges facing solar energy projects in Nigeria: a case study of Lagos state*. Bachelor's Thesis, HAMK University of Applied Sciences, Hämeenlinna, Finland. Retrieved November 18, 2017, from <http://www.theseus.fi/bitstream/handle/10024/60453/Ha-keemAdeyemo+Case+studying+Lagos+state+Nigeria.pdf?sequence=1>
- [AGB2001] AGBESE, P. O.: *Managing Ethnic Relations in a Heterogeneous Society: The case of Nigeria*. In: J. M. Mbaku., P. O. Agbese & M. S. Kimenyi (Eds.), *Revival: Ethnicity and Governance in the Third World* (pp. 196-249). New York, NY, US: Routledge.
- [AGB2011] AGBIBOA, D.E.: *Between Corruption and Development: The Political Economy of State Robbery in Nigeria*. *Journal of Business Ethics*, 108(3), 325-345. doi: 10.1007/s10551-011-1093-5
- [AGB2014] AGBIBOA, D.E.: *Peace at Daggers Drawn? Boko Haram and the State of Emergency in Nigeria*. *Studies in Conflict & Terrorism*, 37(1), p. 41-67. <https://doi.org/10.1080/1057610X.2014.853602>
- [AHL2015] AHLBORG, H.; BORAENG, F.; JAGERS, S. C.; SOEDERHORM, P.: *Provision of electricity to African households: The importance of democracy and institutional quality*. *Energy Policy*, 87, p. 125-135. <https://doi.org/10.1016/j.enpol.2015.09.002>

- [AHL2014] AHLBORG, H.; HAMMAR, L.: *Drivers and barriers to rural electrification in Tanzania and Mozambique – Grid-extension, off-grid, and renewable energy technologies*. *Renewable Energy*, 61(C), p. 117-124.  
<https://doi.org/10.1016/j.renene.2012.09.057>
- [AKI2013] AKINWALE, Y.; JESULEYE, O.; SIYANBOLA, W.: *Empirical Analysis of the Causal Relationship Between Electricity Consumption and Economic Growth in Nigeria*. *British Journal of Economics, Management & Trade*, 3(3), p. 277–295. doi:10.9734/BJEMT/2013/4423
- [AKU2017] AKURU, U. B.; ONUKWUBE, I. E.; OKORO, O. I.; OBE, E. S.: *Towards 100 % renewable energy in Nigeria*. *Renewable and Sustainable Energy Reviews*, 71, p. 943–953.  
<https://doi.org/10.1016/j.rser.2016.12.123>
- [ALB2011] AL-BADI, A. H.; BOURDOUCEN, H.: *Study and design of hybrid diesel-wind standalone system for remote area in Oman*. *International Journal of Sustainable Energy*, 31(2), p. 85-94. <https://doi.org/10.1080/1478646X.2011.554608>
- [ALB2012] ALBRIGHT, G.; EDIE, J.; AL-HALLAJ, S.: *A comparison of lead acid to lithium-ion in stationary storage applications* ", White Paper AllCell Technologies LLC, Chicago. Retrieved January 16, 2018 from [www.altenergymag.com/emagazine/2012/04/a-comparison-of-lead-acid-to-lithium-ion-in-stationary-storage-applications/1884](http://www.altenergymag.com/emagazine/2012/04/a-comparison-of-lead-acid-to-lithium-ion-in-stationary-storage-applications/1884)
- [ALI2008] ALI, B.; KAMARUZZAMAN, S.; YEN, C. H.; MAT, S.; ZAHARI, A.: *Key Success Factors*, In: *Implementing Renewable Energy Programme in Malaysia*. WSEAS TRANSACTIONS on ENVIRONMENT and DEVELOPMENT, 12(4). Retrieved January 12, 2018, from <http://citeseerx.ist.psu.edu/viewdoc/download?doi=10.1.1.500.2601&rep=rep1&type=pdf>
- [AUW2017] AUWAL, A.: *Sokoto to complete building of 189 mosques at N566m*. Retrieved December 1, 2017, from <https://www.dailytrust.com.ng/news/general/sokoto-to-complete-building-of-189-mosques-at-n566m/200058.html>



- [AZUn.d.] AZURI TECHNOLOGIES. *Pay-as-you-go solar power for homes*. Retrieved February 16, 2018, from <https://www.ashden.org/winners/azuri-technologies>
- [BEN2017] BENTON, K.; YANG, X.; WANG, Z.: *Life cycle energy assessment of a standby diesel generator set*. Journal of Cleaner Production, 149, p. 265-274.  
Doi:10.1016/j.jclepro.2017.02.082
- [BRI2017] BRITANNICA. *Niger dams project*. Retrieved October 27, 2017, from <https://www.britannica.com/topic/Niger-Dams-Project>
- [CEY2017] CEYLON ELECTRICITY BOARD. SRI: *Wind Power Generation Project Main Report*. Retrieved October 30, 2017, from <https://www.adb.org/sites/default/files/project-documents/49345/49345-002-eia-en.pdf>
- [CHI2011] CHIKAIRE, J.; NNADI, F. N.; ANYOHA, N. O.: *Access to Sustainable Energy: A Panacea to Rural Household Poverty in Nigeria*. Continental Journal Renewable Energy 2(1), p. 7-18. Retrieved January 9, 2017, from [https://www.researchgate.net/publication/215900945\\_ACCESS\\_TO\\_SUSTAINABLE\\_ENERGY\\_A\\_PANACEA\\_TO\\_RURAL\\_HOUSEHOLD\\_POVERTY\\_IN\\_NIGERIA](https://www.researchgate.net/publication/215900945_ACCESS_TO_SUSTAINABLE_ENERGY_A_PANACEA_TO_RURAL_HOUSEHOLD_POVERTY_IN_NIGERIA)
- [CIA2017] CENTRAL INTELLIGENCE AGENCY. *The World Factbook: Country Comparison: Distribution of Family Income - Gini Index*. Retrieved December 11, 2017, from <https://www.cia.gov/library/publications/the-world-factbook/rankorder/2172rank.html>
- [CON2007] CONFEDERATION OF DANISH INDUSTRIES. *Working with the bottom of the pyramid. Success in low-income markets*. Retrieved February 13, 2018, from <http://di.dk/sitecollectionDocuments/shop/workingwiththe.pdf>
- [COR2017] CORCELLI, F.; RIPA, M.; ULGIATI S.: *End-of-life treatment of crystalline silicon photovoltaic panels. An energy-based case study*. Journal of cleaner production, (161), p. 1129-1142

- [DAD2014] DADA, J., O.: *Towards understanding the benefits and challenges of Smart/Micro-Grid for electricity supply system in Nigeria*. *Renewable and Sustainable Energy Reviews*, (38), p. 1003-1014. doi: 10.1016/j.rser.2014.07.077
- [DAH2011] DAHANU SOLAR POWER PRIVATE LIMITED. *Environment and Social Impact Assessment Study Report For Dahanu 40 MW Photovoltaic (PV) Solar Power Project: At Dhursar Village, Pokharan Tehsil, Jaisalmer District, Rajasthan*. Retrieved February 10, 2018, from <https://www.adb.org/sites/default/files/project-document/60698/45915-01-ind-esia.pdf>
- [DAK2017] DAKOTA ELECTRIC. *How the Generation, Transmission and Distribution System Works*. Retrieved January 9, 2018, from <https://www.dakotaelectric.com/wp-content/uploads/2017/02/EnvDisclosure.pdf>
- [DEB2017] DE BUCK, X.: *Prepaid Meters*. In: *South Africa: How Do They Work?* Retrieved February 16, 2018, from <http://luxury-homesjohannesburg.com/real-estate-blog/prepaid-meters-in-south-africa-how-do-they-work/>
- [DIEn.d.] DIESEL SERVICE AND SUPPLY SHOP. Retrieved 15 January, 2018 from [http://www.dieselserviceandsupply.com/Shop\\_Profile.aspx](http://www.dieselserviceandsupply.com/Shop_Profile.aspx)
- [DOE2011] DOE. Department of Energy US. *Environmental Assessment Photovoltaic Solar Project at the Durango, Colorado, Disposal Site*. Washington, D.C. Retrieved January 20, 2018, from [https://www.lm.doe.gov/Durango/S06350\\_DUD\\_EA.pdf](https://www.lm.doe.gov/Durango/S06350_DUD_EA.pdf)
- [DOR2005] DORSEY, P.: *Top 10 Reasons Why Systems Projects Fail*. Retrieved November 29, 2017, from [http://www.hks.harvard.edu/m-rcbg/ethiopia//Publications/Top% 2010 % 20Reasons%20Why%20Systems%20Projects%20Failil.pdf](http://www.hks.harvard.edu/m-rcbg/ethiopia//Publications/Top%2010%20Reasons%20Why%20Systems%20Projects%20Failil.pdf)
- [EBE2013] EBEGBULEM, J. C.; EKPE, D.; ADEJUMO, T. O.: *Oil Exploration and Poverty in the Niger Delta Region of Nigeria: A Critical Analysis*. *International Journal of Business and Social Science*, 4(3), p. 279-287. Retrieved November 19, 2017,

from [http://www.ijbssnet.com/journals/Vol\\_4\\_No\\_3\\_March\\_2013/30.pdf](http://www.ijbssnet.com/journals/Vol_4_No_3_March_2013/30.pdf)

- [EFU2013] EFURUMIBE, E. L.: *Barriers to the development of renewable energy in Nigeria*. Scholarly Journal of Biotechnology, 2(1), p. 11-13. Retrieved December 14, 2017, from <http://www.scholarly-journals.com/sjb/archive/2013/jan/pdf/Efurumibe.pdf>
- [EIA2017] EIA, Energy Information Administration of the United States. Retrieved November 14, 2017, from [https://www.eia.gov/energyexplained/?page=biomass\\_home](https://www.eia.gov/energyexplained/?page=biomass_home)
- [EIU2016] EIU. Economist Intelligence Unit. *Democracy Index 2016*. Retrieved November 19, 2017, from <https://www.eiu.com/topic/democracy-index>
- [ELU2014] ELUSAKIN, J. E.; AJIDE, O. O.; DIJI, J. C.: *Challenges of sustaining off-grid power generation in Nigeria rural communities*. African Journal of Engineering Research, 2(2), p. 51-57. Retrieved November 26, 2017, from <http://www.net-journals.org/pdf/AJER/2014/3/14-020.pdf>
- [EMO2016] EMODI, N. V.; EBELE, E. N.: *Policies Enhancing Renewable Energy Development and Implications for Nigeria*. Sustainable Energy, 4(1), p. 7-16. Doi: 10.12691/rse-4-1-2
- [ENE2012] ENERGY COMMISSION OF NIGERIA & UNITED NATIONS DEVELOPMENT PROGRAMME. *Renewable Energy Master Plan (REMP)*. Retrieved December 19, 2017, from [http://www.energy.gov.ng/index.php?option=com\\_docman&task=cat\\_view&gid=39&Itemid=49](http://www.energy.gov.ng/index.php?option=com_docman&task=cat_view&gid=39&Itemid=49)
- [EPA2016] EPA, Environmental Protection Agency of the United States. *Overview of greenhouse gases*. Retrieved January 8, 2018 from <https://www.epa.gov/ghgemissions/overview-greenhouse-gases>
- [EUR2017] EUROPEAN UNION. *Environmental: Environmental Assessment*. Retrieved January 20, 2018, from [http://ec.europa.eu/environment/eia/index\\_en.htm](http://ec.europa.eu/environment/eia/index_en.htm)

- [FAN2017] FANTINI, A.-M.; QUINN, M.: OPEC Annual Statistics Bulletin. Retrieved January 8, 2018, from [http://www.opec.org/opec\\_web/statiic\\_filesproject/media/downloads/publications/ASB2017\\_13062017.pdf](http://www.opec.org/opec_web/statiic_filesproject/media/downloads/publications/ASB2017_13062017.pdf)
- [FAO2016] FAO. *Nigeria Food security and Vulnerability Survey 2016*. Retrieved February 5, 2018, from [http://fscluster.org/sites/default/files/documents/food\\_security\\_livelihoods\\_and\\_vulnerability\\_assessment-final\\_draft\\_report\\_of\\_2016\\_fsvs\\_fao\\_nbs\\_dec\\_1.pdf](http://fscluster.org/sites/default/files/documents/food_security_livelihoods_and_vulnerability_assessment-final_draft_report_of_2016_fsvs_fao_nbs_dec_1.pdf)
- [FEDn.d.] FEDERAL REPUBLIC OF NIGERIA. *Sokoto State*. Retrieved November 6, 2017, from <http://www.nigeria.gov.ng/index.php/2016-04-06-08-39-54/north-west/sokoto-state>
- [FLO2009] FLORINI, A.; SOVACOO, B. K.: *Who governs energy? The challenges facing global energy governance*. Energy Policy, 37(12), 5239-5248. <http://dx.doi.org/10.1016/j.enpol.2009.07.039>
- [FOR2017] FORTUNE OF AFRICA. *Investment climate of Nigeria*. Retrieved October 30, 2017, from <http://fortuneofafrica.com/nigeria/investment-climate-of-nigeria/>
- [GAR2002] GARBA, B.; BASHIR, A. M.: *Managing Energy Resources in Nigeria: Studies on Energy Consumption Pattern in Selected Rural Areas in Sokoto State*. Nigerian Journal of Renewable Energy, 10(1&2), p. 97-107.
- [GEE2002] GEELS, F.: *Technological transitions as evolutionary reconfiguration processes: a multi-level perspective and a case-study*. Research Policy, 31, p. 1257-1274. [https://doi.org/10.1016/S0048-7333\(02\)00062-8](https://doi.org/10.1016/S0048-7333(02)00062-8)
- [GEE2005] GEELS, F.: *The dynamics of transitions in socio-technical systems: A multi-level analysis of the transition pathway from horse-drawn carriages to automobiles (1860–1930)*. Technology Analysis & Strategic Management, 17(4), p. 445-476. doi:10.1080/09537320500357319

- [GEO2012] GEORGI-MASCHLER, T.; FRIEDRICH, B.; REINER, W.; HEEGN, H.; RUTZ, M.: *Development of a Recycling Process for Li-Ion Batteries*. *Journal of Power Sources*, 207, p. 173–182. Doi: 10.1016/j.jpowsour.2012.01.152
- [GHA2004] GHALI, K.H. & EL-SAKKA: *Energy Consumption and Output Growth in Canada: A Multivariate Co-Integration Analysis*. *Energy Economics*, 26, p. 225-238. [https://doi.org/10.1016/S0140-9883\(03\)00056-2](https://doi.org/10.1016/S0140-9883(03)00056-2)
- [GIZ2015] GIZ - Deutsche Gesellschaft für Internationale Zusammenarbeit. *An Overview with a Special Emphasis on Renewable Energy, Efficiency and Rural Electrification* 2nd Edition, June 2015. Retrieved November 17, 2017, from <https://www.giz.de/en/downloads/giz2015-en-nigerian-energy-sector.pdf>
- [GRE2015] GREENMATCH. *7 Different Types of Solar Panels Explained*. Retrieved December 18, 2017, from <https://www.greenmatch.co.uk/blog/2015/09/types-of-solar-panels>
- [HAM2010] HAMILTON, K.: *Scaling up Renewable Energy in Developing Countries: Finance and Investment Perspectives. Programme Paper*. Retrieved November 16, 2017, from [https://www.chathamhouse.org/sites/files/chathamhouse/public/Research/Energy%2C%20Environment%20and%20Development/0410pp\\_hamilton.pdf](https://www.chathamhouse.org/sites/files/chathamhouse/public/Research/Energy%2C%20Environment%20and%20Development/0410pp_hamilton.pdf)
- [HAM2007] HAMMOND, A.; KRAMER, W. J.; TRA, J. N.; KATZ, R.; WALKER, C.: *The next 4 billion, market size and business strategy at the base of the pyramid*. World Resources Institute. Retrieved 14 February, 2018, <http://www.wri.org/publication/next-4-billion>
- [HAS2010] HASSAN, M.; MAJUMBER-RUSSEL, D.: *Legislation in the UK Energy Industry*. Retrieved November 15, 2017, from [https://uk.practicallaw.thomsonreuters.com/1-523-9996?transitionType=Default&contextData=\(sc.Default\)](https://uk.practicallaw.thomsonreuters.com/1-523-9996?transitionType=Default&contextData=(sc.Default))
- [HEA2017] HEALTH POLICY PLUS (HP+). *Nigeria population and development*, Sokoto state. Retrieved November 6, 2017, from

[http://www.healthpolicyplus.com/ns/pubs/7149-7285\\_Soko-toRAPIDFactSheet.pdf](http://www.healthpolicyplus.com/ns/pubs/7149-7285_Soko-toRAPIDFactSheet.pdf)

- [HUS2013] HUSSAIN, M.Z.: *Financing renewable energy options for developing financing instruments using public funds. Working paper*. Retrieved November 16, 2017 from <http://documents.worldbank.org/curated/en/196071468331818432/Financing-renewable-energy-options-for-developing-financing-instruments-using-public-funds>
- [IBH2008] IBHAWOH, B.: *Nigeria*. In G. H. Herb & D. H. Kaplan (Eds.). *Nations and Nationalism. A Global Historical Overview* p. 1177-1189. Santa Barbara, CA, US: ABC-CLIO. Idenyi, O. S.
- [IDE2017] IDENYI, FAVOUR, E.-O.; JOHNSON, O. N.; THOMAS, O. O.: *Understanding the Relationship between Unemployment and Inflation in Nigeria*. *Advances in Researches*, 9(2), p. 1-12. doi: 10.9734/AIR/2017/32218
- [IKE2017] IKEJEMBA, C. X. E.; MPUAN, B. P.; SCHUUR, C. P.; HILLEGERSBERG, V. J.: *The empirical reality & sustainable management failures of renewable energy projects in Sub-Saharan Africa*. *Renewable Energy*, 102(A), p. 234-240. <https://doi.org/10.1016/j.renene.2016.10.037>
- [IMF2015] IMF. *Nigeria: Selected Issue Paper (IMF Country Report No. 15/85)*. Washington, D.C. Retrieved November 21, 2017, from [http://www.elibrary.imf.org/doc/IMF002/22455-9781484307151/22455-9781484307151/Other\\_formats/Source\\_PDF/22455-9781484308387.pdf](http://www.elibrary.imf.org/doc/IMF002/22455-9781484307151/22455-9781484307151/Other_formats/Source_PDF/22455-9781484308387.pdf)
- [IMF2017] IMF. *GDP per capita, current prices*. Retrieved November 21, 2017, from <http://www.imf.org/external/datamapper/NGDPDPC@WEO/OEMDC/ADVEC/WEOWORLD/NGA>
- [IND2017] INDEPENDENT ENERGY WATCH INITIATIVE. Retrieved January 15, 2018, from <http://iwin.org.ng/index.php/news/item/7995-over-n500m-lost-to-electricity-vandalism-police>

- [ING2015] INGOLE, A. S.; RAKHONDE, B. S.: *Hybrid Power Generation System Using Wind Energy and Solar Energy*. International Journal of Scientific and Research Publications, 5(3), p. 1-4. Retrieved November 26, 2017, from <http://www.ijsrp.org/research-paper-0315.php?rp=P393854>
- [INS2017] INSTANT ENERGY. *Are Electricity Tariffs in Nigeria Really the Lowest in Africa?* Retrieved February 18, 2018, from <https://instantenergy.com.ng/are-electricity-tariffs-in-nigeria-really-the-lowest-in-africa/>
- [INT1999] INTERNATIONAL CENTRE FOR NIGERIAN LAW. *Constitution of the Federal Republic of Nigeria 1999*. Retrieved November 19, 2017 <http://www.nigeria-law.org/ConstitutionOfTheFederalRepublicOfNigeria.htm>
- [IRE2017] IRENA - the International Renewable Energy Agency. *Renewable Energy Statistics 2017*. Retrieved January 16, 2018, from [http://www.irena.org/Document Downloads/ Publications/IRENA\\_Renewable\\_Energy\\_Statistics\\_2017.pdf](http://www.irena.org/DocumentDownloads/Publications/IRENA_Renewable_Energy_Statistics_2017.pdf)
- [ISM2012] ISMAIL, O.S.; AJIDE, O.O.; AKINGBESOTE F.: *Performance assessment of installed solar PV system: a case study of Oke-Agunla in Nigeria*. Engineering, 4(8), p. 453-458. doi:10.4236/eng.2012.48059
- [ISO2006]. ISO, International Standardization Organization. *Environmental management - Life cycle assessment - Principles and framework. (14040)*. Retrieved December 13, 2017, from <https://www.iso.org/obp/ui/#iso:std:iso:14040:ed-2:v1:en>
- [JAC2016] JACK, K.; SMITH, G.: *Charging Ahead: Prepaid Electricity Metering in South Africa. NBER Working Paper*. Retrieved February 16, 2018, from <https://www.povertyactionlab.org/evaluation/impact-prepaid-electricity-meters-low-income-households-south-africa>
- [JAC2000] JACOBSSON, S.; JOHNSON, A.: *The diffusion of renewable energy technology: an analytical framework and key issues for research*. Energy Policy, 28, p. 625-640. [https://doi.org/10.1016/S0301-4215\(00\)00041-0](https://doi.org/10.1016/S0301-4215(00)00041-0)

- [JOF2017] JOFOS INDUSTRIES LIMITED. *Solar Power Engineering*. Retrieved January 21, 2018, from <http://jofosindustries.com/solar.html>
- [KAD2018] KADUNA DISTRIBUTION COMPANY. *Residential Electricity Tariff*. Retrieved February 21, 2018, from <https://kadunaelectric.com/about-us-2/>
- [KASn.d.] KASPERCZYK, N.; KNICKEL, K.: *Analytic hierarchy process (AHP)*. Retrieved January 9, 2018, from [http://www.ivm.vu.nl/en/Images/MCA3\\_tcm234-161529.pdf](http://www.ivm.vu.nl/en/Images/MCA3_tcm234-161529.pdf)
- [KAZ2017] KAZEEM, Y.: *Some of the world's biggest countries have managed to reduce extreme poverty - except Nigeria*. Retrieved January 23, 2018, from <https://qz.com/963465/some-of-the-worlds-biggest-countries-have-managed-to-wrangle-extreme-poverty-except-nigeria/>
- [KHA2015] KHAN, A.; HAMIDU, I.: *Boko Haram and Turmoil in Northern Nigeria*. *Jadavpur Journal of International Relations*, 19(1), p. 22-42. doi: 10.1177/0973598415599884
- [KRI2013] KRIEGER, E. M.; CANNARELLA, J.; ARNOLD, C. B.: *A comparison of lead-acid and lithium-based battery behavior and capacity fade in off-grid renewable charging applications*. *Energy*, 60, p. 492-500. <https://doi.org/10.1016/j.energy.2013.08.029>
- [LAM2005] LAMBERT T.; GILMAN, P.; LILIENTHAL, P.: *Micro-power system modeling with HOMER*. In: Farret, F. A., & Simões, M. G. (Eds.), *Integration of Alternative Sources of Energy*. Indianapolis, US: John Wiley & Sons.
- [LEG2016] LEGATUM INSTITUTE. *The Africa Prosperity Report 2016*. Retrieved November 27, 2017, from <https://lif.blob.core.windows.net/lif/docs/default-source/publications/2016-africa-prosperity-report-pdf.pdf?sfvrsn=2>
- [LITn.d.-a] LITHIUM ION BATTERY TEST CENTRE. *Lead Acid*. Retrieved January 24, 2018, from <https://batterytestcentre.com.au/project/lead-acid/>



- [LITn.d.-b] LITHIUM ION BATTERY TEST CENTRE. *Lithium ion*. Retrieved January 24, 2018, from <https://batterytestcentre.com.au/project/lithium-ion/>
- [LUB2007] LUBECK, P. M.; WATTS, J. M.; LIPSCHUTZ, R.: *Convergent Interests: U.S. Energy Security and the “Securing” of Nigerian Democracy*. Washington, DC, US: Center for International Policy
- [MAL2014] MALEKI, A.; ASKARZADEH, A.: *Optimal sizing of a PV/wind/diesel system with battery storage for electrification to an off-grid remote region: A case study of Rafsanjan, Iran*. *Sustainable Energy Technologies and Assessments*, 7, p. 147-153. <https://doi.org/10.1016/j.seta.2014.04.005>
- [MAN2016] MANDELLI, S.; BARBIERI, J.; MEREU, R.; COLOMBO, E.: *Off-grid systems for rural electrification in developing countries: Definitions, classification and a comprehensive literature review*. *Renewable and Sustainable Energy Reviews*, 58, p. 1621–1646. <https://doi.org/10.1016/j.rser.2015.12.338>
- [MAN2011] MANZUR, A.: *Does increasing energy or electricity consumption improve quality of life in industrial nations?* *Energy Policy*, 39(5), p. 2568 -2572. <https://doi.org/10.1016/j.enpol.2011.02.024>
- [MAR2017] MARSHALL PLAN FOR NIGERIA STIMULATING RAPID ECONOMIC GROWTH. Retrieved January 18, 2018 from <https://ng.boell.org/2017/06/15/marshall-plan-nigeria-nesg-report>
- [MIT2017] MIT. *Media Lab. The Observatory of Economic Complexity - Nigeria*. Retrieved November 27, 2017, from <https://atlas.media.mit.edu/en/profile/country/nga/>
- [MOB2014] MOBBS, P. M.: *The Mineral Industry of Nigeria*. US Geological survey minerals yearbook - 2012, p. 341-346. Retrieved February 10, 2018, from <https://minerals.usgs.gov/minerals/pubs/country/2012/myb3-2012-ni.pdf>
- [MOS2015] MOSES, F.; NG'ENY, K. B.: *Environmental Impact Assessment Study Report For the Proposed Malindi Solar Power Plant (40MW) Project in Weru Group Ranch No.19 in Lango*

- Baya Location, Malindi District in Kilifi County. Nairobi, Kenya.* Retrieved February 2, 2018, from [https://www.nema.go.ke/images/Docs/EIA-1240-1249/EIA-1244\\_%20Malindi%20solar%20power%20study%20report.pdf](https://www.nema.go.ke/images/Docs/EIA-1240-1249/EIA-1244_%20Malindi%20solar%20power%20study%20report.pdf)
- [MUH2012] Muhammad, U.: *Rural Solar Electrification in Nigeria: Renewable Energy Potentials And Distribution For Rural Development.* Gusau, Nigeria: Centre for Energy and Environment. Retrieved December 16, 2017, from [https://ases.conference-services.net/resources/252/2859/pdf/SO-LAR2012\\_0232\\_full%20paper.pdf](https://ases.conference-services.net/resources/252/2859/pdf/SO-LAR2012_0232_full%20paper.pdf)
- [NAM2014] NAMA VIRA, V.: *Implementing renewable energy - secrets of success.* Retrieved December 2, 2017, from <https://blogs.dnvgl.com/energy/implementing-renewable-energy-secrets-of-success>
- [NAT2017a] NATIONAL BUREAU OF STATISTICS. *Nigerian Gross Domestic Product Report (Expenditure and income approach) - Q3, Q4 2016.* Abuja, Nigeria
- [NAT2017b] NATIONAL BUREAU OF STATISTICS. *Unemployment / Under-Employment Report (Q4 2016).* Abuja, Nigeria.
- [NAT2004] NATIONAL RENEWABLE ENERGY LABORATORY. *Innovation for our Energy Future.* Retrieved 7 January, 2018, from <https://www.nrel.gov/docs/fy04osti/35406.pdf>
- [NBS2016] NBS, National Bureau of Statistics. *Social Statistics Report 2016.* Abuja, Nigeria.
- [NIG2016] NIGERIA DATA PORTAL. *Nigeria population by age and sex.* Retrieved February 2, 2018 from <http://nigeria.opendata-forafrica.org/htmlbyze/nigeria-population-by-age-and-sex>
- [NER2017] NERC, Nigerian Electricity Regulatory Commission. *History.* Retrieved November 20, 2017, from <http://www.nercng.org/index.php/home/nesi/401-history>
- [NNA2015] NNABUGWU, F.: *60 % of projects fail in Nigeria - UNIDO.* Retrieved December 1, 2017, from <https://www.vanguardngr.com/2015/08/60-of-projects-fail-in-nigeria-unido/>

- [NRE2015] NREEEP. *National Renewable Energy and Energy Efficiency Policy*. Ministry of Power. Federal Republic of Nigeria. Retrieved November 20, 2017, from <http://www.power.gov.ng/download/NREEEP%20POLICY%202015-%20FEC%20APPROVED%20COPY.pdf>
- [OGU2013] OGUNDIPE, A. A.; APATA, A.: *Electricity Consumption and Economic Growth in Nigeria*. Journal of Business Management and Applied Economics, 2(4), p. 1-14. Retrieved November 19, 2017, from [covenantuniversity.edu.ng/content/download/19617/126416/file/Electricity%2Bconsumption.pdf](http://covenantuniversity.edu.ng/content/download/19617/126416/file/Electricity%2Bconsumption.pdf)
- [OGU2015] OGUNMOLA, E.: *Why do projects fail? The Nigerian government insensitivity to project failure*. PM World Journal, 4(4), p. 1-4. Retrieved December 2, 2017, from <http://pmworldjournal.net/wp-content/uploads/2015/04/pmwj33-Apr2015-Ogunmola-why-projects-fail-nigeria-Commentary.pdf>
- [OHU2011] OHUNAKIN, O. S.; OJOLO, S. J.; AJAYI, O. O.: *Small hydropower (SHP) development in Nigeria: An assessment*. Renewable and Sustainable Energy Reviews, 15(4), 2006–2013. <https://doi.org/10.1016/j.rser.2011.01.003>
- [OLU2015] OLUWATOYIN, K. K.; ODUNOLA, A. M.; ALABO A. O.: *Ways of Achieving Stable and Uninterrupted Power Supply of Electricity in Nigeria*. British Journal of Applied Science & Technology, 10(5), p. 1-15. Retrieved January 10, 2018, [http://www.journalrepository.org/media/journals/BJAST\\_5/2015/Jul/Odunola1052015BJAST17043.pdf](http://www.journalrepository.org/media/journals/BJAST_5/2015/Jul/Odunola1052015BJAST17043.pdf)
- [OMI2011] OMISORE, B.: *Nigeria's Solar Projects yield both failure and success*. The National Geographic. Retrieved November 29, 2017, from <https://news.nationalgeographic.com/news/energy/2011/11/111102-solar-power-in-nigeria/>
- [OPE2016] OPEC. *Nigeria facts and figures*. Retrieved October 27, 2017, from [http://www.opec.org/opec\\_web/en/about\\_us/167.htm](http://www.opec.org/opec_web/en/about_us/167.htm)
- [OYE2017] OYEWO, A.; AGHAHOSSEINI, A.; BREYER, C.: *Assessment of energy storage technologies in transition to a 100 %*

- renewable energy system for Nigeria*. Paper presented at 11th IRES Conference, Düsseldorf, Germany.
- [PET2013] PETERSCHMIDT, N.; NEUMANN, C.: *Scaling up Successful Micro-Utilities for Rural Electrification*. Oestrich-Winkel. Sustainable Business Institute. Retrieved January 10, 2018, from <http://www.inensus.de/download/2013-SBI-INENSUS-Studie.pdf>
- [PEW2017] PEW RESEARCH CENTER. *The Changing Global Religious Landscape*. Washington, DC, US. Retrieved February 5, 2018, from <http://assets.pewresearch.org/wp-content/uploads/sites/11/2017/04/07092755/FULL-REPORT-WITH-APPENDIXES-A-AND-B-APRIL-3.pdf>
- [PIE2016] PIERCE, S.: *Moral Economies of Corruption*, London, UK: Duke University Press.
- [PNU1997] PNUELI, Y.; ZUSSMAN, E.: *Evaluating the end-of-life value of a product and improving it by redesign*. *International Journal of Production Research*, 35, p. 921–942. <https://doi.org/10.1080/002075497195452>
- [POH2003] POHEKAR, S. D.; RAMACHANDRAN, M.: *Application of multi-criteria decision making to sustainable energy planning - A review*. *Renewable and Sustainable Energy Reviews* 8(4), p. 365–381. <https://doi.org/10.1016/j.rser.2003.12.007>
- [PRA2002] PRAHALAD, C. K.; HART, S. L.: *The Fortune at the Bottom of the Pyramid*. *Strategy+business Magazine*, 26, p. 1–14. Retrieved February 17, 2018, from <https://people.eecs.berkeley.edu/~brewer/ict4b/Fortune-BoP.pdf>
- [PWC2016] ELECTRICITY BEYOND THE GRID. *Accelerating access to sustainable power for all*. Retrieved January 21, 2018, from <https://www.pwc.com/gx/en/energy-utilities-mining/pdf/electricity-beyond-grid.pdf>
- [REH2012] REHMAN, S.; ALAM, M. M.; MEYER, J., P.; AL-HADHRAMI, L. M.: *Feasibility study of a wind-pv-diesel hybrid power system for a village*. *Renewable Energy*, 38, p. 258–268. <https://doi.org/10.1016/j.renene.2011.06.028>

- [RENn.d.-a] RENEWABLE ENERGY PROGRAMME. *Investment Incentives*. Retrieved December 17, 2017, from <http://renewableenergy.gov.ng/invest/investment-incentives/>
- [RENn.d.-b] RENEWABLE ENERGY. In *Oxford Dictionary of English*. Retrieved November 20, 2017, from [https://en.oxforddictionaries.com/definition/renewable\\_energy](https://en.oxforddictionaries.com/definition/renewable_energy)
- [REU2017] REUTERS. *UPDATE 1-Nigerian annual inflation slows for ninth month*, to 15.91 pct. Retrieved December 6, 2017, from <http://www.reuters.com/article/nigeria-inflation/update-1-nigerian-annual-inflation-slows-for-ninth-month-to-15-91-pct-idUSL8N1NL21E>
- [RID2011] RIDDELL, W. C.; SONG, X.: *The Impact of Education on Unemployment Incidence and Re-employment Success: Evidence from the U.S. Labour Market*. IZA Discussion Paper Series. (5572). Retrieved January 7, 2018, from <http://ftp.iza.org/dp5572.pdf>
- [ROB2017] ROBERTSON, C.: *Africa's Economies Ranked By GDP, Which Is Really The Largest?* Retrieved November 10, 2017, from <https://www.cnbc.com/africa/videos/east-africa-videos/2017/10/21/africas-economies-ranked-gdp-really-largest/>
- [ROH2014] ROHIT, S.; SUBHES, C. B.: *Off-grid electricity generation with renewable energy technologies in India: An application of HOMER*. *Renewable Energy*, 62, p. 388-398. <https://doi.org/10.1016/j.renene.2013.07.028>
- [SAA2008a] SAATY, T.: *Relative Measurement and Its Generalization in Decision Making Why Pairwise Comparisons are Central in Mathematics for the Measurement of Intangible Factors The Analytic Hierarchy/Network Process*. *RACSAM*, 102(2), p. 251–318. Retrieved December 3, 2017, from <https://link.springer.com/article/10.1007/BF03191825>
- [SAA2008b] SAATY, T. L.: *Decision making with the analysis process*. *International Journal of Services Sciences*, 1(1), p. 83–98. <https://doi.org/10.1504/IJSSci.2008.01759>
- [SAL2015] SALDINGER, A. (2015). *Off-grid solar power is gathering steam in Africa, what's next?* Retrieved February 19, 2018,

from <https://www.devex.com/news/off-grid-solar-power-is-gathering-steam-in-africa-what-s-next-87149>

- [SELn.d.] Solar Electric Light Fund. (n.d.). *Nigeria: History*. Retrieved October 24, 2017, from <https://self.org/archive-nigeria/>
- [SHA2014] Shaaban, M., & Petinrin, J. O. (2014). *Renewable energy potentials in Nigeria: Meeting rural energy needs*. *Renewable and Sustainable Energy Reviews*, 29, 72–84. <http://dx.doi.org/10.1016/j.rser.2013.08.078>
- [SHA2009] SHAAHID, S.M.; EL-AMIN, I.: *Techno-economic evaluation of off-grid hybrid photovoltaic–diesel–battery power systems for rural electrification in Saudi Arabia—Away forward for sustainable development*. *Renewable and Sustainable Energy Reviews* 13(3) p. 625-633. <https://doi.org/10.1016/j.rser.2007.11.017>
- [SHA2008] SHAAHID, S. M.; ELHADIDY, M. A.: *Economic analysis of hybrid photovoltaic-diesel-battery power systems for residential loads in hot regions – a step to clean future*. *Renewable and Sustainable Energy Reviews*, 12(2), p. 488-503. <https://doi.org/10.1016/j.rser.2006.07.013>
- [SHA2013] Shamaki, M. A., Rostam, K., & Adamu, Y. M. (2013). *Targeting poverty to improve maternal health in Sokoto State, Nigeria*. *Malaysian Journal of Society and Space*, 9(3), 38-46. Retrieved January 11, 2018, from <http://www.ukm.my/geografia/images/upload/4.geografia-july%202013-muazu-edam.pdf>
- [SHI2015] SHIBATA, M.: *Inside the World's Biggest E-Waste Dump*. Retrieved, December 15, 2017, from [https://motherboard.vice.com/en\\_us/article/4x3emg/inside-the-worlds-biggest-e-waste-dump](https://motherboard.vice.com/en_us/article/4x3emg/inside-the-worlds-biggest-e-waste-dump)
- [SHI2010] SHIELDS, M.: *PV Systems: Low Levels of Glare and Reflectance vs. Surrounding Environment*. Retrieved January 11, 2018, from <https://us.sunpower.com/sites/sunpower/files/media-library/white-papers/wp-pv-systems-low-levels-glare-reflectance-vs-surrounding-environment.pdf>

- [SIM2003] SIMS, E. H. R.; ROGNER, H.-H.; GREGORY, K.: *Carbon emission and mitigation cost comparisons between fossil fuel, nuclear and renewable energy resources for electricity generation*. *Energy Policy* 31, p. 1315–1326.  
[https://doi.org/10.1016/S0301-4215\(02\)00192-1](https://doi.org/10.1016/S0301-4215(02)00192-1)
- [SNI2015] SNIESKA, V.; VALODKIENE, G.; DAUNORIENE, A.; DRAKSAITE, A.: *Education and unemployment in European Union economic cycles*. *Procedia - Social and Behavioral Sciences*, 213, p. 211–216.  
<https://doi.org/10.1016/j.sbspro.2015.11.428>
- [SOKn.d.] SOKOTO CALIPHATE. *Sokoto Caliphate*. In *Oxford Dictionary of Islam*. Retrieved November 22, 2017, from <http://www.oxfordislamicstudies.com/article/opr/t125/e2239>
- [STE2010] STERN, D. I.: *The Role of Energy in Economic Growth*. Retrieved November 21, 2017, from <https://ageconsearch.umn.edu/bitstream/249380/2/CCEP-3-10.pdf>
- [TAS2014] TASRI, A.; SUSILAWATI, A.: *Selection among renewable energy alternatives based on a fuzzy analytic hierarchy process in Indonesia*. *Sustainable Energy Technologies and Assessments* 7, p. 34–44.  
<https://doi.org/10.1016/j.seta.2014.02.008>
- [TEC2010] TEC INC. *Environmental Assessment for Diesel Generator Installation in Kekaha, Kauai, Hawaii*. Retrieved February 2, 2018, from [http://oeqc.doh.hawaii.gov/Shared%20Documents/EA\\_and\\_EIS\\_Online\\_Library/Kauai/2010s/2010-02-23-KA-DEA-Diesel-Generator-Kekaha.pdf](http://oeqc.doh.hawaii.gov/Shared%20Documents/EA_and_EIS_Online_Library/Kauai/2010s/2010-02-23-KA-DEA-Diesel-Generator-Kekaha.pdf)
- [THEn.d.] THE ECO EXPERTS. Retrieved January 14, 2018 from <https://www.theecoexperts.co.uk/solar-panels/what-size-do-i-need>
- [THE2014] THE FINANCIAL TIMES. *Lexicon: Definition of bottom of the pyramid (BOP)*. Retrieved January 15, 2018 from [http://lexicon.ft.com/Term?term=bottom-of-thepyramid-\(BOP\)](http://lexicon.ft.com/Term?term=bottom-of-thepyramid-(BOP))

- [TIMn.d.] TIME AND DATE. *Sokoto, Nigeria — Sunrise, Sunset, and Daylength, February 2018*. Retrieved February 8, 2018, from <https://www.timeanddate.com/sun/nigeria/sokoto>
- [TRA2017] TRADING ECONOMICS. *Nigeria interest rate*. Retrieved December 1, 2017, from <https://tradingeconomics.com/nigeria/interest-rate>
- [TRA2016] TRANSPARENCY INTERNATIONAL. *Corruption Perception Index 2016*. Retrieved November 19, 2017, from [https://www.transparency.org/news/feature/corruption\\_perceptions\\_index\\_2016](https://www.transparency.org/news/feature/corruption_perceptions_index_2016)
- [TRO2016] TROTTER, P. A.: *Rural electrification, electrification inequality and democratic institutions in sub-Saharan Africa*. *Energy for Sustainable Development*, 34, p. 111-129. <https://doi.org/10.1016/j.esd.2016.07.008>
- [TSO2009] TSOUTSOS, T.; DRANDAKI, M.; FRANTZESKAKI, N.; IOSIFIDIS, E.; KIOSSES, I.: *Sustainable energy planning by using multi-criteria analysis application in the island of Crete*. *Energy Policy* 37(5), 1587–1600. <https://doi.org/10.1016/j.enpol.2008.12.011>
- [UDO2017] UDOCHUKWU, B.A.; IFEANYICHUKWU E.O.; OGBONNAYA I.O.; EMEKA S.O.: *Towards 100 % renewable energy in Nigeria*. *Renewable and Sustainable Energy Reviews*, 71, p. 943-953. <https://doi.org/10.1016/j.rser.2016.12.123>
- [UDU2013] UDUAK, S. A.; SALISU, R. I.: *Electricity Access in Nigeria: Viability of Off-Grid Photovoltaic System*. Paper presented at the IEEE African Conference 2013. doi:10.1109/AFR-CON.2013.6757778
- [UNE2011] UNEP (2011): *Environmental Assessment of Ogoniland*, ISBN:978-92-807-3130-9, 1 – 25
- [UNI2013] UNICEF. *At a glance: Nigeria: Statistics*. Retrieved January 14, 2018, from [https://www.unicef.org/infobycountry/nigeria\\_statistics.html](https://www.unicef.org/infobycountry/nigeria_statistics.html)



- [UNI2017] UNITED NATIONS. *World Population Prospects 2017*. Retrieved January 8, 2018, from <https://esa.un.org/unpd/wpp/Download/Standard/Population/>
- [UNIn.d.] UNITED NATIONS. *Climate Neutral Now*. Retrieved January 10, 2018, from <https://unfccc.int/climate-action/climate-neutral-now>
- [USAn.d.] USAID. *Nigeria Power Africa Fact Sheet*. Retrieved January 15, 2018, from <https://www.usaid.gov/powerafrica/nigeria>
- [VLA2010] VLAHINIC-DIZDAREVIC, N.; ZIKOVIC, S.: *The role of energy in economic growth: the case of Croatia*. Proceedings of Rijeka School of Economics, 28(1), p. 35-60. UDC 621.311:330.34/(497.5)
- [VOEn.d.] VOELLER, C.; KLAUSS-VORREITER, A.; HANKO, J.: *Clean energy towards a better quality of life; the ENERGY FOR LIFE project*. Retrieved 17 February, 2018, from <http://ecodes.org/docs/e2.pdf>
- [WAL2009] WALKER, A.: *The day oil was discovered in Nigeria*. Retrieved, November 15, 2017, from <http://news.bbc.co.uk/2/hi/africa/7840310.stm>
- [WIG2016] WIGGINS, D.: *Top 10 reasons for project portfolio management (PPM) failure*. PM World Journal, 5(4), p. 1-9. Retrieved December 2, 2017, from <http://pmworldjournal.net/wp-content/uploads/2016/04/pmwj45-Apr2016-Wiggins-top-ten-reasons-for-ppm-failure-advisory.pdf>
- [WOR2008] WORLD BANK. *Designing Sustainable Off-Grid Rural Electrification Projects: Principles and Practices (Operational Guidance for World Bank Group Staff)*. Retrieved from <http://siteresources.worldbank.org/EXTENERGY2/Resources/OffgridGuidelines.pdf>
- [WOR2010] WORLD BANK. *The State of the Poor: Where are the Poor and where are the Poorest?* Retrieved February 14, 2018, from [https://www.worldbank.org/content/dam/Worldbank/document/State\\_of\\_the\\_poor\\_paper\\_April17.pdf](https://www.worldbank.org/content/dam/Worldbank/document/State_of_the_poor_paper_April17.pdf)

- [WOR2013] WORLD BANK. *Financing renewable energy Options for Developing Financing Instruments using Public Funds*. Retrieved November 16, 2017, from <http://documents.worldbank.org/curated/en/196071468331818432/pdf/765560WP0Finan00Box374373B00PUBLIC0.pdf>
- [WOR2015] WORLD BANK. *Population Dynamics by Country and Group*. Retrieved October 27, 2017, from <http://datatopics.worldbank.org/health/population>
- [WOR2016] WORLD BANK. *Access to electricity (% of population) in Nigeria*. Retrieved November 19, 2017, from <https://data.worldbank.org/indicator/EG.ELC.ACCS.ZS>
- [WOR2017a] WORLD BANK. *Program for Results Information Document. Concept Stage. Report Number: PIDC0122348*. Retrieved February 19, 2018, <http://documents.worldbank.org/curated/en/266341497992825758/pdf/Nigeria-Power-Sector-Recovery-P4R-Concept-Stage-PID-8-3-2017.pdf>
- [WOR2017b] WORLD BANK. *World Bank Group Support for Nigeria's Power Sector Recovery Program*. Retrieved February 19, 2018, from <http://www.worldbank.org/en/news/press-release/2017/04/22/world-bank-group-support-for-nigerias-power-sector-recovery-program>
- [WORn.d.-a] WORLD BANK. *Foreign direct investment, net inflows (BoP, current US\$)*. Retrieved November 19, 2017, from <https://data.worldbank.org/indicator/BX.KLT.DINV.CD.WD?locations=NG>
- [WORn.d.-b] WORLD BANK. *GDP growth (annual %)*. Retrieved November 19, 2017, from <https://data.worldbank.org/indicator/NY.GDP.MKTP.KD.ZG?locations=NG>
- [WORn.d.-c] WORLD BANK. *Hospital beds (per 1,000 people)*. Retrieved November 19, 2017, from <https://data.worldbank.org/indicator/SH.MED.BEDS.ZS>

- [WUE2007] WUESTENHAGEN, R.; MAARTEN, W. M.; BUERER, M. J.: *Social acceptance of renewable energy innovation: An introduction to the concept. Energy policy*, 35(5), p. 2683-2691. <https://doi.org/10.1016/j.enpol.2006.12.001>
- [ZOO2010] ZOPOUNIDIS, C.; PARDALOS, P. (Eds.): *Handbook of Multicriteria Analysis*. Berlin: Springer



## Appendix

### Relative scoring scale

The calculation of different scoring scales for multi-criteria decision making (as discussed in section 2.3.1) is represented by the following equation:

$$\frac{Value_{max} - Value_{min}}{10}$$

#### 1. Capital cost

$$= (4,040,000 - 110,000) / 10 = 393,000$$

With an interval of 393,000, the scale is as follows:

0	1	2	3	4	5
4,040,000	3,647,000	3,254,000	2,861,000	2,468,000	2,075,000
	6	7	8	9	10
	1,682,000	1,289,000	896,000	503,000	110,000

#### 2. Operating cost

$$= (219,004 - 164,614) / 10 = 16,461.4$$

With an interval of 16,461.4, the scale is as follows:

0	1	2	3	4	5
219,004	202,543	186,081	169,620	153,158	136,697
	6	7	8	9	10
	120,236	103,774	87,313	70,851	54,390

#### 3. Cost of energy

$$= (0.393 - 0.202) / 10 = 0.019$$

With an interval of 0.019, the scale is as follows:

0	1	2	3	4	5
0.393	0.3739	0.3548	0.3357	0.3166	0.2975
	6	7	8	9	10
	0.2784	0.2593	0.2402	0.2211	0.202

#### 4. Payback period

$$= (9.4 - 8.1) / 10 = 0.13$$

With an interval of 0.13, the scale is as follows:

0	1	2	3	4	5
9.4	9.27	9.14	9.01	8.88	8.75
	6	7	8	9	10
	8.62	8.49	8.36	8.23	8.1

#### 5. GHG emission

$$= (562,218.6 - 0) / 10 = 56,218.86$$

With an interval of 56,218.86, the scale is as follows:

0	1	2	3	4	5
562,619	506,357	450,095	393,833	337,571	281,309
	6	7	8	9	10
	225,047	168,786	112,524	56,262	0

**6. End-of-life value**

$$= (0.98 - 0.66) / 10 = 0.0287$$

With an interval of 0.0287, the scale is as follows:

0	1	2	3	4	5
0.66	0.69	0.72	0.75	0.77	0.80
	6	7	8	9	10
	0.83	0.86	0.89	0.92	0.95





## **Implementing sustainable domestic biogas projects in rural Tambacounda, Senegal**

by Julia Kostin, Marie Strauss and Nika Tavčar



## Table of Contents

<i>List of Figures</i> .....	141
<i>List of Tables</i> .....	141
<i>List of Abbreviations</i> .....	143
<i>Abstract</i> .....	147
<b>1 Introduction</b> .....	<b>149</b>
<b>1.1 Energy Poverty in Sub-Saharan Africa and Senegal</b> .....	<b>149</b>
<b>1.2 The Biogas Sector in Sub-Saharan Africa: A Brief Overview</b> .....	<b>150</b>
<b>1.3 Biogas in Senegal: Opportunities Abound</b> .....	<b>150</b>
<b>1.4 Past and Present: Biogas Development in Senegal</b> .....	<b>151</b>
1.4.1 Biogas from the past: A brief history of the biogas sector in Senegal .....	151
1.4.2 Current state of the national biogas program .....	153
<b>2.5 The Case for Biogas in Rural Communities of Tambacounda, Senegal</b>	
<b>154</b>	
<b>2 Methodology</b> .....	<b>157</b>
<b>2.1 Research Objective</b> .....	<b>157</b>
<b>2.2 Research Design</b> .....	<b>158</b>
2.2.1 PESTEL analysis .....	158
2.2.2 Semi-structured interviews .....	158
2.2.3 Results .....	159
<b>3 Analysis</b> .....	<b>161</b>
<b>3.1 Political Factors</b> .....	<b>161</b>
3.1.1 Political power and governance structures.....	161
3.1.2 Civil society and private sector involvement .....	162
3.1.3 Political commitment toward renewable energies .....	164
3.1.4 Environmental governance .....	166
<b>3.2 Environmental Factors</b> .....	<b>169</b>
3.2.1 Geographical location.....	169
3.2.2 Climate and weather conditions.....	169
3.2.3 Climate change .....	170
3.2.4 Importance of forest and deforestation .....	171
3.2.5 Pollution.....	172
3.2.6 Land use patterns .....	173

<b>3.3</b>	<b>Social Factors .....</b>	<b>174</b>
3.3.1	Social groups and their agricultural practices .....	174
3.3.2	Households .....	176
3.3.3	Education .....	176
3.3.4	Household buying decisions .....	177
3.3.5	Health and social issues related to the use of traditional fuels .....	177
3.3.6	Awareness and acceptance of biogas technology .....	179
<b>3.4</b>	<b>Technical Factors.....</b>	<b>181</b>
3.4.1	Domestic biodigesters.....	181
3.4.2	Substrates.....	183
3.4.3	Co-digestion.....	184
3.4.4	Grazing systems.....	185
3.4.5	Water usage .....	187
3.4.6	Materials, installation, and maintenance.....	187
3.4.7	Operability .....	190
3.4.8	Technical capacity .....	192
<b>3.5</b>	<b>Economic Factors .....</b>	<b>193</b>
3.5.1	Economic development of the region .....	193
3.5.2	Sufficient active demand .....	193
3.5.3	Willingness to pay (WTP) .....	194
3.5.4	The market for existing domestic cooking fuels .....	194
3.5.5	Financing .....	195
3.5.6	Potential to use bio-slurry .....	196
<b>3.6</b>	<b>Legal Factors.....</b>	<b>198</b>
3.6.1	Land tenure, decentralized jurisdiction and customary law .....	198
3.6.2	Emergency and disaster preparedness legislation .....	200
3.6.3	Dairy industry legislation.....	200
3.6.4	Participation in international agreements on climate change.....	201
3.6.5	Labor and employment legislation for NGOs .....	202
3.6.6	Anti-corruption legislation.....	204
<b>4</b>	<b>Results.....</b>	<b>207</b>
<b>4.1</b>	<b>Critical Success Factors .....</b>	<b>207</b>
<b>4.2</b>	<b>Promotion and Communication .....</b>	<b>209</b>
<b>4.3</b>	<b>Financing Scheme .....</b>	<b>211</b>
<b>4.4</b>	<b>Household Selection and Installation Requirements.....</b>	<b>214</b>

<b>4.5</b>	<b>Technical Training and Employment .....</b>	<b>217</b>
4.5.1	Training of trainers .....	218
4.5.2	General Training Sessions .....	218
4.5.3	Long-term Monitoring and Employment .....	219
<b>4.6</b>	<b>Community Development .....</b>	<b>220</b>
<b>5</b>	<b><i>Conclusion</i>.....</b>	<b>223</b>
<b>6</b>	<b><i>Discussion</i>.....</b>	<b>227</b>
	 <b><i>List of References</i>.....</b>	 <b>229</b>
	<b><i>Appendix</i>.....</b>	<b>243</b>



## List of Figures

Figure 1: Design of different digester types [adapted from ALS2008] .....	182
---	-----

## List of Tables

Table 1: Summary of interviewees and relevant information.....	159
Table 2: Projected temperature change [adapted from CSC2016].....	171
Table 3: Biological methane potential (BMP) [adapted from LUO2011] .....	184
Table 4: Characteristics of substrates [adapted from RAJ2012].....	186
Table 5a: Average costs of fixed-dome biodigesters [HEG2007] .....	189
Table 5b: Cost of a 6 m <sup>3</sup> fixed-dome biodigester [adapted from HUB2007] .....	190
Table 6: Resource use and energy provision [adapted from RAK2013; SNV2006] .....	191
Table 7: Critical success factors .....	207
Table 8: Digester size, resources and energy provision.....	217
Table 9: Contents of four general training sessions.....	219





## List of Abbreviations

ABPP	African Biogas Partnership Programme
ACCES	Africa Clean Cooking Energy Solutions
AGIR	Global Alliance for Resilience Initiative
ARAFAT	Réseau des Associations Aliniha Autogérées des Femmes de Tambacounda
ARC	African Risk Capacity Insurance Company
ASER	Agence Sénégalaise d'Electrification Rurale (Senegalese Rural Electrification Agency)
AVSF	Agronomes et Vétérinaires Sans Frontières (Agronomists and Veterinarians without Borders)
BMP	Biological Methane Potential
C/N Ratio	Carbon to Nitrogen Ratio
COCC	Code des Obligations Civiles et Commerciales (Civil and Commercial Obligations Code)
CERER	Centre d'Études et de Recherches sur les Énergies Renouvelables (Centre for Study and Research in Renewable Energy)
CFAA	Country Financial Accountability Assessment
CFA Franc	Franc de la Communauté Financière d'Afrique (Financial Community of Africa Franc)
CGQA	Centre de Gestion de la Qualité de l'Air (Air Quality Management Center)
Ci-Dev	Carbon Initiative for Development
CIER	Comité Interministériel sur les Energies Renouvelables (Interministerial Committee on Renewable Energy)
CIRAD	Centre de coopération internationale en recherche agronomique pour le développement (Agricultural Research Centre for Development)
CIVD	Comité intervillageois de développement (Intervillage Council for Development)

CNRA	Centre National de Recherche Agronomique (National Center for Agronomic Research)
CNTS	Confédération Nationale des Travailleurs du Sénégal (National Confederation of Senegalese Workers)
COMNACC	Comité National sur les Changements Climatiques (National Committee on Climate Change)
CPAR	Country Procurement Assessment Report
CUIMES	Comité Intersectoriel de Mise en œuvre des Synergies entre le Secteur de l'Énergie et les autres Secteurs Stratégiques pour la Réduction de la Pauvreté (Inter-sectorial Committee for the Implementation of Synergies between Energy and other Strategic Sectors)
CVD	Comités Villageois de Développement (Village Council for Development)
DAGAT	Direction des Affaires Générales et de l'Administration du Territoire (Directorate of General Affairs of the Territorial Administration)
DGIS	Directorate General for International Cooperation
DHCD	Direction des Hydrocarbures et des Combustibles Domestiques (Directorate of Hydrocarbons and Domestic Fuels)
ENDA-TM	Environment Development Action Tiers Monde (Environment Development Action in the Third World)
ENSUT	École Nationale Supérieure Universitaire de Technologie
ERPA	Emissions Reduction Purchase Agreement
ETHEC	Entreprise des Travaux Hydrauliques et de Construction
FMP	Community Forest Management Plan
FONSTAB	Fonds d'appui à la stabulation (Support fund for animal sheds)
GHG	Greenhouse gas
HIVOS	Humanistisch Instituut voor Ontwikkelingssamenwerking (Humanist Institute for Cooperation with Developing Countries)

HRT	Hydraulic Retention Time
IEA	International Energy Agency
INDC	Intended Nationally Determined Contribution
IRENA	International Renewable Energy Agency
ISRA	Institut Sénégalais de Recherches Agricoles (Senegalese Agricultural Research Institute)
LOASP	Loi d'Orientation Agro-Sylvo-Pastorale (Framework Law on Agroforestry and Pastoralism)
LPDSE	Lettre de Politique de Développement du Secteur de l'Énergie (Energy sector development policy letter)
LPG	Liquefied petroleum gas
LPSSCD	Lettre du Politique du Sous-Secteur des Combustibles Domestiques (Domestic fuels sub-sector policy letter)
NAMA	Nationally Appropriate Mitigation Action
NGGP	National Good Governance Programme
NISDEL	Nouvelle Initiative Sectorielle pour le Développement de l'Élevage (New Sectoral Initiative for Livestock Management)
OFMSW	Organic Fractions of Municipal Solid Waste
PERACOD	Programme pour la Promotion des Énergies Renouvelables, de l'Électrification Rurale et de l'Approvisionnement Durable en Combustibles Domestiques (Programme for the Promotion of Renewable Energy, Energy Efficiency and Access to Energy Services)
PNA	Plan National d'Adaptation (National Adaptation Plan)
PNAE	Plan National d'Action pour l'Environnement (National Action Plan for the Environment)
PNB-SN	Programme National de Biogaz Domestique (National Biogas Programme of Senegal)
PNDE	Programme National de Développement de l'Élevage (National Programme for Livestock Development)

PRACAS	Programme d'Accélération de la Cadence de l'Agriculture Sénégalaise (Acceleration Programme for Senegalese Agriculture)
PROGEDE	Programme pour la Gestion Durable et Participative des Energies Traditionnelles et de Substitution (Sustainable and Participatory Energy Management Project)
PSE	Plan Sénégal Émergent (Emerging Senegal Plan)
RC	Communauté Rurale (Rural Community)
SIE	Système d'Information Énergétique du Sénégal (Energy Information System of Senegal)
SNV	Stichting Nederlandse Vrijwilligers (Netherlands Development Organisation)
SPNAB	Stratégie et le Plan National d'Action sur la Biodiversité (National Plan on Biodiversity)
UFZ	Umweltforschungszentrum Leipzig-Halle (Centre for Environmental Research Leipzig-Halle)
UNFCCC	United Nations Framework Convention on Climate Change
USFS	United States Forest Service
UNSAS	L'Union Nationale des Syndicats Autonomes du Sénégal (National Association of Senegalese Union Workers)
USAID	United States Agency for International Development
VFA	Volatile fatty acids
WTP	Willingness to pay

## **Abstract**

Access to clean cooking fuels is a basic prerequisite for poverty alleviation and an area of great global inequity. In Sub-Saharan Africa alone, 850,000 million people still rely on traditional cooking fuels, leading to detrimental effects on the environment, economic productivity, human health, education and gender equality [IEA2017; GAY2007]. Tambacounda, Senegal is one of the rural regions particularly affected. The development of domestic biogas technology in the last few decades presents an opportunity to improve rural livelihoods while generating an affordable and sustainable source of clean cooking fuel and lighting. In this work, an analysis was undertaken to describe the best approach for installing equitable, environmentally sustainable, and independently manageable domestic biodigester programs in rural Tambacounda. Critical success factors were identified through a PESTEL analysis and four semi-structured interviews, in order to identify the most relevant features of the region in the context of biogas technology. These success factors were then used to create an adapted protocol for implementing a biogas program. The recommendations outlined in this work can contribute to the success of future biogas programs and benefit rural communities in the long-term, while promoting the development of a much-needed clean energy sector in Senegal.



# 1 Introduction

## 1.1 Energy Poverty in Sub-Saharan Africa and Senegal

According to the United Nations, energy poverty can be defined as “the inability to cook with modern cooking fuels and the lack of a bare minimum of electric lighting to read or for other household and productive activities at sunset” [GAY2007]. By this definition, 1.1 billion people around the world who lack access to electricity, as well as 2.8 billion people who rely on biomass, coal, and kerosene for cooking, can be classified as energy poor [ibid; IEA2017].

Energy poverty is widespread in developing countries, particularly those of Sub-Saharan Africa, where roughly 600 million people remain without access to electricity and 850 million rely on traditional cooking fuels [IEA2017], leading to detrimental effects on economic productivity, health, education, communication, gender equality and the environment [GAY2007]. Until recently, this issue has been given limited attention in scientific literature [SOV2014], despite the fact that ensuring “access to affordable, reliable, sustainable and modern energy for all” (UN Sustainable Development Goal Nr. 7) is an utmost prerequisite for alleviating poverty and improving living conditions for the world’s poor [BRE2014].

The Republic of Senegal in West Africa, bordering Mauritania, Mali, Guinea, Guinea-Bissau as well as Gambia, is one of the countries especially affected by energy poverty [SEC2007]. The country spans the area of 196,712 km<sup>2</sup> and is geographically and politically divided into 14 regions [ANS2017] that are inhabited by 15,411,614 people, with 56 % living in rural areas [WB2016]. The nation’s economy relies heavily on agriculture, while other important industries include tourism, phosphate mining, fertilizer production, commercial fishing for exports and craftwork [BLO2014; WIS2015]. Senegal has experienced steady economic growth for the last 10 years due to increasing exports and competitiveness as well as structural reforms, making it one the best-performing economies of Sub-Saharan Africa, expected to achieve an economic growth rate of 6.9 % by 2018 [WB2017].

Despite the economic upturn, Senegal continues to experience high levels of multidimensional poverty and low levels of human development [UND2016]. Access to basic needs such as electricity is severely limited, especially in rural areas [WB2014]. Additionally, roughly 90 % of Senegal’s rural population rely on traditional solid fuels such as charcoal and firewood for cooking [BLO2014]. The lack of access to energy and clean cooking fuels particularly affects women and children, who are largely responsible for the collection of firewood and preparation of meals, exposing them to particulate matter emissions at a notably higher

rate than men, and resulting in high levels of illness and premature death due to indoor air pollution [SEC2007; PUT2015; BLA2006].

These challenges require multi-level approaches on various scales. While policies and international agreements can provide the framework for improvements, they do not always reach impoverished rural areas [SUB2011]. Bottom-up solutions that are sensitive to local conditions must also be developed and implemented [WU2015].

## **1.2 The Biogas Sector in Sub-Saharan Africa: A Brief Overview**

Biogas energy is a renewable form of energy that presents a tremendous opportunity for sustainable development and decentralized energy production for rural and agricultural communities. A key benefit of biogas production is its ability to regenerate waste outputs into valuable inputs in our energy system, thus creating a closed-loop cycle. Furthermore, this renewable energy enables substantial reductions in GHG emissions, produces a byproduct that can be used as nutrient-rich organic fertilizer, and offers a new avenue for creating sustainable waste management systems. Depending on the type of installation and number of end-users, biogas energy can be used for electricity, space heating, cooling, and cooking. It can be installed in larger commercial and industrial systems (including combined heat and power plants, combustion engines and generators which convert biogas energy into electricity), while the simplest household systems can provide energy directly for lighting and cooking, without needing to convert the biogas to mechanical energy [AMI2012]. Currently, household digester systems are the most widely used type of biogas system in Sub-Saharan Africa, with animal waste being the primary raw material [ibid]. Furthermore, warm temperatures in the sub-Saharan African climate permit ideal temperature conditions for domestic biogas digesters. By recycling widely available agricultural materials or animal waste into clean energy for cooking and lighting, domestic systems continue to empower communities in lower socio-economic sectors (where energy grid systems and access to electricity are otherwise absent) to manage, utilize and distribute their own local sources of clean energy.

## **1.3 Biogas in Senegal: Opportunities Abound**

Senegal has the opportunity to develop a thriving biogas sector. Thus far, many independent reports have confirmed that there is high potential and feasibility for domestic biogas in the country [HEG2007; SNV2013]. The first assessment of domestic biogas potentials in Senegal was conducted by Heegde and Sonder [HEG2007], who estimated the potential for 439,000 installations nationwide, based on calculations of the total sum of cattle per household and access to water. More recent feasibility studies that followed determined the nationwide potential



to be between 175,000 to 400,000 installations [HEG2007]. Furthermore, based on the sheer amount of cow manure produced in the country alone (producing upwards of 1,691,135 tones of dry matter per year), households in Senegal would have a consistent supply of raw material to support such decentralized biogas units [BA2017]. A report by SNV [SNV2013] estimated that there is a potential market for biogas units in 350,000 households that collect more than 30 kg of cow manure per day.

However, although many rural households in Senegal fulfill the requirements needed for a domestic biogas installation (primarily consisting of access to water and sufficient amounts of cow manure), few successful developments have been implemented [HEG2007]. With fewer than 600 biodigesters installed in the country at the end of 2013, progress in sustaining domestic biogas programs within the country has been underwhelming [BLO2014; SNV2013; FAL-N.D.; MPE2015].

## **1.4 Past and Present: Biogas Development in Senegal**

### **1.4.1 Biogas from the past: A brief history of the biogas sector in Senegal**

Biogas technology in Senegal can be traced back to 1977, when two floating biogas digesters were installed by the Caritas Senegal NGO in Ndiouk Fissel, followed by the installation of seven fixed dome plants in 1989 [HEG2007]. Both projects were installed for demonstration purposes only, and the majority of domestic installations from this time are no longer operational [ibid]. Other biogas installations that existed at this point were either used for industrial applications or R&D [ibid]. Biogas units during this time were installed by organizations including Environment Development Action in the Third World (ENDA-TM), École Nationale Supérieure Universitaire de Technologie (ENSUT), Centre National de Recherche Agronomique (CNRA), the Centre for Study and Research in Renewable Energy (CERER), Agricultural Research for Development (CI-RAD) and Senegalese Agricultural Research Institute (ISRA) [HRU2011]. Subsequent attempts to realize the domestic biogas potential in Senegal at this time were predominantly unsuccessful.

Large scale domestic biogas programs were nearly nonexistent in the country up until 2007 [HEG2007]. To promote the biogas sector, the government of Senegal launched the National Biogas Programme in Senegal (Le programme national de biogaz domestique du Sénégal, or PNB-SN) in 2010, with its pilot phase lasting until 2013 [HRU2011]. Most of the installations from this point onwards were supported by international partnerships between PNB-SN and organizations such as SNV, AVSF, and ETHEC [BLO2014; SNV2013; FAL-N.D.; MPE2015]. The

focus area of the national program was to develop domestic biogas in the Groundnut Basin, more specifically surroundings of Fatick, Kaolack, Kaffrine and peri-urban zone of Dakar, targeting villages on the household level instead of industrial applications [HRU2011].

The program was started in the rural region of Kaolack, where locals were trained as construction workers to help with the installation of the biodigesters used for cooking and lighting [KER2011]. The initial goal was to install 350 biodigesters by the end of 2010, reaching 8,000 installations by 2013 [ibid]. The model that was being installed during the program was the fixed dome digester, which had already been proven to be successful in Burkina Faso, Rwanda, and several Latin American countries [ibid]. The size of the biodigester varied from 4 to 12 m<sup>3</sup>, depending on the size of the household [ibid]. However, only 587 biodigesters out of 8,000 planned units were installed in the four-year period between 2010 and 2013 [WIL2015]. By 2015, this number amounted to 1,000 biodigesters [ibid]. According to Matar Sylla, coordinator of the National Biogas Program, the reasons for the poor success could be attributed to financial and technical issues, with the lack of capital being the main obstacle [WIL2015; KER2011]. The high initial installation costs of the biogas plants were also seen as a major barrier preventing the distribution of biogas installations in the rural areas of Senegal both before and throughout the duration of this phase [HRU2011; ADI2011].

When the program was initiated, the government announced that the subsidies would cover 50 % of the price of the first 100 pilot biodigesters, followed by a 25 % contribution for the remaining 7,900 biogas plants [PNB2010]. In 2011, the financial aid of the state covered between 35-50 % of the set-up costs [KER2011; ADI2011], which still required households to provide around 300,000 CFA francs<sup>1</sup> [KER2011]. On the other hand, according to Sylla in 2015, the cost of two different types of biodigesters that were being installed ranged from 449,773 CFA francs to 728,300 CFA francs, with the government financing up to 35 % and the beneficiaries of the program having to cover the remaining 65 % [WIL2015].

Although the expenditures were cut down with the introduction of smaller bricks during the construction of the digesters, the financial burden still remained one of the main barriers [KER2011]. Studies have shown that rural households with an income of 150,000 CFA francs could not afford to invest into the installation of the biodigester for their own needs [WIL2015]. They could have taken a loan from the bank, however, the interests rates would have ranged from 12 to 24 %, still making it unaffordable for the targeted households to invest in the installa-

---

<sup>1</sup> € 1 EUR = CFA 655,96 XOF (January 2019)

tion [ibid]. Furthermore, due to insufficient government resources to support peanut agriculture in 2010-2011, a large portion of harvests went unsold, resulting in a decrease in buying power of agricultural households [SNV2013]. The absence of biogas credit associations further deepened the financial constraints and limited the implementation success of the program [ibid]. Several technical constraints also led to the failure of the program, including water shortages, incompatible livestock management practices, and lack of appropriate training [WIL2015]. Furthermore, household owners did not handle the equipment for the energy production and fertilization appropriately [ibid]. Customers did receive the introductory training by the members of the program, however, no guidance on how to maintain the biodigesters in the long-term was given [KER2011]. Possible concerns regarding technical aspects were already discussed by Heegde et al. [HEG2007]. They identified insufficient masonry competences among the inhabitants.

Moreover, PNB-SN was initially part of the African Biogas Partnership Programme (ABPP) that was implemented in six countries [SNV2013]. The African Biogas Partnership Programme allowed PNB-SN to receive financial support from the Netherlands Ministry of Foreign Affairs (DGIS), while technical support was provided by SNV, and project management was allocated to the International Humanist Institute for Cooperation with Developing Countries (Hivos) [ibid]. However, Hivos, SNV and DGIS all decided to stop supporting the program in Senegal in June 2012 as the costs proved to be too high compared to the actual results obtained [ibid]. Although the expenses were minimized by 30 % during the initial installation of the biodigesters, the main problem proved to be the slow rate of the progress with only fourteen biogas plants being installed in the first year of the program [ibid]. The excessive delays in the project implementation were caused by the government's decision to change the initial implementing organization of the program from the Agence Sénégalaise d'Electrification Rurale (ASER) to the Ministry of Energy [ibid]. The decision to terminate the ABPP in Senegal was also caused by many institutional failures reported within the Ministry of Energy, which led to a lack of support for the program-implementing associates, and consequently, little progress in the real sector [ibid].

#### 1.4.2 Current state of the national biogas program

In light of this history, the government of Senegal is now on its way to developing stronger support and financial infrastructure to accelerate biogas development in the country. The second phase of the PNB-SN was initiated on the 11th of April 2015 in the village of Koutal, and aims to install 10,000 domestic biodigesters in rural homes by 2019 (2 % of all agricultural households), with a primary focus on bringing clean cooking and lighting access to rural communities [WIL2015;

BA2017; MPE2015]. These initiatives were planned to be financed in partnership with the government of Senegal, the European Union and other partners [WIL2015]. For the second phase, the government has committed to subsidizing up to 80 % of the installation costs [ibid]. As outlined in the program, at least 500 biodigesters are planned to be installed in households, schools and *daaras* (Koranic schools) in the region of Tambacounda, which could lead to the production of 26,000 tons of fertilizer per year [\*500 BIO-DIGESTEURS'2016]. Although the government-run program did not achieve its goals in the first phase of the program, its ambitious new targets indicate that the country is strongly in favour of pursuing biogas for sustainable energy production and clean cooking fuels. Ultimately, the present circumstances in the country offer encouragement and an incentive for international NGOs and biogas developers to implement rural domestic biogas programs in the country. Furthermore, new biogas programs in the country would be poised to have a positive influence on the success and long-term sustainability of the biogas sector and the country's sustainable development targets.

## **2.5 The Case for Biogas in Rural Communities of Tambacounda, Senegal**

Tambacounda is the largest geographic region in Senegal, covering an area of 42,706 km<sup>2</sup> [ANS2015]. It is home to 783,777 inhabitants and has a population density of 18 per km<sup>2</sup> [ANS2013]. About 84 % of Tambacounda's land area is rural [HEG2007]. The economy is thus primarily based on agriculture, which employs about 75 % of the workforce [BLO2014]. The region is home to many communities skilled in livestock management, as it has wide pasture ranges [ibid]. Tambacounda is subdivided into fifty local authorities, four departments and forty-six communities [ANS2015], and remains to this day one of the poorest and least developed regions in the country [ANS2013]. The most recent research by the National Agency of Statistics and Demography revealed that 62.5 % of Tambacounda's population live below the poverty line [ibid]. Rural communities in Tambacounda are thus particularly vulnerable to the effects of polluting cooking fuels, with 95 % of rural households reporting health problems related to indoor air pollution [BLO2014]. As the primary region is involved in firewood and charcoal production, substantial economic pressure to promote domestic consumption drives environmental degradation [WIS2015]. A report by Practical Action Consulting for the Africa Clean Cooking Energy Solutions (ACCES) recommends a greater focus on implementing biogas use in the region of Tambacounda, while additional surveys demonstrate that villagers in this region have expressed an explicit demand for biogas [BLO2014]. The rural community (RC) of Koulor has been chosen as a representative region in Tambacounda that could greatly benefit from a domestic biogas program, if carried out correctly. The RC

of Koulor is located in the greater Koulor district, within the Goudiry Department of southeastern Tambacounda. As of 2015, there were 12,920 inhabitants in the rural community clustered into forty-five smaller villages [SEM2011]. Due to the large land area and number of cattle, the population is primarily involved in agriculture and livestock production [ibid]. Despite significant demand, the RC of Koulor has no access to clean cooking fuels, suffers from poor sanitation, and does not have access to grid electricity [ibid].

Achieving further access to clean cooking fuels and lighting with a domestic biogas program in Tambacounda is an important way to alleviate poverty and improve the living conditions for all, especially women and children. The aim of this contribution is therefore to provide a strategy that is specifically tailored to implementing a sustainable domestic biogas program in villages of Tambacounda such as the RC of Koulor. With this bottom-up approach, we highlight the importance of understanding the political, economic, social, technical, environmental and legal considerations at the utmost local level to create the best possible outcomes for the community. Given the poor development in this sector and the region's high suitability, considerable attention is paid to understanding how failures and limitations from previous biogas programs can be circumvented, and to incorporating these lessons into a strategy that prioritizes long-term success, technical knowledge transfer, and equitable community development.



## **2 Methodology**

### **2.1 Research Objective**

The research objective of this work is to provide a holistic and integrative strategy for developing domestic biogas projects in rural villages of Tambacounda, Senegal. Furthermore, this paper aims to emphasize the development of technical skills and an understanding of the technology by the local communities, so as to promote the growth of the private sector in the region. With these objectives, we aim to address and answer the following research question:

*What strategies can be used to implement an equitable, environmentally sustainable, and independently manageable domestic biogas program in rural Tambacounda, Senegal?*

To answer this question, a strategy consisting of major recommendations was devised. These recommendations have been developed through the analysis of primary and secondary research. It is an important objective to characterize the local and regional factors in order to develop meaningful results. Our recommendations are therefore specifically adapted for biogas projects in small communities in Tambacounda, with the RC of Koulor being a particularly suitable region. An analysis of this RC provides valuable data and detailed documentation of livestock and local living conditions from many small settlements, thus giving valuable insight and a broader understanding of life in rural Tambacounda. Thus, the recommendations outlined in the results would be appropriate for stakeholders interested in developing a biogas project within Koulor, however, they can be applied on a wider scale for other projects in rural Tambacounda.

This work is intended for members of organizations, governments or businesses involved in renewable energy and rural development projects who have preliminary experience in implementing domestic biogas projects in rural regions of Sub-Saharan Africa. The strategy outlined in this work is not exhaustive, but aims to provide relevant guidance that will complement other technical installation guidelines, business strategies, operations and implementation manuals. Ultimately, it serves as an important tool for understanding local and context-specific factors that should be considered when designing and executing a sustainable domestic biogas development project in the selected region.

## **2.2 Research Design**

In order to determine the most important considerations when implementing a domestic biogas project in rural Tambacounda, two research methods were applied. First, a PESTEL analysis was conducted through the literature research to establish a comprehensive framework assessing the state of political, environmental, social, technological, legal and economic conditions in the region. Subsequently, in order to collect additional information that could not be obtained during the literature review, four semi-structured interviews were conducted. Finally, a recommendation strategy was developed based on the results of primary and secondary research. The holistic strategy provides critical advice for increasing the long-term independence and sustainability of biogas projects in rural Tambacounda, and contains recommendations which address the most important, region-specific factors.

### **2.2.1 PESTEL analysis**

A PESTEL analysis is an analytical framework which main purpose is to assess the potential effects and most crucial factors of the external environment on a given research activity or undertaking, and vice versa [ALL2001; BAS2004]. It categorizes the key aspects into political (P), environmental (E), social (S), technological (T), economic (E), and legal (L) conditions [BAS2004]. In this research work, the chosen PESTEL criteria are focused on relevant issues that should be taken into account when developing an effective strategy for the implementation of a sustainable domestic biogas program in the villages of Tambacounda.

### **2.2.2 Semi-structured interviews**

In order to confirm the findings from the literature research and to get a deeper insight into the relevant topics, four semi-structured interviews with a diverse group of experts were conducted. The interviewees were chosen based on their area of expertise, and represent a diverse group from both academic and non-academic fields. The interviewees were contacted via phone or Skype, and asked about several aspects concerning domestic biogas implementation in Tambacounda. All the interviews were recorded, transcribed, translated if necessary, and implemented as required. The main details of the interview have been summarized in Table 1.



**Table 1: Summary of interviewees and relevant information**

Interviewee	Occupation	Date of Interview	Additional Details
Stefano Mason [MasonAVSF, 2017]	AVSF Employee	Dec. 5, 2017	Involved in domestic biogas project in the region of Ferlo, Senegal
Karl Wurster [Wurster, 2017]	USAID Employee	Dec. 15, 2017	Completed dissertation on charcoal production in Tambacounda
Daniela Thrän [Thrän, 2017]	Researcher at UFZ and Leipzig University	Dec. 15, 2017	Working in the field of bio-energy systems
Lamine Ndiaye [Ndiaye, 2017]	Thecogas Director	Dec. 18, 2017	Involved in rural biogas projects and electrification in Tambacounda

### 2.2.3 Results

In order to formulate the final results, a list of critical success factors were identified from the PESTEL analysis and interviews. The critical success factors describe important features about our area of interest and provide context-specific information relevant to implementing a biogas program. Critical success factors were selected from the analysis so long as they met one of the following three conditions in order to meet the described research objective:

- The factor conveys key information about local conditions in the RC of Koulor or Tambacounda, and enables a specific recommendation to be justified.
- The factor was revealed through information obtained during the interview process, and enables a specific recommendation to be justified.
- The factor identifies a potential area of weakness based on the analysis of previous domestic and international biogas projects, whereby alternative steps could be justified to improve future outcomes.

Finally, a recommendation strategy with multiple categories was formed on the basis of the critical success factors, aiming to provide a comprehensive overview of the key steps that should be taken to address these factors while implementing a sustainable long-term biogas project. It should be noted that although the data presented in this study is primarily specific to the RC of Koulor, it can generally be applied to any rural village of Tambacounda. However, since local conditions may vary from village to village, further analysis of local factors is recommended when assessing the feasibility of biogas in other villages.



### **3 Analysis**

#### **3.1 Political Factors**

##### 3.1.1 Political power and governance structures

Senegal is one of few existing democratic states in Sub Saharan Africa [FHR2017]. It is home to a multi-party system and has, unlike many other Sub-Saharan countries, never experienced a coup d'état [HEG2007].

Corruption and a lack of transparency in public affairs and governmental contracts are nonetheless widespread in Senegal [USA2007] and continue to face little backlash or accountability from the public and government representatives alike [ibid]. This affects public spending, private foreign- and domestic investments in the energy sector, as well as regulations regarding resource use [ibid]. While citizens are widely satisfied with the democratic rights given to them, the high concentration of power in the executive branch and the abuse of said power remains a serious problem [ibid]. Executive decisions, government expenditures and operations are insufficiently monitored and lack transparency. This has repeatedly led to malfunctioning and weaknesses in Senegal's present governance system [IMF2013].

The Senegalese parliament has restricted decision-making capacities, making it difficult to monitor budgeting, spending, as well as policy outcomes [ibid]. The legal and public administration systems are characterized by several inefficiencies and have had few significant reforms [ibid]. Some of these include difficulties in coordination and communication between different actors of the private and public sphere, the weak enforcement of rules and regulations, slow procedures, and limited access to information and public services for the general public [ibid]. Some of the political power has been decentralized to regional authorities, which has not been without difficulties [ibid]. Insufficient operationalization of policies, laws, and plans, specifically regarding land use, as well as a lack of consultancy with local communities when carrying out development projects and plans have posed barriers to establishing successful governance on a local level [ibid].

Local-level institutions have been selected and acknowledged by higher-level institutions through the transfer of power, assistance in projects and involvement in establishing agreements. These rural councils were recently established through the decentralization processes in the late 1990s with the goal of giving local communities more autonomy from central powers [JUS2015; FAY2006]. They have been delegated certain rights, such as managing access to natural re-

sources [POS2003]. This is particularly important for regions such as Tambacounda, where the population relies heavily on charcoal production, and other income-generating work opportunities are rather scarce [JUS2015].

The decentralized political authorities are arranged in hierarchical order, beginning with the governor of a region, followed by the prefect of a department, the sub-prefect at the district-level and the village chief at the village-level [FAY2006]. In institutional terms, two organs exist: the rural council and the president of the rural council. The council is elected by vote, half by majority, half by proportional vote. After the council has been appointed, it is in charge of electing a president and two vice-presidents [ibid].

The first rural councils in Tambacounda were established in 1984 [POS2003]. The sub-prefects are responsible for providing assistance to rural communities, especially in regard to developmental activities [ibid]. They are delegated by the president of the rural council, whereupon they represent all ministries and are in charge of approving decisions of the rural council [ibid].

The statutes and functions of the village chiefs, traditionally male, are specified by decrees, which have been adapted over time. Their political powers are essentially reduced to collecting the rural tax and any other communal revenues. Additionally, they are in charge of resolving conflicts as well as of ensuring the application and compliance with laws and regulations [FAY2006]. The village chief does not normally hold a seat in the rural council [POS2003]. However, both village chiefs and rural councils may take on additional tasks and responsibilities as defined by customary law. Customary practices and informal law guide the everyday life of the villagers and are considered to have equal or sometimes even higher importance than national law and state institutions [USA2010].

The decentralization process was intended to reduce the concentration of power by setting up state representatives in administrative and territorial constituencies. However, these reforms were not democratic, and the power and financial resources transferred to locally elected governments were often insufficient [JUS2015]. Another issue was that local political entities such as rural councils were poorly equipped to handle their new responsibilities, with high levels of illiteracy presenting a major barrier, resulting in increased reliance on external aid coming from international donors and development agencies [POS2003; USA2008].

### 3.1.2 Civil society and private sector involvement

Civil society and private sector involvement in energy and other development projects has been hindered by a lack of access to and transparency of information on public finance, projects and programs as well as the non-existence of an intact

consultation scheme [IMF2013]. This has been validated by interviewee MasonAVSF [2017]:

“The lack of engagement and actual funding pushed some NGOs like SNV to stop their programs and withdraw because none of the promises were fulfilled. But still with the official information saying that the program is up and running, one can wonder where the funding is actually going”.

The inefficiency and lack of transparency of local power structures pose significant barriers to realizing development projects in rural areas [JUS2015]. When international donors and agencies are involved, access to resources and aid is therefore often restricted by numerous conditions. Ensuring the integrity of beneficiaries and employing accountability mechanisms can contribute to the success of developmental projects and increase trust in institutional support [ibid]. Interviewee MasonAVSF [2017] explained:

“[...] it had to be families that we can trust, that can bring us guaranties that they will use the device properly, families known and recognized in the community who we have information about since it's been a long time that we have started working there (...). We did ask them to sign a contract binding them to the association as a mark of guaranty [...]“

Since development projects have become more participatory, donor agencies align their projects with local governing bodies. This change has increased the potential for citizens to participate and voice their opinions, provided they are informed on a regular basis [JUS2015].

A system of village committees for development (CVD) was created in the late 1990s, consisting of village chiefs and representatives of local interest groups and organizations [POS2003]. They cover four to five villages and collect concerns and questions of CVDs through the inter-village committee for development (CIVD), which are then reported to the rural councils, potentially leading to the social mobilization of the community for active participation in local development [ibid].

Community organizations also exist in the vicinity of the RC of Koulor. One example is the Arafat association, a partner of the Malian organization Aliniha, which aims to integrate women in the process of economic, social and cultural and environmental development to improve their living conditions. Within Arafat, six self-managed sub-groups carry out project activities ranging markets and gardens to producing soaps and recycling plastic. The association is also partnered with the micro-finance institution Jekabara, which provides financial support to local initiatives [PF2018]. Village committees for development and community organizations such as Arafat can play a significant role in spreading

awareness and acceptance of renewables, specifically biogas, in and beyond rural communities like Koulor.

### 3.1.3 Political commitment toward renewable energies

Senegal has actively constructed a multi-layered energy policy framework, underlining its commitment to promoting renewable energies [IRE2013]. The government signed the Statute of the International Renewable Energy Agency in 2009 [ibid]. Additionally, improving access to electricity and energy for clean cooking was one of the main objectives of Senegal's poverty reduction strategy [ibid]. Finally, the Senegalese government remains committed to implementing the Sustainable Development Goals and has ratified several international conventions concerning environmental conservation, human rights, labor matters and transparency initiatives [NEA2017].

The major stakeholders in energy policy and projects aiming to provide clean energy for cooking are the council of ministers (responsible for major decisions regarding energy and grid electricity), the inter-ministerial committee on renewable energy (CIER), the Ministry of Energy, the Ministry of Renewable Energy, the inter-sectorial committee for the implementation of synergies between energy and other strategic sectors (CUIMES) as well as other research and financing institutions [IRE2013].

The National Biogas Programme is a two-phased program by the Senegalese government aimed at promoting renewable energy development [IEA2017]. It was launched on December 30th, 2009, by the Ministry of Energy and Directorate of Hydrocarbons and Domestic Fuels (DHCD) as a multi-sectoral policy framework to improve the self-sufficiency of rural households, increase energy diversification, and reduce poverty [ibid]. Under Article 2 of the Ministerial Order No. 12100, the objective of the program's first phase was to promote the development of the biogas sector in domestic applications, and to install 8,000 biodigesters from the period of 2009-2013 in the Groundnut Basin and peri-urban region of Dakar [PNB2010]. Article 3 delegates the executive activities of the program to the National Coordination Office, which is comprised of a national coordinator, financial officer and assistant, engineers and technical specialists, marketing and communication staff, and support staff [ibid]. Article 4 and 5 delegate the roles and responsibilities of the National Steering Committee, which is responsible for overseeing the annual budget, creating an implementation strategy, and ensuring consistency and continuity with other existing policies [ibid]. Article 6 and 7 state that the management and financing of the program will require close coordination between the program leaders and international funding partners, SNV and Hivos [ibid]. The second phase of the program spans from 2015 to 2019 and has been

led by the aim of installing 10,000 biodigesters throughout the country [MPE2015].

The targets initially set in the program's first phase were not met due to issues previously discussed. Based on the governance framework, there are few policy instruments laid out for maintaining operability, monitoring, and enhancing the technical capacity necessary to grow the biogas sector in the country. In this regard, the lack of an established framework for maintaining long-term biogas installations raises serious concerns as to whether the National Biogas Program can be effectively implemented in the long run. From the perspective of international biogas implementation partners, the National Biogas Program has maintained a poor reputation for reliability and capacity to handle such high installation targets outlined in its framework [MasonAVSF, 2017]. Nonetheless, there have been efforts for Nationally Appropriate Mitigation Action (NAMA) related to domestic biogas, supported by UNEP and the Ministry of Environment, which will again support ambitious targets related to the installation of domestic digesters [MAR2016]. However, this strategy has yet to be formally approved on a national and international level [ibid].

The government has also created programs supporting agricultural activities and biofuels such as the Return to Agriculture Programme and the Specific Biofuel Programme. Finally, PERACOD, the program for the promotion of renewable energies, rural electrification and sustainable supply in domestic fuel is a cooperation between the Senegalese government and European development partners [IEA2017]. It is currently managed by the Ministry of Energy and supports the development of rural energy access through improving policies, strengthening institutions and investing in rural electrification projects [ibid]. Additionally, the Senegalese government has established an investment code, providing tax benefits and favorable investment conditions to those creating new businesses, provided they offer employment opportunities and are located in an underdeveloped area of the country [IRE2013]. This investment code could therefore incentivise the development of a private biogas sector.

Clean cooking initiatives are mostly carried out by the government with the financial support of international institutions, such as the World Bank, the African Development Bank and the government of the Netherlands, while private sector engagement is rather scarce [BLO2014]. Two main policy instruments are related to the biogas sector. The Lettre de Politique de Développement du Secteur de l'Énergie 2012 (LPDSE) is an energy policy created to increase household access to modern energy services. The Lettre du Politique du Sous-Secteur des Combustibles Domestiques 2010 (LPSSCD) is a policy aiming to improve long-term supply of household cooking energy, with specific objectives to reduce forest exploitation and improve forest management [ibid].

The political commitment and institutional framework provided by the Senegalese government and its regulatory bodies appear to provide favorable conditions for implementing biogas projects, as suggested by interviewee Ndiaye [2017]:

“Since biogas is a renewable energy governed by a regulatory framework in Senegal and given the existence of the PNB, there have been no difficulties or constraints (in setting up biogas projects). The diffusion is more difficult, that’s something else. Because the state is more sensitive to solar than to biogas.”

However, as previously mentioned, barriers have been observed, such as the inability to acquire sufficient government funds or public investments in the energy sector [IRE2013].

#### 3.1.4 Environmental governance

Senegal’s environmental policy framework consists of several action plans and initiatives. The National Action Plan for the Environment (PNAE) is a strategic framework for environmental planning, which is run by the Senegalese government. The Sectoral Policy Letter for the Environment (*La lettre de politique sectorielle de l’environnement*) reviews the conditions of environment and natural resource use in order to align national policy with sustainable development targets. Additionally, policies on production and consumption patterns as well as water and sanitation have been established [SEN2009]. The management of rural forests, specifically important to the livelihood of the Tambacoundan population, is regulated through the 1998 forestry code, which has transferred some forest management rights and the harvesting of timber to local authorities [JUS2015]. Important actors in this area are the World Bank, USAID and their implementing agencies, as well as the Government of Senegal’s Ministries of Energy, Finance and Environment [ibid].

In order to ensure that the forest is used in a sustainable way, USAID collaborates with the United States Forest Service (USFS), the government of Senegal, and rural communities, including the RC of Koulor, to set up the management plans for the community forests (FMPs) [USA2008]. Although initially some locals were reluctant to accept FMPs, fearing that too much grazing area would be lost, they later agreed to the ecological benefits of the plans and accepted their implementation [ibid].

Despite the fact that decentralization has shifted local power balance from traditional towards modern institutions, dynamics in extraction practices have not undergone any significant changes [POS2003]. Patrons involved in cutting down trees for charcoal production still need to obtain permission from the rural council president and traditional leaders [ibid]. The national government’s forestry ser-



vice plays another important role, as it still holds control over the issuing of licenses and permits for cutting down trees and producing charcoal [POS2003; WUR2010].

The health of local forest ecosystems is still largely vulnerable to the extensive illegal cutting of the trees and charcoal production, which are usually ignored by the council representatives, since they partake in and financially benefit from these practices [POS2003]. One of the first approaches to promote more sustainable management of forests in the 1970s included the introduction of fixed charcoal quotas and a limitation of the charcoal production period to a few months during the dry season, which was intended to lead to a change in farmers' practices [USA2008; POS2003]. In general, the traditional methods of charcoal production have become more efficient, however, the overall situation has not improved significantly [USA2008]. For example, in the community forest of Koulor, charcoal production remains an environmental problem, characterized by large energy losses, which further exacerbates deforestation in the area [ibid]. In these types of rural communities there is often no guidance or incentive which would encourage operators to use more sustainable practices when producing charcoal, especially because reforestation is not seen as an obligatory action for the operators but rather as an extra source of income for those who have set up the plantations [ibid].

Overall, customary law and autonomous jurisdiction of rural communities have also led to increased awareness for sustainable land management [USA2008]. Measures are being taken by community-level organizations and youth groups to put an end to transhumance or pastoralism within their lands, a practice that contributes to loss of vegetation and deforestation [ibid]. Grassroots support for more sustainable livestock management is a key factor of success in a biogas program, as manure collection from livestock requires more sedentary (i.e. use of animal shelters) or intensified management systems [ibid]. The New Sectoral Initiative for Livestock Development (NISDEL) action plan implemented in 2004 supports livestock assets, sustainable production systems, and intensified production [SEC2016]. They have established a funding program, known as FONSTAB, to support the building of animal sheds in rural areas [ibid]. Other programs set in place include the National Program for Livestock Development (PNDE), established in 2013, which aims to support health, food availability, infrastructure and management of livestock through involvement of all stakeholders (farmers, livestock experts, private companies, and other institutions) [SEC2016]. Despite the existence of these laws, soil degradation and forest clearance have continued to damage the environment [USA2008].

Another strategy for preserving natural resources and preventing the over-exploitation of forests, bushfires and consequent deforestation in Tambacounda has been the promotion of renewable energy sources, with biogas representing an

important alternative [ibid]. According to the Colonel Papa Assane Ndiour, the regional inspector for Water and Forestry, the PNB-SN program is of high importance in the region of Tambacounda since the initiative leads to the protection of forests while allowing the region to continue its production [‘500 BIO-DIGESTEURS’2016].

Corruption is an issue that is rampant in the charcoal sector. According to Jusrut [JUS2015] “informal transactions of influence, gifts, money, and illegally manipulating administrative procedures” involve members of forest management, rural councils as well as charcoal producers. Interviewee Wurster [2017] confirmed:

“There’s always conflict with the forest departments. Forest departments [...] are known for being corrupt, and just taking advantage of the situations. And in Senegal [...], in the charcoal industry, that’s where the forest department makes a ton of money under the table. And that’s where the most amount of conflict is, [...] there’s an actual mafia ring in Senegal that controls the entire thing, but they’re very much in cahoots with the government. Because there’s a cap on the amount of charcoal that can be produced each year as a quota, and that quota typically doesn’t change much, even though demand has increased substantially. So, the black market is huge on it, and the forest department and the mafia profit from it, where the people producing it at the local level don’t at all.”

Therefore, non-state actors play an important role in environmental governance in terms of participation, control, support, advice or resistance [SEN2009].

In Tambacounda, power asymmetries and conflicts between villagers and charcoal merchants are common [WUR2010]. This is why Wula Nafaa, a USAID-funded resource management program, has assisted in creating local conventions for resource and land use, supported by state and donor agencies [FAY2017]. However, these conventions have been criticized as being created on the grounds of inequality between government, NGOs and villagers, ignoring local interests and norms [ibid]. As a result, local resistance to regulations and rules is commonplace. Sometimes, only rules matching local norms and habits are applied. Regulations that disadvantage locals in accessing resources, or that are not in accordance with local resource management techniques are rejected [ibid].

The fact that the Senegalese government is showing increasing concern for environmental issues and a commitment to improving environmental governance provides a favorable outlook for renewable energy and clean cooking projects, such as those involving domestic biogas technology.

## **3.2 Environmental Factors**

### **3.2.1 Geographical location**

Tambacounda is the largest region in the country, situated in the most eastern part of Senegal on the Sahelian plain [BLO2014; POS2003]. The terrain of the region is mostly flat with some hills in the department of Bakel [ANS2015]. Its landscape is characterized by many water bodies, with most of them being only temporary [ANS2015]. Tambacounda has a very important hydrographic network consisting of three main rivers (Senegal River, Falémé River and Gambia River) and their converging tributaries, with an annual river flow of around thirty billion m<sup>3</sup> [ibid]. Specifically, in the RC of Koulor, intermittent rivers flow into the Sandougou ponds and into the Gambia River, forming a rainwater network that allows cattle to drink for a period of six to seven months [SEM2011]. Temporary water bodies make up the largest percentage of surface waters in the RC and are widely used by the inhabitants, since the existing water infrastructure to provide water for the livestock is insufficient [ibid]. However, their existence is restricted to a short period of time and they usually dry out by December [ibid]. As a consequence, groundwater resources represent an important asset, especially during the dry season, when the surface waters become scarce [ibid]. The groundwater is dependent upon rainfall and is exploited to provide water through the use of wells [ibid].

Geographical location and environment play a major role when deciding on the design of the biodigester to be installed [GUP2014]. However, according to Amigun and Blottnitz [AMI2010], the expenses associated with biogas plants do not depend necessarily on their geographical location, since a prevailing number of small and medium size biodigesters are constructed using regionally available building materials.

### **3.2.2 Climate and weather conditions**

The region of Tambacounda has a tropical climate defined by a rainy and a dry season, which are caused by the northeast winds in the winter and the southwest winds in the summer [HEG2007]. The humid season lasts from June to October with the rainiest months being August and September, and the dry months lasting from November to May [BLO2014; ANS2015]. Tambacounda receives some of the highest levels of annual rainfall in all of Senegal [ANS2015]. The number of rainy days and the quantity of rainwater decreases going from South to North [ibid].

The average temperature in the region is approximately 29°C [CSC2016], making it suitable for biogas production. The period with the lowest temperature lasts from July to February, with a minimum average of 25-28°C and the coldest

months being December and January [SEN2009]. The period with the highest temperature is between March and June, when the maximum average temperature reaches around 29-33°C [ibid].

Water shortages, frequently encountered in the villages [Ndiaye, 2017], are one of the main limitations for optimal operation of a biodigester plant [AMI2010]. Although the availability of water may not be an issue during the rainy season, water shortages can become problematic during the dry season, especially if the water supply is far away [ORS2014]. In general, Senegal has been facing an ongoing problem of reduced precipitation and water scarcity over the years [HEG2007].

### 3.2.3 Climate change

In the past ten years, the region of Tambacounda has been greatly affected by unpredictable weather conditions with irregular rainfall, recurrent droughts and changes in the rainy season [FAL2015]. Over the last thirty years, average yearly temperatures in Senegal have increased at a rate of +0.28°C per decade [CSC2016]. The level of precipitation in the region has lowered over the same period, contributing to changes in vegetation, which in turn is further exacerbating the low rainfall [WUR2010].

Consequently, a large proportion of the forested lands in the department of Goudiry has been transformed into savannas, with the most significant change observed along the border between Goudiry and Bakel [MIL2014]. Senegal has been repeatedly affected by floods (2010, 2012, 2013) and droughts, although the latter occur on less regular basis [CSC2016]. Nonetheless, droughts have a more disastrous effect on the population (i.e. a drought in 2011 affected almost 1.3 million inhabitants in Senegal and Gambia) [ibid].

Projections for Senegal forecast an even further increase in the annual mean temperature levels by 2085, with a very likely temperature change ranging from +1.0 to +5.3 °C (see Table 2) [CSC2016]. Heat waves are expected to become longer lasting and could range from +8 to +88 days in the most likely scenario, with the duration of cold spells' reduced significantly [ibid]. Most global climate model projections also predict longer durations of dry spells and a higher intensity of heavy rainfall events [ibid]. A decrease in annual precipitation levels is expected with a significant relative change in the duration of the dry season; the most likely scope of projected change ranging from -41 to +33 % [ibid].

**Table 2: Projected temperature change [adapted from CSC2016]**

Scenario	Measure	Maximum Temperature	Minimum Temperature
All	Likely	+1.3 to +3.9	+1.3 to +4.8
	Very likely	+1.1 to +4.8	+1.0 to +5.4
Low	Median	+1.2	+1.3
	Likely	+1.0 to +1.6	+1.0 to +1.7
	Very likely	+1.0 to +1.8	+0.8 to +2.0
Medium	Median	+2.3	+2.3
	Likely	+1.8 to +2.7	+2.1 to +2.8
	Very likely	+1.7 to +3.3	+1.8 to +3.3
High	Median	+3.8	+4.8
	Likely	+3.4 to +4.8	+4.1 to +5.3
	Very likely	+3.3 to +4.8	+3.9 to +5.9
Warming thresholds	Below 2°C	+1.0 to +1.8	+0.8 to +2.4
	Above 2°C	+3.4 to +4.8	+4.2 to +5.8

The negative effects of the ongoing exploitation of ecosystems and climate change can already be seen in the process of soil degradation, which is resulting in a decline of productivity and a sharp reduction in national crop yields [ANS2015]. The latter is expected to lead to higher prices of food, which will predominantly affect poor people, making them the most vulnerable to climate change [GOL2014]. A decrease in food supply might lead to problems of malnutrition, with possible conflicts arising between livestock owners and farmers because of water and agricultural land scarcities [ibid].

### 3.2.4 Importance of forest and deforestation

Due to the high level of precipitation, 45 % of Tambacounda is covered with forests [ANS2015; MIL2014; USA2010]. The use of forest in the department of Goudiry includes firewood exploitation, woodworking, production of charcoal, and harvesting of non-timber forest products [ANS2015]. The production of charcoal has slightly decreased between 2013 and 2014, while the collection of deadwood for cooking has seen a dramatic increase of almost 159 % in the department (change expressed in m<sup>3</sup> of wood collected) [ANS2015].

Although it is illegal to harvest timber for sale or for charcoal production in a prevailing number of government managed forests, it is still carried out, most of the times by the people who are not coming from the surrounding villages [WUR2010]. There are as of yet no reliable figures on the annual consumption of charcoal in Senegal, however, according to the numbers by SIE (Système d'Information Energétique du Sénégal), it accounted for 490,000 tons in 2007 [as cited by HRU2011]. In general, the amount of charcoal being produced in the

country has increased, and since the government stopped subsidizing LPG, households have once again returned to using charcoal for cooking, threatening the diminishing natural resources [USA2008].

Deforestation in Tambacounda is occurring at an annual rate of 0.5 %, and has already led to the extinction of local varieties of fruit trees, thus making the harvest of non-timber products impossible in some parts of the region [USA2010; WUR2010]. Interviewee Wurster [2017] pointed out that there are very few, if any, big trees of timber value left in the area, as all of mahogany and ironwood were already depleted 10 years ago. Research carried out by Subedi et al. [SUB2014] found that the use of biogas could lead to a decrease in energy demand from woodfuel, followed by a significant decline in total deforestation rates.

### 3.2.5 Pollution

Senegal's greenhouse gas (GHG) emissions amounted to 31.65 Mt CO<sub>2</sub> in 2011, which represented 0.07 % of global GHG emissions at the time [USA2016]. Senegal's total GHG emissions increased by 1.5 % on average per year in the period between 1990 and 2011 [ibid]. The biggest contribution in 2011 came from agriculture (36 %), followed by the energy sector (27 %), land-use change and forestry emissions (22 %), waste (9 %) and industrial processes (7 %) [ibid]. A significant proportion of GHG emissions in the agricultural sector can be attributed to manure storage, which leads to high methane emissions, making it one of the largest sources of pollution in the sector [Thrän, 2017]. In the energy sector, the largest share of GHG emissions (62 %) is represented by other fuel combustion and transportation emissions [USA2016]. The sector has also seen the largest average annual increase in emissions (4.6 %) [ibid]. This makes biogas an important alternative, since it can offset pollution caused by some of the other industries, and directly decrease the emissions from the combustion of other fuels, such as wood or charcoal.

The region of Tambacounda has been greatly affected by pollution and other disturbances, which are affecting both the environment and the population [ANS2015]. So far, no reliable indicators and appropriate measurements to determine the levels of pollution in the region have been utilized [ibid]. However, the results of empirical observations have shown significant levels of contamination [ibid]. For example, the practice of dumping trash straight into the river Senegal has led to a visible problem of river pollution [SEN2009].

Contamination of the region has also been observed in farming areas, where there is almost no control over the use of pesticides and artificial fertilizers, leading to the misuse of chemicals by farmers when cultivating their lands [ANS2015]. The increasing use of chemical fertilizer is a possible reason for soil fertility losses

[HEG2007]. The use of chemicals in combination with decreasing precipitation is leading to a decline in food production, raising concerns for food security in Senegal [ibid].

The absence of a working waste management system is a major environmental problem and a large source of greenhouse gas emissions [ANS2015]. There is only one provisional landfill in the region, which means that the majority of households either dispose of their waste in nature or they simply burn it [ibid]. There is no collective sewage treatment system in Tambacounda, thus the disposal of wastewater is done using individual networks of latrines or septic tanks [ibid]. Most households discharge their wastewater and excrement in small pits on the street, which is negatively affecting the environment and quality of life [ibid]. Additionally, in the RC of Koulor, a survey among seventy-eight plots (involving 183 households) concluded that only fifteen (19 % of all the plots interviewed) were equipped with latrines [SEM2011]. Consequently, in 81 % of the cases, inhabitants had no access to their own sanitation facilities and were bound to practice open defecation, or use neighbouring latrines [ibid].

The use of biogas has various environmental benefits [RAK2013]. If biodigesters are operated in a proper manner, they could reduce the negative impacts of global warming [BRU2014]. Biogas technology also diverts greenhouse gas emissions from being released into the atmosphere and offsets the emissions caused by the release of methane from cow manure [ibid]. At the same time, poor installation or the misuse of biodigesters can also result in certain adverse environmental outcomes with the unwanted releases of GHG [ibid].

Another possible environmental nuisance is related to the production foul odor from manure and slurry [BIA2014]. These unpleasant smells could appear if the biogas plant is not equipped with an anti-odor system or if there are leaks in the biogas plant because of poor maintenance [ibid].

Bio-slurry could also cause environmental problems if not properly discharged. In general, farmers do not dispose of manure into surface water, however, with the production of biogas this might change [HEG2007]. When bio-slurry is not needed as a fertilizer, a higher risk of improper disposal in the sewage system might arise, which would increase water contamination, especially in more populated areas [ibid].

### 3.2.6 Land use patterns

The households in the department of Goudiry are engaged in agro-sylvopastoral practices, however, in comparison to the inhabitants living in the northern parts of the country, they also depend on the forest and its products [MIL2014]. Senegal is, like many developing countries, experiencing a rapid population growth

[WOO2004]. Although a lot of citizens are moving from rural to urban areas, it is expected that the demand for cultivable areas will further increase [ibid]. One of the main factors influencing land use patterns and consequent alterations in land cover is the growth of the agricultural sector [ibid]. According to Wood et al. [ibid], the amount of land used for agricultural purposes is increasing, with more people focusing on active farming or following a short-term fallow system. The transformation from natural vegetation areas into cultivated lands is taking place all around the department, with more grasslands appearing in the northern part and around the city of Goudiry [ibid]. Agricultural expansion is leading to deforestation and consequent releases of carbon, which is especially troubling in the vast forest-covered regions of the southern Senegal [ibid]. Taking all discussed environmental factors into account, it becomes obvious that there is a clear need for renewable energy solutions, with biogas representing one of the most fitting options.

### **3.3 Social Factors**

#### 3.3.1 Social groups and their agricultural practices

Senegal is home to a variety of ethnicities. The largest ethnic groups are Wolof, Fulani, Tukulor, Serer and Mandinka [BLO2014]. Some other communities exist, but are comparatively small in size [ibid]. In Tambacounda, Fulani, Wolof and Mandinka make up the three largest ethnic groups [WUR2010]. However, the population of the RC of Koulor consists mainly of Fulani peoples, followed by Bambara (who are a sub-group of the Mandinka) and Soninké [SEM2011].

French has been Senegal's official language since the colonial times, however, it is only spoken by a literate minority [HEG2007]. In Tambacounda, dominant language communities are Pulaar (spoken by the Fulani), Mandinka (spoken by the Mandinka), and Wolof (spoken by the Wolof) [DIA2010].

While larger villages tend to contain a diverse group of people, villages with fewer than several hundred inhabitants usually consist of only one ethnic group [WUR2010; Wurster, 2017]. The RC of Koulor is made up mainly of villages with less than five hundred inhabitants [SEM2011]. Therefore, it is likely that a dominant ethnic group prevails in most villages, as suggested by interviewee Wurster [2017]. However, even in larger villages, the majority of the population is usually made up of a single ethnic group [ibid].

These ethnic groups equally rely on agriculture as their main source of income, yet their agricultural practices differ, especially in regard to land use [ibid]. Fulani communities are more likely to be active in pasturage, as they are by tradition a nomadic, pastoral community [ibid; HEG2007]. Different sub-groups of Fulani



exist in Tambacounda; most of them herd cattle, goats and sheep, and are to some extent involved in farming activities [WUR2010].

Wolof, Mandinka, Bambara as well as Soninké are typically involved in traditional agriculture [ibid; CHA1992]. Many households also own livestock such as goats, sheep or poultry [WUR2010]. Since a large majority of the Senegalese population is Muslim, the rearing of pigs is not common [USD2016]. Farming and pastoral activities are carried out to fulfill household nutritional needs and small quantities may be sold at local markets [WUR2010]. Additionally, Tambacounda is a large producer and exporter of grains such as corn, millet and sorghum, as well as peanuts [ANS2015].

The forest and bush outside of the villages is very important for the local inhabitants and represents an essential part of their daily lives [WUR2010]. It is predominantly used for cattle grazing, hunting and collecting forest products [ibid]. Craftwork represents another important source of income for the Tamaboundan population [WIS2015]. Most importantly, local populations use wood as a cooking fuel. The dependency on wood as the sole form of cooking energy can be explained by the fact that it is free and accessible, despite villagers expressing the wish not to have to return to the forest for wood collection on a daily basis [WUR2010]. The considerable reliance on rainfed and subsistence agriculture puts many households in a vulnerable economic position [SEC2007]. The irregularities of income due to varying agricultural yields is threatening food security and forcing villagers into charcoal production [WUR2010].

Local communities often have strong objections to the harvesting of wood for charcoal production [ibid]. This is due to the fact that the charcoal industry not only leads to severe deforestation and reduces the carbon sequestration capacity and biodiversity of the local ecosystems, but also worsens the quality of soils and leaves rural areas degraded and impoverished [ibid; WB2007]. Locals have noticed a loss in forest cover, as the distance travelled between forest and village in order to collect firewood has increased [FAY2017]. They identified forest fires, clearance for agriculture and the cutting down of trees for charcoal by migrant workers employed by urban Senegalese merchants as the main factors contributing to forest loss [ibid].

Villagers in the region of Tambacounda understand the significance of the forest for regulating the climate and have observed how it affects the levels of precipitation and the weather conditions [WUR2010]. They are aware that the forests play a role in mitigating climate change and storing carbon [‘TAMBA-COUNDA’2016]. Nonetheless, villagers depend on charcoal production as a source of income when agricultural yields are low [WUR2010].

### 3.3.2 Households

The average household size in Senegal varies significantly between rural areas and cities. While the average urban household consists of seven members, rural households usually consist of ten members or more [ANS2014]. In the RC of Koulor, this average rises to 12.7 people per household [SEM2011]. In some cases, families can consist of up to seventy people [MasonAVSF, 2017]. Approximately half of all Senegalese women live in polygamous marriages, where the husband is permitted to have up to four wives [USA2010]. Wives are generally expected to live with their husband and the husband is considered to be the head of the household [ibid].

Typically, village housing is made up of compounds containing small houses, which are constructed from clay bricks [WUR2010]. It is typical to have one cluster of houses where family and extended family live [Wurster, 2017]. Often, a community garden maintained by the women of the village is used to grow cassava, potatoes and other vegetables [WUR2010].

Women are responsible for nearly all household activities [BLO2014]. They are the primary wood collectors, spending up to 3.1 hours per day collecting deadwood from nearby forests and the bush, while covering an average distance of 2.3 km [ibid]. They often carry more than 20 kg of wood during one trip [SEC2007]. Additionally, women are in charge of preparing all family meals [BLA2006]. Cooking is one of the most time-consuming activities carried out by women [ibid]. This is especially true for the preparation of lunch and dinner, as breakfast usually does not consist of a cooked meal [ibid]. All in all, meal preparation can take up to seven hours per day [HEG2007]. Biogas has the potential to cut cooking time in half, freeing up a significant amount of time for women to participate in income-generating activities outside the home or leisure activities alike [BIA2014]. However, according to interviewee MasonAVSF [2017], the tasks of feeding and maintaining a biodigester would also be assigned to women and children.

### 3.3.3 Education

There is no widespread access to education in Tambacounda, resulting in an illiteracy rate of 73.5 %, specifically 79.8 % for women and 67 % for men [ANS2014; ANS2015]. The RC of Koulor has fourteen elementary schools in the villages of Dambamba, Koulor, Diamaguène, Inalamoustahina, Madina Touate, Rabia, Sinthiou Diaobe, Sinthiou Hamath Ali and Waly Babacar, as well as one middle school [SEM2011]. Access to education in the community is therefore strongly scattered and characterized by the isolation of certain villages from school sites [ibid]. In the entire Tambacounda region, eleven professional and

technical training facilities exist [ibid]. However, none of these facilities are located in the RC of Koulor, or within the Department of Goudiry [ANS2015]. It can thus be assumed that knowledge about renewable technologies and their construction is very limited in the community.

As emphasized by interviewee Wurster [2017], more educated people often move to the cities of Tambacounda, Dakar, Kaolack or Ketagu, where more opportunities to attend secondary schools or universities exist. Some end up leaving Senegal to go to France, sending money back to the villages [ibid]. This enables locals to invest in their properties: “[...] if it’s a really nice cement house, you know they (the villagers) have a relative, probably an immediate relative who’s outside the village [...], probably outside the country” [ibid].

While formal education facilities are scarce, non-formal education as well as traditional knowledge have accumulated through experimentation and observation and have been passed down through generations [KRE1990]. Both formal and informal education can contribute to awareness about environmental, social and economic issues, thus serving as a driver for development [ibid]. Additionally, community members with non-formal education are likely to participate and take on leadership positions in community organizations and activities, and can in this way become agents of change [KUE2005].

#### 3.3.4 Household buying decisions

The traditionally male head of the household is often in charge of family expenditures [HEG2007]. As the male head of household may decide on significant investments such as clean cooking fuels, despite the fact that women and children would in fact be the main beneficiaries of these technologies, a principal-agent problem might occur when trying to promote a biogas program [ibid]. Recently, a biogas feasibility assessment in a rural region of Western Senegal revealed that women and men are increasingly making household buying decisions together, potentially alleviating, if not resolving, this problem [BLO2014]. Interviewee Wurster [2017] confirmed that decision-making in the household is a joint undertaking. While men are usually in charge of bigger household purchases, women are responsible for managing daily expenditures such as produce bought at markets [ibid].

#### 3.3.5 Health and social issues related to the use of traditional fuels

All rural Tambacoundan households surveyed by Bloomfield et al. [BLO2014], voiced discontent with their current cooking fuel. One of the biggest issues mentioned were the time taken up by meal preparation, as well as exposure to smoke.

Additionally, high fuel consumption was one of the reasons mentioned for dissatisfaction. Cost seemed to be of minor impact, which can be explained by the fact that fuel is mostly collected and not purchased [ibid].

According to Bloomfield et al. [ibid], 80 % of rural households expressed a wish to use an alternative type of cooking fuel, specifically biogas, and named time saving, both in terms of cooking and collecting fuel, as a primary incentive for switching. Additionally, cleanliness and smoke reduction were among the main reasons for choosing alternative cooking fuels [ibid]. Although of lesser impact when deciding for an alternative cooking fuel, indoor air pollution should not be underestimated, as it poses one of the greatest threats to public health, particularly to women and children [UND2005].

Interviewee MasonAVSF [2017] confirmed the main incentives for switching fuels:

“The economical aspect was for sure one of the main goals [...], maybe as well the reduction of the workload for women and kids who are the ones who need to gather wood every day, which takes them several hours during which they could be doing something else. Also, suppression of wood or charcoal smoke in the kitchen is a big advantage, being able to enter the kitchen and not start coughing immediately or smell of smoke later was one of the things that women were complaining a lot about before.”

Several researchers have emphasized the severe impacts of energy poverty on the education and economic opportunities of women and girls [SEC2007]. The division of labor disadvantages women and girls to a point where fewer girls are able to attend school, as they are involved in time- and labor-intensive tasks such as wood and manure collection as well as food preparation [ibid]. The extent of time taken up by these household activities depends on the number of family members involved and also on the season and availability of resources [ibid]. It can be assumed that by adopting the use of clean cooking fuels, girls would be provided with better opportunities to receive education, while women would be able to increasingly participate in economic activities outside the home [BLA2006]. Currently, the RC of Koulor is not connected to an electric grid [SEM2011]. This constrains the activities that can be carried out at evening or nighttime, such as studying [SEC2007]. Biogas could provide lighting as an additional benefit for households without access to electricity.

Increased inequality between households who use biogas digesters and those relying on traditional fuels could cause tensions in social dynamics, especially in rural villages that are rather close-knit [HUB2007]. However, interviewee

Wurster [2017] highlighted that there is a strong sense of solidarity between villagers, as people tend to know each other well due to the size of most villages. Interviewee MasonAVSF [2017] confirmed this observation by pointing out that wealthier families would commonly provide food for the less fortunate, such as street kids. Regardless, socio-economic differences within rural communities seem rather insignificant [Wurster, 2017]. Interviewee Wurster [2017] also added that when conflicts do arise, village chiefs are usually the ones to resolve the dispute, as they have decision-making authority and the right to control the allocation of land. Significant conflicts or violence are rarely observed, as confirmed by interviewee MasonAVSF [2017]:

“(...) no social tensions have been noticed, even more: neighbors would come over to see how the work is done and were congratulating us for acting against excess wood harvesting and bringing new technologies to their village. They were also saying that they would like to try and do the same thing at their place.”

Nonetheless, minor conflicts can arise, especially when multiple connections to a biogas digester or communal digesters are established. These can create major technical, social and operational challenges, and should therefore only be attempted in villages that have had previous success and experience with biogas [STO2010]. Furthermore, interviewee MasonAVSF [2017] highlighted:

“Installing biodigesters for groups of families could lead to tensions between families since a certain family has more cattle than the other which leads to questions on who feeds the biodigester more, who can use more gas and ends up in abandoning the use of the biodigester or even worse-issues between the families.”

Interviewee MasonAVSF [2017] also explained that community-based biogas projects that have been installed in schools and communal centers were only viable because “these structures are working on a relatively strict hierarchy system with established rules, which prevents any further conflicts about the feeding and the use of the biodigester and its maintenance.”

### 3.3.6 Awareness and acceptance of biogas technology

Although biogas is not entirely new, neither to Senegal nor to Tambacounda [Ndiaye, 2017], many communities have never heard of the technology [MasonAVSF, 2017]. How they perceive the technology will therefore depend on the individual household and the benefits biogas can provide [Ndiaye, 2017]. Interviewee MasonAVSF [2017] explained:

“Locals had no idea about this technology but were very interested and enthusiastic when possible benefits were explained,

especially when they learnt that the association would cover a big part of the costs”.

This statement highlights the importance of a well-adapted financing scheme, as socio-economic characteristics have a strong impact on the adoption of biogas technology [NIS2016].

As reported by interviewee Ndiaye [2017], technologies that allow access to domestic energy are well perceived by villagers. There is a sense of openness towards development projects, especially if they are funded and provide beneficiaries with economic benefits [Wurster, 2017]. However, interviewee Wurster [2017] emphasized that changing behaviors and lifestyles takes a long time, which villagers acknowledge. Since only a few NGOs, whether local or foreign, operate in the area, those who do usually become well known and appreciated by communities [MasonAVSF, 2017].

The question of whether or not households would be accepting towards the use of human waste matter as an input fuel has not sufficiently been answered in research relating to Senegal [HEG2007]. As pointed out by interviewee Ndiaye [2017], psychological barriers exist. However, connecting latrines to biogas digesters could provide significant economic, environmental and social benefits through sanitation and wastewater treatment, as open defecation remains a serious threat to public health in the RC of Koulor [HEG2007; SEM2011]. Successful examples from other regions have shown that a special emphasis needs to be placed on sensitivity towards the local population and the environment these projects are undertaken in [KHA2013]. Certainly, a central step in promoting acceptance of pit latrines would be communicating the mentioned benefits [ibid].

It has been made clear that there has been both a greater awareness for and usage of animal manure as an input fuel for biogas digesters and as a fertilizer [HUB2007]. This can be explained by the fact that most households own livestock and are thus accustomed to handling manure [HEG2007]. Nonetheless, many farmers prefer industrial fertilizer [ibid]. Since bio-slurry is highly efficient, it could potentially serve as a replacement, thus providing an additional incentive for using a biodigester [ibid].

The locale-specific factors identified in this section should be taken into account when implementing a biogas project in any rural area. Inhabitants of Tambacounda are not widely aware of biogas technology, which may represent a major barrier. However, the strong sense of solidarity among villagers, along with the many potential benefits that could be provided by biogas, may enable socially-acceptable biogas projects to be implemented in the region.

### **3.4 Technical Factors**

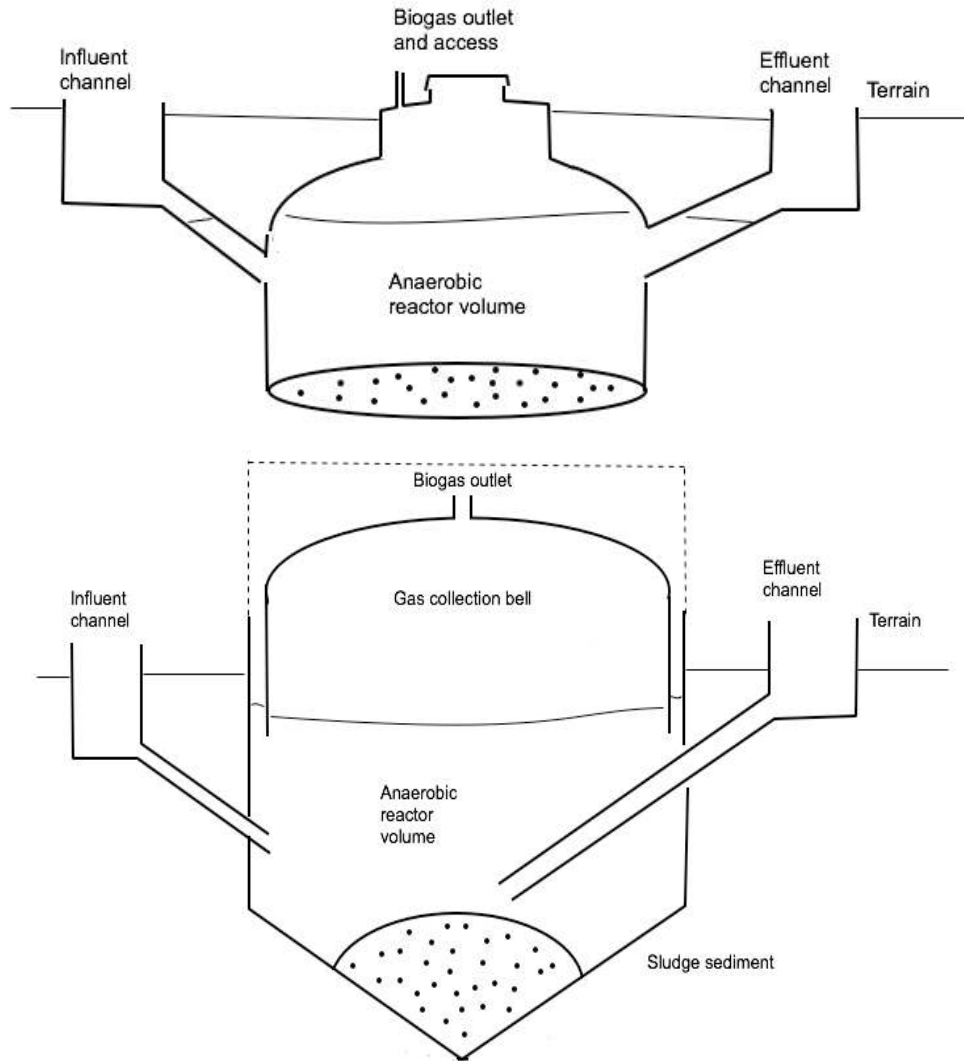
#### **3.4.1 Domestic biodigesters**

Some of the largest barriers to long-term success of biogas programs in sub-Saharan Africa have included a lack of coordination in technical support, poor installation and maintenance, and outdated digester designs [AMI2012]. In order to increase the use of clean cooking with biogas, it will be necessary to understand how the technical feasibility, installation, operation and long-term performance of biodigesters can be suited to the needs and expectations of the owners.

As of 2007, Tambacounda had a total of 414,074 cattle with an average of 13.7 cattle per agricultural household, and a total number of 20,548 households eligible for a domestic biogas digester [HEG2007]. Currently, the most common household biogas systems used in developing regions are the fixed dome and floating dome biodigesters, with livestock manure being the primary source of feedstock [AMI2012]. These systems permit the use of local resources for energy input and bio feedstock, and are otherwise cheap, easily manageable systems, requiring no mechanical instruments or temperature controls [ALS2008].

Fixed dome biogas plants require daily additions of feedstock and daily removal of digestate [ALS2008]. Sediments such as sand and minerals that accumulate in the waste must be manually cleaned out from the tank two to three times per year [ibid]. These digesters contain a gas chamber, fermentation chamber, inlet and effluent pipes (see Figure 1 above) [KUM2015]. Biogas accumulates in an upper gas chamber while waste accumulates in the fermentation chamber [ibid]. As the gas expands, air pressure increases and digestate is forced into the effluent chamber, which can then be collected and used as an organic fertilizer [ibid]. These digesters can be made of cement, reinforced concrete, stones, clay and bricks [HEG2007].

The floating dome digester is also built underground, however, digestate is collected from the bottom of the chamber, while the gas collection unit is a vertical floating tank (see Figure 1) [ALS2008]. Gas pressure causes the floating unit to rise and fall accordingly, while slurry is collected through an outlet pipe [ibid]. It can be made of brick or reinforced concrete, while the upper floating drum is typically made from steel or plastic [KUM2015].



**Figure 1: Design of different digester types [adapted from Als2008]**

In both systems, gas is collected from the top of the dome, and a separate unit consisting of pipes, a gas pump, gas meter, pressure regulator, and condensate drain permits the biogas to be removed and processed so that only methane is left, which is then used for cooking and lighting applications [KUM2015]. Fixed dome biogas digesters can be made according to a variety of different models, materials, and improvements on past designs, however, they share the same basic features as previously described. This type of digester is highly popular in biogas programs in Africa and other developing countries; successful projects have included the installation of over 2,700 fixed-dome units in Rwanda, 3,300 in Tanzania, 4,900 in Kenya, as well as over 250,000 units installed in Nepal [RAK2013; SNV2006]. The fixed dome model provides many well-documented benefits that make it suitable for Tambacounda's rural communities, such as its long lifespan of up to twenty years, the opportunity to create local employment



through the use of unskilled labor, negligible operation costs, and the stabilized environment due to its underground construction [NIS2016; SNV2006].

Although floating drum digesters provide additional benefits such as constant gas-pressure output and easier visibility of gas production, they are substantially more expensive than fixed-dome digesters, prone to shorter lifespans due to corrosion of the steel drum, and are rarely used in modern-day installations [RAK2013]. Thus, the remainder of this technical assessment will assume that the biodigester of interest to the implementing organization is a fixed-dome model.

### 3.4.2 Substrates

As previously discussed, the natural process of biodegradation exploited by biogas technology enables a large variety of organic matter to serve as a suitable feedstock. Inputs such as crops, agricultural residues, and sewage sludge are known as lignocellulosic feedstock, and contain a complex and tightly interconnected network of cellulose, hemi-cellulose and lignin [MAT2003]. Due to their complex structural arrangement, lignocellulosic feedstock often requires pre-treatment or co-digestion in order to promote degradation and increase the biogas yield [ibid]. In contrast, feedstock with a high content of proteins, fats, and carbohydrates are much easier to digest [ibid]. Manures, which are typically used in domestic rural installations or livestock facilities, are an ideal raw material source for biogas production, as they contain all basic nutrients needed by bacteria, and have a high buffering capacity due to the presence of ammonia [LUO2011; ESP2012]. Lastly, municipal and industrial raw materials can include a wide variety of by-products such as wastewater and organic fractions of municipal solid waste (OFMSW); however, their quality is dependent on the waste treatment, time of year, method and site of collection [LUO2011].

Ultimately, cow manure is considered the ideal substrate for calculating the potential of biogas production compared to other livestock [CHÁ2016]. Cows produce a large quantity of daily manure in comparison to other livestock, and have the largest overall global biogas, methane, energy potential and nutrient recovery potential [ibid]. Due to the large number of livestock and agricultural production within the RC of Koulor, the technical potential of manure-based biogas digesters in this region is high. As of 2010, the agro-centric rural community consisted of 1,017 households distributed throughout forty-five smaller villages, with an estimated 16,063 cows, 15,499 goats, 13,108 sheep and 1,026 horses [SEM2011]. Assuming that a 4m<sup>3</sup> household digester would require either two cows or twenty goats, there is a theoretical potential for 774 biogas digesters to be supplied by goat manure and more than 8,000 to be supplied by cow manure.

The production of biogas from different forms of feedstock is highly dependent on the fraction of organic content in dry matter, the carbon to nitrogen (C/N) ratio, rate of decomposition, and bioavailability for microorganisms [MAT2016]. Although manure has the lowest biogas yield when compared with agricultural residues and industrial waste, it is an ideal substrate for domestic applications, as it is continuously available from livestock, and does not require pre-treatments or expensive mechanical controls that are required for high-lignocellulosic substrates in commercial applications (see Table 3) [ibid].

**Table 3: Biological methane potential (BMP) [adapted from LUO2011]**

Manure	TS (%)	VS (% of TS)	Ntot (% of TS)	BMP (m <sup>3</sup> /tVS added)	BMP (m <sup>3</sup> /tFM added)
Cow, liquid	5-14	75-85	3-6	120-300	10-20
Cow, solid	17-25	68-85	1.1-3.4	126-250	24-55
Pig, liquid	4-10	75-86	6-18	180-490	12-24
Pig, solid	20-34	75-81	2.4-5.2	162-270	33-39
Poultry, liquid	32-65	63-80	3.1-5.4	150-300	42-156

TS= total solids, VS= volatile solids, Ntot= total nitrogen, tFM= total fecal matter

Additionally, manure is a suitable raw material input in rural domestic systems, because it contains vast quantities of microorganisms and enzymes that facilitate the process of decomposition [ESP2012]. Although solid cow manure has low biological methane per volume potential in comparison to other livestock, it is the most widely available in the RC of Koulor [LUO2011]. Households could also use human manure and manure from other livestock, however, a significant amount of time would be required to collect a sufficient amount of feedstock. Furthermore, other substrates used in biogas digesters, such as agro-food wastes and agricultural residues, are typically only suitable for commercial biogas plants that are supplied directly from industrial agricultural sites or large-scale waste-collection systems, both of which are not currently feasible in the RC of Koulor [MAT2016].

### 3.4.3 Co-digestion

Combinations of different manures, as well as organic wastes from agricultural residues, would enable the usage of more diverse substrates from the community, thus helping reduce waste and increase the level of community involvement in biogas production. The use of high-lignocellulosic plant matter alone is not possible in domestic level biodigesters, as they are too structurally complex to be broken down by microorganisms in such biodigesters without pretreatment or co-digestion [NES2017]. Most forms of co-digestion require pretreatment with NaOH, or require advanced biogas digester technology with mechanical stirring

capacity, both of which would be economically prohibitive in the case of household-sized installations in Senegal [ibid]. However, some co-digestion mixtures for the fixed-dome biodigesters could be explored. It is important to note that the optimization of co-digestion mixtures is an active area of research with highly variable results depending on digester conditions, and should therefore only be implemented with caution and on a per-household basis. Ultimately, the use of co-digestion between substrates with different compositions could help provide an optimal carbon to nitrogen ratio, which can in turn increase biogas production [ibid].

Crop residues, which have a high energy potential, can be co-digested with manure to increase methane yields [LUO2011]. Furthermore, manures have a very low C/N ratio, and thus mixing with plant-residues, which have a comparatively large ratio, can improve output [NES2017]. Some studies have found that co-digestion of goat manure with corn stalks, rice straw, cotton stalk and sorghum stem can improve biogas production, while others have seen improved biogas yields from mixing one part sheep manure with three parts cow manure [ZHA2013; NES2017; KAN1992]. Studies have generally found that mixing 30-40 % crop residues or organic waste with manure can improve the C/N ratio and biogas production [NES2017]. Thus, multiple substrate inputs and co-digestion of feedstock could be a future possibility in rural biogas installations in the RC of Koulor or elsewhere in Tambacounda, enabling more households to get involved and more waste to be diverted towards clean energy production. Table 4 provides a detailed breakdown for the substrate possibilities that would be suitable for co-digestion in a rural domestic biodigester.

#### 3.4.4 Grazing systems

Assuming that cattle manure is the primary feedstock for the digester, it is critical to understand the grazing patterns of the region of interest when determining the feasibility, location and accessibility of the biogas digester. Livestock management systems such as pastoralism would be unsuited to biogas technology, as continual movement of livestock to new pastures would make manure collection and maintenance of a biogas digester impossible. Agricultural regions in the southernmost regions of Senegal, specifically the southern part of Tambacounda, practice agropastoral semi-intensive grazing [SEC2016]. Semi-intensive systems are especially common in villages with large mixed-use agricultural cultivation, such as the RC of Koulor [ibid]. Dairy production from cattle is the primary source of income from livestock in this region, and the most common cattle breed among livestock owners is the *N'Dama taurine*, which predominates due to its tolerance against trypanosomal infections [SEC2016]. Cattle in this area are fed with crop residues such as peanut vines, straw, cotton seeds and sesame cake [ibid]. The main ethnic group in Tambacounda, the Fulani, have traditionally

been nomadic pastoralists skilled in the grazing and management of livestock, however, they now mostly live in villages [WUR2010]. In general, most dairy-producing households in the southern parts of the country keep their livestock in pens close to the household at night, although some households may still hold their cattle in pens outside of the village, which would make manure collection and transportation inconvenient [HEG2007].

**Table 4: Characteristics of substrates [adapted from RAJ2012]**

Main substrate	Substrate classification	Dry matter (%)	Ash (%)	Total digestible nutrients (%)	Biogas yield
<b>Manure</b>	Cow	38	14	92	0.6-0.8 m <sup>3</sup> /kg TS
	Pig	20-25	NA	NA	0.27-0.45 m <sup>3</sup> /kg TS
	Buffalo	14	NA	NA	NA
	Poultry	89	33	38	0.3-0.8 m <sup>3</sup> /kg TS
	Horse	28	NA	NA	0.4-0.6 m <sup>3</sup> /kg TS
<b>Fecal matter</b>	Human excreta	20	NA	NA	NA
<b>Agricultural residues</b>	Rice straw	91	13	40	0.55-0.62 m <sup>3</sup> /kg TS
	Wheat straw	91	8	43	0.188 m <sup>3</sup> /kg VS
	Maize straw	86	NA	NA	0.4-1.0 m <sup>3</sup> /kg TS
	Grass	88	6	58	0.28-0.55 m <sup>3</sup> /kg VS
	Mango leaves	NA	NA	NA	0.6 m <sup>3</sup> /kg TS
	Foliage of parthenium	NA	NA	NA	NA
	Coffee pulp	28	8	NA	0.300-0.450 m <sup>3</sup> /kg VS
	Corn stalk	80	7	54	0.350-0.480 m <sup>3</sup> /kg VS
	Cassava peels (residues)	NA	NA	NA	0.661 m <sup>3</sup> /kg VS
<b>Food wastes</b>	Whey	94	10	82	NA
	Vegetable waste	5-20	NA	NA	0.4 m <sup>3</sup> /kg TS
	Fruit wastes (apple)	17	2	70	NA
	Kitchen/restaurant waste	27/13	13/8	NA	0.506/0.650 m <sup>3</sup> CH <sub>4</sub> /kg VS
	Leftover food	14-18	NA	NA	0.2-0.5 m <sup>3</sup> /kg TS
	Egg waste	25	NA	NA	0.97-0.98 m <sup>3</sup> /kg TS
	Cereals	85-90	NA	NA	0.4-0.9 m <sup>3</sup> /kg TS
<b>Aquatic plants or sea weeds</b>	Algae	NA	NA	NA	0.38-0.55 m <sup>3</sup> /kg VS
	Water hyacinth	7	NA	NA	0.2-0.3 m <sup>3</sup> /kg VS
	Giant kelp	NA	NA	NA	NA
	Caboma	NA	NA	NA	0.221 m <sup>3</sup> /kg VS
	Salvinia	NA	NA	NA	0.155 m <sup>3</sup> /kg TS

The design and layout of villages within the rural communities are also important aspects to consider when deciding where, relative to the domestic household, to install the digester. Typically, villages in Tambacounda have a 1-km radius of land devoted to farming of peanuts, cotton, and millet, while the remaining outside land is used for the grazing of livestock [WUR2010]. Furthermore, the construction of animal stalls in close proximity to the household is highly supported by government programs in order to promote the dairy industry<sup>2</sup> [SEC2016]. Thus, the collection and supply of manure from cattle in this region can be integrated into the semi-intensive agriculture system of the villages.

<sup>2</sup> The New Sectoral Initiative for Livestock Development (NISDEL) in 2004 has led to the installation and funding of 230,000 animal stalls [SEC2016].

#### 3.4.5 Water usage

Livestock manure needs to be diluted with approximately twenty to forty liters of water or cow urine per day in a 4 m<sup>3</sup> fixed dome digester [RAK2013]. Water resources in Koulor are highly limited: only 36 % of the population of the RC have access to safe drinking water, with the majority of the water supply coming from traditional wells [SEM2011]. Furthermore, there is an insufficient number of drinking troughs to supply water to the livestock in the community [ibid]. Meanwhile, water resources become especially strained during the drought season [ibid]. The use of cow urine would be a feasible alternative, as urine actually improves biogas production and would thus alleviate concerns over water consumption during drought or in water-scarce communities in the region [SEM2011; RAK2013]. Dairy cows typically produce upwards of 25 liters of urine per day, at least some of which could be collected to reduce the amount of water that is needed [DAI2012]. Simple urine traps could be made from a collection pit lined with plastic, as well with a container, bucket, or polypropylene tubes; these materials could be purchased from local suppliers and assembled non-invasively in order to collect cow urine [LAS2010].

#### 3.4.6 Materials, installation, and maintenance

Fixed dome biodigesters take approximately sixteen days to build, depending on the level of skill and experience of the laborers, and access to materials [RAK2013]. Ideally, local construction materials such as stones, stabilized clay blocks, sand, water and cement can be gathered from within the village as well as nearby hardware stores and will reduce the overall costs of construction, while other materials, such as burnt bricks, are much more expensive in rural areas [HEG2007]. Usage of materials such as sand requires that it is clean and free of impurities; granular sand is often mixed in with concrete, while fine sand is typically used for plastering [HUB2007]. On discussing the material sourcing for the biogas program in the region of Ferlo, interviewee MasonAVSF [2017] pointed out that “there are many types of sand but not all can be used for concrete making: the best one is river sand but sadly the Ferlo region is known to have only few rivers and the ones going through are heavily harvested already”. Thus, the identification and location of the correct type of sand is important, especially if households in rural Tambacounda are relying on the availability of local materials. Stabilized clay blocks are the best quality material to work with, while cement blocks are easily available, but are of much poorer quality [HEG2007]. All other construction materials for the digester can be purchased with relative ease from local hardware shops in the region, however, since there are very few existing biogas companies operating in Tambacounda, it may be difficult to source some of the required building materials and appliances from local retailers [ibid]. Some materials may need to be sourced from distributors in other regions and

countries, or manufactured in local workshops by engineers or construction firms [ibid]. However, as the awareness and popularity of biogas in Senegal increases, the availability of construction materials and appliances may become more locally accessible than previously thought. As interviewee Ndiaye [2017] pointed out, “PNB offers cooking equipment made from local materials. There is no import necessary for domestic biogas digesters.”

Compost pits, that are used for collecting slurry that comes from the digester, need to be cleaned out and managed regularly, while bioslurry can be stored away for a longer period [Thrän, 2017]. In addition, to improve fertilizer quality, the collection pits near the outlet pipe are often filled with other organic wastes such as plant residue [SNV2006].

Another important consideration is the need for cooking stoves and potential cookware itself that are appropriate for biogas digesters (i.e. burners) [MasonAVSF, 2017]. These additional purchases or costs would need to be included in any household selection process or cost estimation when making decisions about where to install the biodigester. Interviewee MasonAVSF [2017] discussed this issue:

“Regular butane/propane burners don’t fit for the methane that is produced by the biodigester. The cooking pots had to be modified as well since the women only had pots that were used over the fireplace and had feet fitted on them to stand above the coal. For gas heating however they needed to be right above the burner so the feet had to be removed or other pots needed to be purchased.”

Furthermore, when installing a biogas system, transportation and logistics for getting materials to the worksite can be a challenge. Since many of the materials are large and heavy, trucks and other vehicles would be necessary for transporting to and from the worksite, as confirmed by interviewee MasonAVSF [2017]:

“One of the main issues was bringing the material to the worksite. The locations were quite remote and the access was only possible by rough dirt roads with lots of potholes. These conditions made it difficult to bring over the cement and the very heavy and large steel molds that were necessary to build the digesters.”

**Table 5a: Average costs of fixed-dome biodigesters [HEG2007]**

	4m <sup>3</sup>			6m <sup>3</sup>			8m <sup>3</sup>			10m <sup>3</sup>		
	Burned brick	Cement brick	Stabilized clay block	Burned brick	Cement brick	Stabilized clay block	Burned brick	Cement brick	Stabilized clay block	Burned brick	Cement brick	Stabilized clay block
Contribution farmer in kind	64,033	64,033	64,033	78,039	78,039	78,039	92,045	92,045	92,045	108,651	108,651	108,651
Supplied materials	379,838	234,838	214,838	426,438	256,438	233,938	514,018	319,018	289,018	558,918	348,918	318,918
Technical services	48,000	48,000	48,000	48,000	48,000	48,000	57,000	57,000	57,000	57,000	57,000	57,000
Company fee	108,559	72,308	67,309	120,209	77,709	72,084	143,904	95,154	87,654	155,129	102,629	95,129
Program fee	12,000	12,000	12,000	12,000	12,000	12,000	12,000	12,000	12,000	12,000	12,000	12,000
Total investment (CFA francs)	612,431	431,181	406,181	684,686	472,186	444,061	818,967	575,217	537,717	891,698	629,198	591,698
Total (Euro)	935	658	620	1,045	721	678	1,250	878	821	1,361	961	903

The overall cost structure of a biogas system is divided into construction, maintenance and operation costs, with the latter two comprising about 3-5 % of the total construction cost on an annual basis [SNV2006]. Therefore, decisions about the materials used to build the biodigester will be the biggest determinant of the initial investment. The cost breakdown for the hypothetical construction of a fixed-dome biodigester in Senegal can be seen in Table 5a (see p. 189), and is based on a GGC 2047 fixed-dome model previously used in Nepal, which incorporates elements of the Lesotho “TED” and Morocco design, using cattle as the standard for feedstock production [HEG2007]. The construction costs for a 6 m<sup>3</sup> “TED” model fixed-dome digester in Burkina Faso are also depicted in Table 5b [HUB2007], including transportation, lighting and cooking appliances, labor, and materials.

It can be seen that the costs are quite similar, although there is some variability due to differences in market price of materials, design, as well as the inclusion of company and program fees in the GGC 2047 cost calculation.

**Table 5b: Cost of a 6 m<sup>3</sup> fixed-dome biodigester [adapted from HUB2007]**

<b>Item</b>	<b>%</b>	<b>Total CFA francs</b>
<b>Cost of materials</b>	46.2 %	208,100.00 CFAf
<b>Cost of in/outlet pipes</b>	8.2 %	36,755.00 CFAf
<b>Cost of personnel</b>	19.1 %	86,000 CFAf
<b>Cost of gas pipes</b>	6.3 %	28,300.00 CFAf
<b>Cost of gas appliances</b>	12.4 %	56,000.00 CFAf
<b>Cost of transport</b>	4.2 %	18,750.00 CFAf
<b>Miscellaneous costs</b>	3.6 %	16,095.00 CFAf
<b>TOTAL</b>	100.0 %	450000.00 CFAf

### 3.4.7 Operability

Once the biogas unit is installed, an inoculant is needed to jump-start the process of anaerobic digestion and build up methane production [HUB2007]. Ideally, small daily additions of manure would be suitable enough, due to the diverse micro flora that naturally exists [ibid]. However, the vast availability of goats in the RC of Koulor would also enable goat owners to earn an additional source of income by providing goat rumen, which is a highly efficient inoculant for biodigester startup and requires a much smaller volume for startup [NAG1999]. The standard 4 m<sup>3</sup> fixed dome model would require a total of approximately 1500 kg of dung to be added before the plant can become active, meaning there is a window of time where the plant would not be operational and a large amount of dung



must be collected [SNV2006]. After the initial feeding, the length of time until biogas is produced, known as the hydraulic retention time (HRT), will depend on the temperature of the region [ibid]. With an average daily temperature exceeding 25°C in Tambacounda, the initial period before significant biogas production can be expected to last anywhere from a few days up to fifty days [CDM2012]. Requirements for daily fresh dung, water, number of cattle and plant size, along with their corresponding length of cooking and lighting time for a fixed-dome model, can be compared in Table 6. It is important to note that biogas systems need not be solely dependent on the existence of cattle livestock [RAK2013]. According to Rakotojaona [RAK2013], at least two cows, four pigs, or twenty goats would be sufficient to produce the minimum amount of dung needed to meet the cooking needs of a household. Furthermore, co-digestion with other manures from horse and sheep as well as agricultural residues would be possible. Lastly, temperature is a key factor in determining the production and quality of biogas [LUO2011]. In large commercial systems, temperatures need to be controlled within a narrow temperature range (30-44°C and 45-60°C) to optimize yield, and require pre-treatment, digestion, cleaning and conditioning, before the biogas can be used [AMI2012]. In a fixed-dome domestic biodigester, biogas production occurs naturally at temperatures below 70°C and above 10°C (with the ideal temperature being around 35°C), and will thus be facilitated by the ambient climate [ibid; SNV2006].

**Table 6: Resource use and energy provision [adapted from RAK2013; SNV2006]**

<b>Biodi-gester size (m<sup>3</sup>)</b>	<b>Initial feeding (cattle dung or pig manure) (kg)</b>	<b>Daily dung feeding (kg)</b>	<b>Daily water (L)</b>	<b>Use of biogas stove (hr)</b>	<b>Use of biogas lamp (hr)</b>	<b>Head of cattle</b>
<b>4</b>	1500	20-40	20-40	3.5-4	8-10	2-3
<b>6</b>	2300	40-60	40-60	5.5-6	12-15	4-5
<b>8</b>	3000	60-80	60-80	7.5-8	16-20	6-8
<b>10</b>	3800	80-100	80-100	9.5-10	21-25	8-10

Calculations based on the “Rwanda design” fixed-dome model.

Assuming an average of 20-40 kg of fresh cow dung per day, along with 20-40 liters water (or urine), a 4 m<sup>3</sup> digester could theoretically provide up to a maximum of 6.30 hours of cooking time per day, however, lower estimates, such as findings from the Rwanda biogas program, have shown that functioning units receiving 35 kg daily cow dung provide closer to 2.6 hours per day [RAK2013; NIS2016]. In order to account for any inefficiencies or losses due to leakage or

fluctuations in manure quality, a more modest estimate than the values shown in Table 6 are taken.

A single cow produces about 10 kilograms of dung each day [SNV2006]. Each kilogram, in turn, can produce 40 L of biogas; therefore, one cow can produce up to 400 L biogas per day [SNV2006]. Laboratory experiments have also shown that a single goat produces approximately 0.7 kg dung daily, which in turn produces up to 400 L biogas per day [HAN2017]. A typical biogas digester consumes 350-400 L of biogas per hour of cooking, and 150-175 L of biogas per hour of lighting [ibid]. Based on these data, and confirmed by the observed biogas cooking time seen in the Rwanda biogas program, one cow will produce enough biogas for one hour of cooking and nearly two hours of lighting [SNV2006]. One goat would also produce the same amount of cooking and lighting time; however, at least twenty goats would be needed to provide the required daily mass of manure that is needed in the digester [HAN2017]. The biggest technical limitations to biogas production in an operational biogas digester would be the availability of dung and water (both of which are vulnerable to drought and food insecurity), animal illness and death, and financial capacity of the household to buy new livestock or water (if urine cannot be collected). Installing collection channels for cow urine, as well as holding emergency livestock food supplies should therefore be considered to mitigate these vulnerabilities.

#### 3.4.8 Technical capacity

Construction and long-term maintenance of digesters, such as cleaning out indigestible particulate in the biogas digester, as well as sealing any cracks and openings in the tank depend on the widespread dissemination of knowledge, training, and technology transfer that is essential to ensure the longevity and usability of the biogas plants [Thrän, 2017]. Interviewee Thrän [2017] noted the necessity of quality standards during the construction phase: “it is important to define a certain technical standard or level, to make sure that you also get the benefit for the climate”. To be sure, without measures to ensure quality in building and construction, a well-meaning renewable energy project can quickly backfire. In projects that rely on unskilled labor or informal assistance for the building process, quality measures can be significantly lacking. Specialized training programs for local skilled persons such as masons, construction workers, and engineers can ensure long-term technical capability in biogas programs [Thrän, 2017]. In the training program, the technical aspects of the selected fixed-dome biogas digester should be of primary focus, as well as general training in biogas technology, operations and maintenance, in order to increase the long-term functionality of the digesters for rural households [SNV2006].

Thus, a biogas program must take into consideration the various technical factors required for a high-quality biogas system, including installation requirements, material costs, operation, maintenance, and productive capacity of fixed-dome technology.

### **3.5 Economic Factors**

#### **3.5.1 Economic development of the region**

The region of Tambacounda is economically less developed than other parts of the country, which could negatively affect the adoption of new technologies, such as biogas [ANS2013]. High initial investment costs, among other economic factors, should be well-understood and planned for before attempting to implement a biogas project in the region.

Pastures in Tambacounda represent approximately 16 % of the national area, which shows a big potential for further development of livestock production [ANS2015]. Two main sources of income for the inhabitants of the region are raising cattle and practicing agriculture [POS2003]. The main employment sectors, as were previously mentioned, are agriculture and agro-forestry [ANS2015]. The area lacks any significant industrial activity, and the few other formal sectors where people are commonly employed include construction and public works, with most people working as builders or on road infrastructure [ibid]. According to the report by Miller et al. [MIL2014], about 8 % of all families in the departments of Goudiry and Bakel make their living partially based on the exploitation of natural resources. For approximately 4 % of the households, the income generated from forest-related resource use contributes to over 75 % of their earnings [ibid]. It proves to be especially needed when there is a shortened rainy season, as it then represents the main source of income for rural inhabitants [WUR2010; FAL2015].

#### **3.5.2 Sufficient active demand**

According to research conducted in 2014 by the World Bank, none of the surveyed rural households in Tambacounda were, at the time, satisfied with the fuel they used for cooking, predominantly firewood [BLO2014]. Since people live in close proximity to domestic cooking fuel resources, the main reason for their dissatisfaction is not the cost but the negative impacts on health and time lost when cooking [ibid]. Following the research, 80 % of the rural households in the region have expressed a willingness to use different cooking fuels, with a prevailing 78 % expressing an interest in domestic biogas [ibid].

### 3.5.3 Willingness to pay (WTP)

In rural households of Tambacounda, energy costs represent only 1.5 % of total household spending (compared to 12 % in urban areas), which is below the average fuel expenses of families in other Senegalese regions [BLO2014]. The monthly energy spending of rural households, which amount to 625 CFA francs, is significantly lower than the 6,632 CFA francs spent by urban households [ibid]. Most villagers collect their cooking fuels by themselves and consequently, do not view them as an expense [ibid].

The research carried out by Bloomfield et al. [BLO2014] concluded that the prevailing number of urban and rural households in the region are not willing to pay more than 10,000 CFA francs monthly for either an alternative cooking fuel or cooking stoves. Approximately 16 % of the households in the rural areas expressed an interest in paying between 10,000 and 15,000 CFA francs, with only 2 % willing to spend up to 25,000 CFA francs for an alternative cooking fuel [ibid]. The final conclusion of the survey established a benchmark of 5,000 CFA francs per month to cover households' energy expenses [ibid].

### 3.5.4 The market for existing domestic cooking fuels

In general, the households in rural parts of Tambacounda region rely mostly on firewood for cooking, with charcoal being primarily used only in the urban areas [ibid]. Since all the wood resources around urban zones have been exhausted, urban inhabitants today depend on the reserves coming from far away areas, especially from the eastern part of the country [POS2003].

LPG is used by 3 % of the rural population in the region [BLO2014]. There has been relatively low diffusion of this alternative fuel in rural areas due to the easy access to charcoal and firewood resources [ibid]. Furthermore, in 2009, LPG subsidies were terminated, further discouraging its use [ibid]. Although LPG is offered on the market and can be found in shops, another problem is the reliability of supply, as rural residents must travel long distances to buy and refill the gas cylinders [ibid]. Apart from this, LPG has proven to be too expensive and not as long-lasting as charcoal [WUR2010; BLO2014]. When comparing costs of all available cooking fuels in the region, charcoal and firewood are the cheapest solutions (over three times cheaper than LPG), followed by briquettes [BLO2014]. According to the survey by the World Bank, biogas seems to be the most feasible solution in rural areas of Tambacounda, since it is more suitable and more likely to be accepted than other cooking fuels [ibid].

### 3.5.5 Financing

The installation of a biodigester requires a fairly large financial contribution, since beyond the initial investment, the purchase of auxiliary kitchen equipment, new devices for cooking or lighting and water collection equipment may be necessary [ORS2014]. Thus, affordability is the main issue when trying to implement domestic biogas projects in Tambacounda [Wurster, 2017]. Furthermore, according to interviewee Wurster [2017], “the startup costs and maintenance—those are the two things that will cause a project to fail, because a lot of times, there’s not a significant investment or buy-in from the community”. As interviewee Ndiaye [2017] also pointed out, there are three main ways to finance domestic biogas installations: either with the PNB-SN subsidy, financial support from NGOs, or through different microfinancing schemes.

Only a small number of rural households in the region have savings; on average, they have to borrow funds from formal or informal financial associations in order to cover their expenses [BLO2014]. In fact, 28 % of agricultural households are part of cooperative financial institutions, which offer loans or different forms of saving options [ibid]. On average, annual credit is 77,250 CFA francs per household, which represents over 18 % of their income [ibid]. In general, most credits are used to fund agricultural and livestock-associated expenses, with only a small amount accounting for other items such as cooking equipment [ibid]. By contrast, in urban areas only 29 % of credit is devoted to supporting livestock [ibid]. According to interviewee Wurster [2017], microfinancing is likely to be well developed in Tambacounda as it can be facilitated by “electronic money transfers” and “cell-phone credit as currency”.

Credit obtained from community funds offer another method of getting financial support for the installation of a biodigester [ORS2014; Wurster, 2017]. Such credit requires no initial expenditure by a beneficiary, and is paid back periodically through savings on cooking fuel and fertilizers [ORS2014]. Community-driven funds are usually started by the community members themselves, in which each member contributes smaller deposits, with contributions also coming from local donors [ibid]. As mentioned, a fairly large number of households in the area depend on agriculture as their primary source of income, thus one of the possible ways to cover for biogas expenses could be a seasonal payment system, which would make up for the irregular income from crop production [BLO2014].

Another method that can be used to cover households’ expenses is the World Bank’s Carbon Initiative for Development (Ci-Dev), which has already been successfully implemented in some Sub-Saharan African countries [SEP2016]. The main idea of the initiative is to lower greenhouse gas emissions by employing results-based payments for carbon emissions reduction, which could lead to cleaner and more affordable energy solutions among local communities [ibid].

In Senegal, a carbon finance scheme was designed in December 2016 when Ci-Dev and the Rural Electrification Agency of Senegal (ASER) signed an Emissions Reduction Purchase Agreement (ERPA), with the aim of lowering the amount of greenhouse gas emissions and making electricity more accessible to rural communities in the country [SAH2016]. However, this project focuses on rural electrification, leaving out the development of cleaner cooking techniques.

On the other hand, Ci-Dev has already signed ERPAs with several organizations in other Sub-Saharan countries with the main aim to promote large-scale implementation of biogas digesters [CID-n.d.]. In Kenya, the pilot project was started in 2016 through the signing of an agreement between Ci-Dev and SimGas, a Dutch manufacturing company [ibid]. The main aim was to provide biogas stoves and biodigesters for up to 75,000 Kenyan families [ibid]. Emission reduction units, achieved by the use of cleaner cooking technologies, are then purchased by Ci-Dev, making the project profitable and further lowering the prices of biodigesters, leading to possible scale up of the initiative [SEP2016]. A similar example comes from Burkina Faso, where Ci-Dev has been collaborating with the SNV, focusing on the installation of biogas digesters and improving the living situation for around 35,000 households [CID-n.d.].

In order to facilitate the adoption of biodigesters, the government of Senegal has been partially subsidizing the initial investment costs for all digesters that have been installed as a part of PNB-SN [PNB2010]. At the time of the program initiation, the government declared that their subsidies would cover between 25 to 50 % of the initial price of biodigesters, with the highest subsidy (50 %) given to the beneficiaries of the first 100 pilot biodigesters, and the 25 % contribution given to those installing the following 7900 biogas plants [ibid]. However, according to the information collected, reporting on the subsidy value has been highly variable and inconsistent, with data ranging from 30 to 50 % during the first phase of the PNB-SN, up to 80 % in the second phase of the program, which began in 2015 [KER2011; ADI2011; FAL2014; WIL2015]. The amount of the current subsidy was confirmed by interviewee Ndiaye [2017], who also pointed out that 80 % of the contribution can be “financial or in terms of work and materials for the construction supplied”.

### 3.5.6 Potential to use bio-slurry

Animal dung serves different purposes in Senegalese households; 39 % partially reuse it as a fuel for their cooking, 19 % sell it on to neighbouring crop farmers for a small cost and 42 % do not make use of it [HEG2007]. Untreated manure is frequently used as a fertilizer in countries of Sub-Saharan Africa, since the higher levels of ammonia in the dung boost the initial plant growth [SMI2014]. Furthermore, in Senegal, 57 % of interviewed households who own fields close to the

stables, use animal dung to fertilize their lands [HEG2007]. According to interviewee Wurster [2017], some rural households in Tambacounda are already using manure in some way, frequently mixing it with soil to make manure tea for fertilizer or using it for building purposes.

One incentive for the use of biogas technology is the ability to financially benefit from the byproducts of the biogas making process. The combination of waste and slurry, which is produced together with biogas, can be used as a fertilizer to increase land fertility and improve crop yields [AMI2012; HEG2007; FAL2014]. Bio-slurry can be applied directly to the soil or used indirectly in the compost to accelerate the composting process [HEG2007]. As an organic fertilizer, bio-slurry can increase the yield of crops by 20 to 40 % [ibid]. Interviewee Thrän [2017] confirmed that another advantage of bio-slurry is that it can be stored for longer periods. According to interviewee MasonAVSF [2017] the creation of fertilizer has proven to be very successful. For example, one of the beneficiary families, which was part of the AVSF Biogas Project, reported much higher crop production during the rainy season than usual, which led to an additional income of 441,000 CFA francs from the sale of the products [BIA2014; MasonAVSF, 2017].

Using bio-slurry instead of untreated animal manure can lead to considerable improvements in the amount of nutrients available to plants, which makes the land more fertile [SMI2014; HEG2007]. However, it needs to be applied several times in smaller doses, thus demanding more involvement from the farmers' side, especially when compared to manure, which is applied only once at the beginning of each season [SMI2014]. Another option is mixing slurry and carbon-rich material to make compost, which can be used in the same way as untreated animal manure, but retains higher nutrient levels [ibid].

Using bio-slurry instead of chemical fertilizers has the potential to reduce farmers' expenses and create financial payoffs, since there is no need to buy additional organic substances to help with crop growth [HEG2007]. In Tambacounda, this is of relevance for the farmers who use chemical fertilizers and pesticides in their orchards, which is not only costly but also leads to soil pollution [ANS2015; Wurster, 2017]. Furthermore, it is possible to make money from selling bio-slurry itself [Ndiaye, 2017].

The economic factors, discussed in the preceding analysis, should be among the main considerations when creating domestic biogas programs. High initial investment costs and low WTP of the households in the region may lead to low diffusion of the biogas technology. At the same time, a variety of options on how to finance initial biodigester expenses exists on the market, representing an opportunity for upcoming biogas projects.

### **3.6 Legal Factors**

#### 3.6.1 Land tenure, decentralized jurisdiction and customary law

As fixed dome biogas digesters require a permanent underground installation, they should only be installed on properties where land tenure can be secured and where national and regional legislation supports developments in renewable energy projects [NIS2016].

The discrepancies that arise between both formal and informal law have given rise to many unresolved issues over local control of land tenure rights [USA2010]. Currently, formal state law in Senegal recognizes three tenure types: ownership (applies only to private land), leasehold (applies to state and private land), and occupancy rights (applies to urban and peri-urban land) [ibid]. Since the second half of the 20<sup>th</sup> century, Senegal has increasingly enforced a decentralized approach to land administration among many other sectors of governance [USA2008]. State Law no. 96-07 legally enacted this process in 1996 by reallocating nine state-controlled sectors (Environment and Management of Natural Resources, Health, Population and Social Action, Youth, Planning, Territory Management, Sports and Leisure, Education, and Urbanism and Habitat) to the authority of local communities [ibid].

The Senegalese government passed the National Domain Law in 1964, dividing the country into urban, classified, territorial, and pioneer zones, and further classifying 3 % of land in the country to be privately owned and 97 % to be state-owned [USA2010]. Furthermore, the National Domain Law stipulates that state-owned land cannot be sold, while rural councils are permitted to exercise authority over territorial lands, including agricultural land [PIE2016]. The Rural Community Law of 1972 enabled decisions regarding allocation of land-use rights and productive use of land in rural communities to fall under the local authority of *counseils ruraux* [USA2010]. Furthermore, long-term land use rights can be granted when the land has been occupied for more than three years [USA2010]. Final decisions regarding land-use rights are made by the local council, and are based on the requirement that the land is used productively, and that the occupant is a resident of the community [PIE2016]. Although the exact definition of “productive” land use is as of yet undefined and remains subject to interpretation by rural councils, the use of cleared land and intensive cultivation is highly valued and thus more likely to be recognized under customary law [USA2010]. At present, the ongoing veto power being exercised by the state has contradicted the decentralization approach, and allows for re-allocation of land for development purposes without local consultation [ibid]. Furthermore, the lack of oversight on



state legislation, along with the prevalence of customary law in rural communities, has led to widespread corruption and decision-making based on the interests of local council members [ibid].

Legal implications of the decentralization process on ownership of resources should also be considered. Tambacounda is one of only two regions in the country that is legally allowed to produce charcoal, and is thus responsible for producing a large proportion of the country's supply [WUR2010]. The cutting down of live trees is illegal, and charcoal production requires the granting of a permit by the authorities involved in managing this activity, namely the Forest Service [ibid]. Traditionally, village chiefs are responsible for enforcing customary law and resolving legal disputes between villagers, while forestry chiefs are in charge of managing village forests [ibid]. To deal with the issues arising from the decentralization process, measures have been taken to increase the number of courts, magistrates and court registrars in the countryside, speed up decision-making in court matters, and modify legislation to better reflect the necessary socio-cultural and economic context [ADB2006].

Under customary law in rural areas, land is often communally owned and inherited through generations of male-heirs, although loaning, leasing, and independent ownership is becoming increasingly common [USA2010]. Decisions regarding land use and conflict resolution fall under the jurisdiction of a village leader [PIE2016]. As interviewee Wurster [2017] pointed out, "sometimes the chief isn't from the most affluent family, but, they have the decision-making authority, and they also control the allocation of land." Although land-use rights are formally non-transferable, the prescription of customary and religious laws often mean that the rural council or village chief will approve the request for land to be passed on to sons who continue to use it "productively" [PIE2016]. The existence of both formal and customary law in land-rights allocation is a matter of legal pluralism, whereby the recognition of authority varies depending on acceptance by the local community, however, in areas with commercial agriculture or developed irrigation systems, formal law predominates [USA2010].

The legal recognition of gender equality is also an important aspect of determining land ownership rights. Formal legislation, including the Family Code of 1973, upholds the Muslim law of succession, which stipulates that women receive half of the property inherited by their husbands, and women in polygamous marriages must divide this inheritance among all the wives [ibid]. According to the 2001 constitution, gender equality is a right for all citizens, and land policies also support equal access to land [ibid]. However, formalized laws are not acknowledged at the local level, where customary and Islamic law predominates, and thus women remain dependent on land access through their husbands [ibid]. This would lead to high instability and loss of land rights in the event of a separation

or divorce [ibid]. In general, women tend to be allocated smaller and less productive portions of land, and are more likely to be evicted or displaced with little prior notice, especially in the case of the husband's death or divorce [ibid].

### 3.6.2 Emergency and disaster preparedness legislation

Other relevant legal considerations for a biogas project include national risk assessment and emergency preparedness programs. In the event of such an emergency, programs would need to ensure that emergency food, water, and other essential services are distributed to the population to maintain livelihoods and food security for households and livestock. Senegal is a member of the African Risk Capacity Insurance Company (ARC), the Global Alliance for Resilience Initiative (AGIR), and has established the Emerging Senegal Plan (PSE), to implement resilience measures for food security and climate change [ARC2015]. These initiatives have recently enabled it to distribute and subsidize 14,839 tons of cattle feed to reduce the food insecurity of livestock farmers, while the state also obtained 36.4 billion CFA francs through the Integrating Climate Change Adaptation project to promote sustainable development and environmental protection [ibid]. In addition, drought and food insecurity emergency plans have been drafted for Tambacounda, among other regions of Senegal [ibid]. This is particularly important for Tambacounda, because it is a region that regularly experiences food shortages and has one of the highest rates of poverty in the country [ibid]. These programs show that support structures have been developed to deal with potential emergencies or natural disasters that could seriously impact the biogas project, thus giving the project a greater chance of long-term success and sustainability in a changing climate.

### 3.6.3 Dairy industry legislation

As dairy production has become a major source of income for villagers, national legislation such as the Framework Law on Agroforestry and Pastoralism (LOASP), enacted in 2004, has been implemented to create a long-term plan for improving livestock development and increasing milk production [SEC2016]. Specifically, the law aims to promote the transition towards intensified and sustainable agriculture, improve the living conditions and soil fertility in rural communities, and manage natural resources and the environment [USA2008]. These laws will further incentivize rural dwellers to move away from nomadic pastoralism practices and towards the use of concentrated grazing areas, which would in turn create more appropriate conditions for domestic biogas use.

### 3.6.4 Participation in international agreements on climate change

Finally, legislation set out by national energy policies and international agreements will determine the boundaries and limitations for developing and implementing domestic biogas programs in Senegal. The Senegalese government outlined emissions reductions commitments within their Intended Nationally Determined Contribution (INDC), a non-binding publication of climate action targets and initiatives set forth voluntarily by each nation as a part of the Paris Agreement for the United Nations Framework Convention on Climate Change (UNFCCC) [MED2015]. Senegal's INDC, published by the Ministry of the Environment and Sustainable Development on September 26, 2015, includes an unconditional<sup>3</sup> national target to reduce greenhouse gas emissions by 5 % below the business-as-usual scenario by the year 2030, and a conditional target of 21 % for the same year [ibid]. Conditional targets include commitments to install 49,000 domestic biodigesters by 2030, reducing deforestation by 25 % by the year 2023, and the reforestation of up to 204,000 hectares beginning in 2017 [MED2015; CLI2017]. In addition, Section 2.5.1 of the country's INDC states that the mitigation measures laid out in the emission reduction commitments will have extensive socio-economic benefits, including the creation of over 40,000 jobs, improvement in energy security for rural communities, and the development of the biogas sector through local business and small-scale domestic operations [MED2015]. Thus, there is a favorable environment and strong willingness under existing multilateral commitments to work with international partners in achieving the domestic biogas digester targets. According to the latest updates, the country is set to achieve its renewable energy and GHG reduction targets [CLI2017]<sup>4</sup>. Monitoring of the country's progress, according to the actions outlined in the INDC, will be documented in bi-annual reports and coordinated by the National Committee on Climate Change (COMNACC), the National Adaptation Plan (PNA), and the Air Quality Management Center (CGQA) [ibid].

While renewable energy targets set by the country have not been made legally binding, the implementation of national legislation and policy has demonstrated the government's commitment to renewable energy, and the International Renewable Energy Agency (IRENA) has recognized its excellent track record [ibid]. Several renewable energy policies are currently in force in Senegal, including the Renewable Energy Orientation Law (2010), the National Biogas Program (2009), the Special Programme for Biofuels (2007), and the program for the promotion of renewable energies, rural electrification and sustainable supply

---

<sup>3</sup> Conditional targets require external support from international partners, unconditional targets are to be achieved regardless of external financial support [MED2015].

<sup>4</sup> The INDC is supported by policies such as the Renewable Energy program, the Acceleration Program for Senegalese Agriculture (PRACAS), and the National Plan on Biodiversity (SPNAB) [CLI2017].

of domestic fuel (2004) [IEA2017]. The Renewable Energy Orientation Law<sup>5</sup> is a multi-sectoral regulatory instrument that primarily creates a framework for sustainable renewable energy installations and projects, reducing fossil fuel consumption, diversifying the energy mix, promoting domestic production, promoting technical capacity and equipment for renewable energy installations, and reducing greenhouse gas emissions [ibid]. Furthermore, the law provides definitions of the recognized forms of renewable energy, and defines energy from biodegradable fractions of animal and plant products as a viable renewable energy source [REO2011]. Specifically, the law institutes a complete tax exemption from the purchasing of materials and equipment for domestic renewable energy installations, and tax relief in the purchasing of such equipment in non-domestic renewable energy applications [IEA2017]. The tax exemption policy is an advantageous aspect of developing the domestic biogas program within the country, and provides further incentive to source materials, equipment, and all other financial aspects of the program at a local level.

### 3.6.5 Labor and employment legislation for NGOs

Labor laws and laws governing NGOs are an important consideration for any project implementation team to ensure smooth operability and legal presence within the country. There are no explicit limitations on the formation of NGOs within the country; however, they must maintain public order, and operate in accordance with penal law and international conventions on human rights and freedoms [ICN2017]. The 1968 Civil and Commercial Obligations Code (COCC) sets out regulations that oversee non-governmental organizations, foundations, basic community organizations, professional trade unions, and other associations [ibid]. In order to get special status recognition as an NGO by Article 825 within the COCC, NGOs operating in the country must first register with the Directorate of General Affairs of the Territorial Administration (DAGAT) in the Ministry of the Interior, followed by registration and acquisition of a national identification number by the Directorate of Statistics [ibid]. Before the NGO can be recognized, it must first undergo a two-year probation period as an association, where it should perform and document its main activities. It should be noted that many associations at this level operate as unregistered entities within the country, and that there are no specific requirements to register as an association for this period [ibid]. As a part of the final NGO registration process, it must provide a governing statute and main address, proof of certification from the original country, details of membership organization, a memorandum of the official request, and de-

---

<sup>5</sup> The Renewable Energy Orientation Law provides the legal foundation for the country's INDC (submitted to the United Nations in 2015) [CLI2017].

tails of financial resources for the intended activities [ibid]. An investment program must also be submitted to and approved by the Ministry of Finance [ibid]. Finally, the organization must continue to operate for two years after receiving NGO status, after which an assessment is carried out [ibid]. Officially recognized NGOs will then be exempt from duties on all equipment and material costs, and are permitted to use imported and local vehicles for the NGO activities [ibid]. Although NGOs are unrestricted in their procurement and access to both domestic and international funding, Decree No. 2015-145 states that they must report their financial activities to the Ministry of Finance and Planning, which maintains the right to verify funding sources [ibid].

The Labor Code of 1997 states that workers and professionals are free to form trade unions to protect their rights interests [ibid]. The major labor unions in the country include the National Confederation of Senegalese Workers (CNTS) and the National Association of Senegalese Union Workers (UNSAS) [USD2013]. The installation of biogas digesters in rural villagers may require work contracts to be formally drafted between the NGO and the local workforce, therefore, strict observance of labor code provisions at every stage is a must. According to Article 33 and 34 of the Labor Code of 1997:

“Work contracts that include ‘the establishment of the worker outside of his/her place of habitual residence’ are to be approved by the General Direction of Labor and Social Security within the Ministry of Public Service, Labor, Social Dialogue and Professional Organizations” [DEV2015].

Since biogas digester installations may necessitate travel to a rural community outside of the worker’s residence, such approval processes under a work contract would be mandatory. Furthermore, the duration of the initial installation and construction phase of the project must be specified in fixed-term contracts that cannot exceed two years [MUL2007]. Trial periods can also be conducted before the enforcement of the work contract begins, though they need to be declared in writing, and cannot exceed a period of six months [ibid]. As of yet, there is currently no legislation which forbids the employment of foreigners to sustain employment of the local workforce, however, the organizers should be aware that over reliance on foreign workers would seriously undermine the long-term sustainability of the biogas project [DEV2015].

Forced labor and child labor is illegal in the country, however, over 15 % of children between the age of four and fifteen were still forced to work in 2005, and national legislative bodies responsible for preventing child labor receive inadequate funding [USD2013]. In general, labor legislation is known to be highly complicated and a major disadvantage for foreign investors and companies, especially concerning the long bureaucratic process for terminating employment contracts, even with legitimate reasons [ibid]. Grounds for termination outside

the will of the employer are justified based on mutual consent, inability of the worker to perform duties due to unforeseeable events (force majeure), or death of the worker [MUL2007]. Without a contract, workers can give a 15-day notice for termination of employment without reason, while technicians must give two months notice [ibid]. Contracts of specified duration (fixed-term contracts) can only be terminated before the end of the contract upon the written mutual consent of both parties or in the event of force majeure, otherwise, they are considered wrongful [ibid]. Justified dismissals by the employer are appropriate given “acts of indiscipline or insolence; unjustified absence; violation of professional obligations, civil or criminal offences; and negligence or recklessness” [ibid]. Furthermore, dismissal is also permitted when it is deemed necessary for the interests of the employer, or when there is proof of “misunderstanding or lack of cooperation between the worker and the employer” [ibid]. It should be cautiously noted, however, that the employer would be required to provide evidence and receive approval in these circumstances, which may be extremely difficult or prone to subjective interpretation by authorities.

In the case of unspecified duration contracts, the employer can fire the employee without the consent of the worker, but would be required to give advance written notice and reason [ibid]. Dismissal without a just cause is considered wrongful dismissal, and is subject to legal action. Based on this analysis, termination proceedings within a fixed-term contract are highly restrictive, and therefore entering into a contract of specified duration requires trust and long-term cooperation between the employer and worker. Furthermore, NGOs or other biogas implementing organizations that consider using formal work contracts would need to pay special attention to decide when and if an employment contract is appropriate (i.e. in the case of unskilled vs. skilled labor).

### 3.6.6 Anti-corruption legislation

The development of a successful domestic biogas program and a strong national biogas industry requires a reliable and consistent legal framework. Thus, it is important to consider and evaluate the existence and effectiveness of national policies targeting anti-corruption and money laundering. Awareness of these legislative frameworks combating corruption would be necessary to mitigate long-term financial vulnerabilities in biogas programs, and provide insight into the long-term viability of the biogas program. The Government of Senegal has instituted a number of legal measures to prevent corruption into the Country Financial Accountability Assessment (CFAA) and Country Procurement Assessment Report (CPAR) action plans, as well as the National Good Governance Programme (NGGP) [ADB2006]. In 2003, Law No. 2003-35 enabled the establishment of a National Commission against Non-transparency, Corruption and Misappropria-

tion, which became responsible for managing and investigating cases of corruption reported by citizens [ibid]. It has been well acknowledged that this commission lacks sufficient financial resources and legislative authority to carry out its responsibilities, including a limited ability to conduct investigations [ibid]. Furthermore, there are no existing legal protections for civilians who report cases of corruption, thus creating a major disincentive for engaging with anti-corruption authorities [USA2007]. Additional laws, such as the 2007 Code de Passation des Marchés Publiques, have been recently implemented to reduce corruption in public procurement [ibid]. As of yet, however, many of these reforms have had minimal impact, and corruption still plays a major role in the political-legal-economic landscape [ibid].

The opportunities and barriers posed by the legal environment, such as the regulation of resource use and agriculture, employment and enforcement of property rights in rural areas, and emergency and disaster planning can be used to make informed decisions and to better understand the risks involved in such projects. The decentralized legal system has a large influence on local resource use, determination of property rights, conflict resolution and the implementation of state laws [ibid]. With the correct level of planning and awareness, biogas projects can be suitably implemented while respecting and adhering to both national legislation and customary practices.





## 4 Results

### 4.1 Critical Success Factors

The list of critical success factors was identified and characterized from the PESTEL analysis and interviews (see Table 7). In general, they identify specific concerns, risks, characteristics, and variabilities which necessitate certain decisions or technical adjustments to the implementation process. The critical success factors were then aggregated so that each of them could be addressed as a part of the comprehensive recommendation strategy for future biogas development projects. In total, five categories of major recommendations were formulated to help successfully manage and optimize the overall outcome of biogas projects undertaken in rural Tambacounda:

- Promotion and Communication
- Financing Scheme
- Household Selection and Installation Requirements
- Technical Training and Employment
- Community Development

**Table 7: Critical success factors**

<b>PESTEL Category</b>	<b>Critical Success Factor</b>	<b>Explanation</b>
<b>Economic</b>	<b>Willingness to pay</b>	The average willingness to pay for household energy expenses is low (about 5,000 CFA francs per month).
	<b>Financing</b>	The initial investment for a digester is very high, while only a small number of rural households have financial savings.
	<b>Existing market for cooking fuels</b>	The majority of rural households use firewood as a cooking fuel, followed by charcoal and LPG. Charcoal is primarily used
<b>Economic/Social</b>	<b>Household buying decisions</b>	Due to the fact that men make household buying decisions, a cost-benefit mismatch may occur when promoting biogas.
<b>Environmental</b>	<b>Water availability</b>	Tambacounda is drought-prone and dry; water access can be limited due to poor infrastructure. Climate change exacerbates
	<b>Deforestation</b>	The annual rate of deforestation is 0.5 %, due to ongoing and uncontrolled firewood collection and charcoal production.
	<b>Soil degradation</b>	Climate change and increased use of chemical fertilizers is reducing soil quality and adversely affecting food security.

**(Continuation of Table 7)**

<b>Legal</b>	<b>Land ownership</b>	Some landowners are vulnerable to land expropriation or have insecure land rights.
<b>Legal/Economic</b>	<b>Employment</b>	Highly bureaucratic employment regulations and termination policies.
<b>Political</b>	<b>Transparency and accountability</b>	Corruption and lack of transparency in public spending/projects disrupt local development and lead to mistrust in public institutions.
	<b>Political support</b>	State and local institutions can influence acceptance and funding of project.
<b>Social</b>	<b>Education and knowledge</b>	Education levels and technical skills are limited, and illiteracy is widespread.
	<b>Gender equality</b>	Women and girls are responsible for nearly all household activities, preventing them from attending school or participating in economic activities outside the home.
	<b>Acceptance of foreign initiatives</b>	There is a sense of openness towards foreign initiatives, provided that benefits for the household can be achieved.
	<b>Awareness of biogas technology</b>	Biogas programs have not been widely implemented in Tambacounda, therefore limiting awareness of the technology.
	<b>Local participation</b>	Many development projects are prone to failure because local communities are not adequately included and informed about the process.
	<b>Social cohesion</b>	There is a strong sense of solidarity between villagers; however, new development projects may create unforeseen social tensions.
<b>Technical</b>	<b>Cattle management System</b>	Practices vary substantially among villages and depend on ethnicity; livestock management is becoming more intensive.
	<b>Material transport</b>	Transport to remote regions is difficult due to poorly maintained roads.
<b>Technical/Environmental</b>	<b>Construction specifications</b>	Choice of size, materials are important determinants of investment cost, quality and output of digester. Digester function is vulnerable to weather conditions and climate in Tambacounda.
	<b>Environmental risk</b>	Faulty construction and poor maintenance of biodigester can lead to adverse environmental outcomes. Improper management of bio-slurry can pose additional environmental hazards.
<b>Technical/Social</b>	<b>Long-term maintenance of biodigester</b>	Many biogas programs fail because households do not know how to conduct basic maintenance, or due to lack of proper training.

## **4.2 Promotion and Communication**

Assessments have shown that people would be accepting of biogas technology if benefits were communicated properly<sup>6</sup>. Therefore, a communication strategy highlighting the main benefits and opportunities presented by biogas is crucial. Thus, it is necessary to consider the different languages of Tambacounda's ethnic groups, and to not solely rely on written forms of communication, as a large percentage of the population is illiterate<sup>7</sup>. The ultimate objectives of a promotion and communication strategy are:

- to raise awareness about economic, environmental, social and health-related issues related to the use traditional cooking fuels
- to raise awareness about biogas as an alternative technology with multiple benefits
- to educate villagers on proper installation and maintenance
- to establish the acceptance of biogas by the community
- to spread awareness beyond village borders
- to maximize political support

In order to achieve these objectives, a communication strategy should contain several steps, as confirmed by interviewee Ndiaye [2017]:

„[...] we must not impose this technology but make it accepted by the community. And that can go through negotiations. Training sessions and information on the ins and outs of this new technology should be put in place. People need to know what you want to do. Then, show precisely the benefits of biogas with video feedbacks filmed in other regions. And exchanges between current and future users would be a good idea.“

Thus, the first step should be to provide general information about biogas technology and its benefits to the community where the biogas project is supposed to be implemented. This could happen through a community forum, where the technology is introduced and benefits are communicated. The use of visual media is encouraged. Pictures or videos from other regions, where successful biogas projects have been realized can facilitate understanding. It is recommended to invite existing users of domestic digesters to join the dialogue and answer questions by the community. A special emphasis should be put on communicating the different benefits of biogas technology to the various community members, men and women alike. Interviewee Ndiaye [2017] highlighted:

---

<sup>6</sup> See Section 3.3.6 Awareness and acceptance of biogas technology.

<sup>7</sup> See Section 3.3.3 Education.

„the interest between women and men is not at all the same. Often men are interested in the digestate, that can be used as a good fertilizer. While women are interested in using the gas for cooking. So it is one installation but two interests [...]. One is for agriculture, the man, and one is for the energy and the cooking, the woman. So this needs to be taken into account. “

Households need to be informed about the possibility of making an extra income by either using bio-slurry as a fertilizer or by selling it on. It should be highlighted that the use of bio-slurry can increase crop yields significantly, thus more produce can be sold on markets<sup>8</sup>. Moreover, money spent on chemical fertilizers could be reduced or eliminated, leading to household savings (see Section 4.3 Financing Scheme). Households should also be informed about the significant time savings that can be achieved by biogas, potentially permitting women to participate in economic or leisure activities outside the home<sup>9</sup>. Lighting provided by biogas can enable children to study at evening time and further incentivise the investment. Finally, the environmental benefits of reducing deforestation and improving soil quality could be experienced by the entire community<sup>10</sup>. Considering and communicating these different benefits would be an important step in establishing acceptance and developing greater interest in biogas technology.

After awareness and initial acceptance of biogas technology has been established within the community, further education opportunities should be available for any interested community member. In order to educate villagers on the installation and maintenance of biodigesters, technical training programs should be carried out (see Section 4.5 Technical Training and Employment). Prior to finalizing the initial agreement about a domestic biogas installation, different financing options should be thoroughly discussed and chosen with the households (see step 7 of Section 4.4 Household Selection and Installation Requirements), emphasizing their responsibilities in the process. Every household receiving a digester should also receive a manual containing pictures, as well as guidelines in different languages (depending on the village i.e in Pulaar, Mandika or Wolof<sup>11</sup>). All household members should be informed on the standards of maintenance expected. The division of labor required for running the biodigester should be promoted. This could be achieved by including both men and women in video feedbacks and pictures shown to the community, as well as in training initiatives (see Section 4.5 Technical Training and Employment). Feedback from the households who invested in a digester should be requested on a regular basis, in order to

---

<sup>8</sup> See Section 3.5.6 Potential to use bio-slurry.

<sup>9</sup> See Section 3.3.5 Health and social issues related to the use of traditional fuels.

<sup>10</sup> See Section 3.2.4 Importance of forest and deforestation and Section 3.2.5 Pollution.

<sup>11</sup> See Section 3.3.1 Social groups and their agricultural practices.

improve future communication. Households should be informed about ways to get additional information and support, in case problems with the digester arise.

Collaborations with local and regional interest groups, inter-village councils and community organizations could contribute to increased awareness and knowledge about biogas technology in and beyond village borders and increase local support<sup>12</sup>. This option should therefore be considered. Finally, a successful biogas project should gain local and national political support. This support could be established by enabling continuous dialogue with traditional and “modern” political leaders (village chiefs and rural councils) in the community<sup>13</sup>. Political leaders should be consulted and updated on a regular basis before, during and after the project.

The NGO or project organization should be seen as a reliable and trustworthy source of information and support. A sustainable biogas initiative should thus aim for transparency on all levels: sources of funding, household selection and project outcomes<sup>14</sup>. A publicly accessible project website should be created to facilitate this process. Additionally, local media could be regularly informed on project status and successes.

### **4.3 Financing Scheme**

One of the main problems with the implementation of biogas technology is its affordability<sup>15</sup>. Thus, a special emphasis should be put on designing an appropriate and locally acceptable financing scheme. It is recommended that prior to starting promotional activities (see Section 4.2 Promotion and Communication), a detailed research on the locally accessible financing institutions is conducted. The results should be used to develop different financing schemes, present various financing options and consequent scenarios, and involve households in the selection process (see Section 4.4 Household Selection and Installation Requirements). It should be made clear that the beneficiaries of the program need to contribute, either in money or in material contribution and work. Sufficient funds should be raised by the project implementing organization to cover operational costs for future repairs and any routine check-ups.

Financing options explored in the following text are based on the model community of the RC of Koulor, thus further research might be needed, depending on the time and place of the biogas implementation. A simple formula can be used

---

<sup>12</sup> See Section 3.1.2 Civil society and private sector involvement.

<sup>13</sup> See Section 3.1.1 Political power and governance structures.

<sup>14</sup> See Section 3.1.2 Civil society and private sector involvement.

<sup>15</sup> See Section 3.5.5 Financing.

to assess the amount of money that needs to be provided by the selected household in order to finance the initial investment costs, see equation (11)<sup>16</sup>

$$X = S * X + Y \rightarrow X * (1 - S) = Y \quad (11)$$

where:

X = initial costs

S = subsidy

Y = money provided by the beneficiary

As of January 2018, the national subsidy for domestic biogas implementation projects was 80 % of the total investment for biodigester, including the costs associated with its installation, and “can be financial or in terms of work and material for the construction supplied” [Ndiaye, 2017]. The household needs to meet all the necessary requirements in order to be eligible for a subsidy<sup>17</sup>. The remaining 20 % as in Y, see Equation (11), depends on the cost of labor and material, costs associated with purchase of modified kitchen equipment etc.

From equation (11), Y must be obtained at the beginning of the process and should be paid by the selected household (if they have enough savings). If the amount of savings is not sufficient, an external credit needs to be acquired. In this situation, different financing options<sup>18</sup> should be presented to the beneficiaries of the program, see equation (12):

$$Y = \text{NGO financing} + \text{Community fund} \\ + \text{Microfinancing} + \text{Carbon credit financing} \quad (12)$$

At least one of the mentioned options needs to be employed in order to cover the remaining 20 % of the costs (as of January 2018). In case a household is not eligible for a subsidy, the total amount X, see Equation (11) needs to be covered by one (or several) of the above mentioned options.

First, costs can be covered by a domestic or a foreign NGO interested in domestic biogas projects in the region. In this case, households would not need to borrow any additional funds. It is recommended that an agreement between the selected household and the donor NGO is signed to ensure that the implementation process is transparent and that there are no misunderstandings. Secondly, credit can

---

<sup>16</sup> See Section 3.5.5 Financing.

<sup>17</sup> See Section 3.5.5 Financing.

<sup>18</sup> See Section 3.5.5 Financing.

be obtained from community funds and paid back by the household periodically through savings on cooking fuel and fertilizers. If this is not possible, it is recommended to assist with establishing such funds in the local community to cover future financial needs. The most common way of acquiring necessary credit is by exploring local microfinance institutions. It is recommended to conduct extensive research on the available microfinance institutions in the region in order to ensure that all the viable solutions have been accounted for. In Tambacounda, Caurie-MicroFinance and Jekabara are operating at the moment.

At present, carbon credit financing is only available for rural electrification projects in Senegal. However, examples from Kenya and Burkina Faso show that carbon credit financing is increasingly utilized for domestic biogas projects. Thus, it is recommended to explore the availability of this option at the time of developing a project.

Since the operational costs of a biodigester are negligible<sup>19</sup>, the main burden for the households is to pay off the credit. This can be done in different ways<sup>20</sup>, as illustrated by Equation (13):

$$\begin{aligned} \text{Credit} = & \text{Seasonal payment system} + \text{Monthly installments} \\ & + \text{Income from bioslurry} \end{aligned} \quad (13)$$

A seasonal payment system is the first option to pay off a loan, which can be received from a microfinance institution or community fund. It is an appropriate solution in the area, since a fairly large number of households depend on agriculture as their primary source of income<sup>21</sup>, thus the problem of irregular income from crop production would be eliminated.

Based on the WTP of households<sup>22</sup>, credit can be paid back through monthly installments. Taking into account 450,000 CFA francs for a 6 m<sup>3</sup> biodigester and an established benchmark of 5,000 CFA francs per month (to cover households' energy expenses in Tambacounda), a representative household in Tambacounda would need 18 months<sup>23</sup> in order to pay off their credit.

---

<sup>19</sup> See Section 3.4.6 Materials, installation, and maintenance.

<sup>20</sup> See Section 3.5.5 Financing.

<sup>21</sup> See Section 3.5.1 Economic development of the region.

<sup>22</sup> See Section 3.5.3 Willingness to pay (WTP).

<sup>23</sup> Based on previously developed equation (11), assuming the price of biodigester to be 450,000 CFAf (see Section 3.4.6 Materials, installation and maintenance) and a subsidy of 80 %:  $Y = 450,000 \times 0,2 = 90,000$ , and, Assuming WTP to be 5,000 CFAf per month (see Section 3.5.3 Willingness to pay WTP):  $90,000 \div 5,000 = 18$  months.

The last option to pay off credit is by making use of bio-slurry<sup>24</sup>. It can be sold as a fertilizer to other farmers or it can replace the need to purchase chemical fertilizers. Thus, it is recommended to explore the market and see where the biggest demand for the fertilizer is at the moment. The NGO/biogas program coordinator should establish connections with potential customers or business partners who would be interested in buying fertilizer. Another way of making extra income to help pay off loans is by encouraging selected households to use bio-slurry as a fertilizer on their own land. This could lead to higher crop yields, thus the excess produce could be sold on the local markets and become a source of extra income.

#### **4.4 Household Selection and Installation Requirements**

When determining households and individuals eligible for a biogas digester, it is recommended to connect a single biodigester to the corresponding household, and not to make multiple connections. However, in the household selection process, collaboration should be encouraged (see Section 4.6 Community Development). Since cow manure has proven to be the most widely available and accessible form of feedstock, it should be used as the main source of feedstock<sup>25</sup>. Goat manure can provide supplemental feedstock for co-digestion or be used in the smallest sized digester, if desired by the household. Further research on the use of alternative feedstock should only be considered once the biogas project has been well established and accepted.

According to the results of the analysis, the following process is recommended when selecting households for installing a biodigester:

1. Survey and select rural villages that visibly practice intensive cattle management (i.e. look for animal sheds, cow grazing patterns).
2. Conduct a small group meeting/information session for interested community members that have already been informed about the project (see Section 4.2 Promotion and Communication). Provide a concise overview of the installation process, net investment cost that the household would have to finance (20 % of total investment cost as of January 2018), potential additional expenses, and an overview of financing options (see Section 4.3 Financing Scheme). Discuss and present, with visual aids, three simplified scenarios for one digester size<sup>26</sup>:
  - a. Price of high quality digester and appropriate financing options
  - b. Price of middle quality digester and appropriate financing options
  - c. Price of low quality digester and appropriate financing options

---

<sup>24</sup> See Section 3.5.6 Potential to use bio-slurry.

<sup>25</sup> See Section 3.4.2 Substrates.

<sup>26</sup> See Table 5a and Table 5b in Section 3.4.6 Materials, installation and maintenance.



3. Establish and communicate the basic technical requirements that households need in order to qualify for a biogas digester<sup>27</sup>. Note that for specific installation and construction details, a technical installment manual for the fixed-dome model of choice should be consulted.
  - a. 2-10 cattle, depending on size, or 20 goats (only for a maximum size of 4m<sup>3</sup>)<sup>28</sup>.
  - b. Cattle/goats must be held in animal pens at night or gated for part of the day; holding area/animal pens must be adjacent to the main residence where the biodigester will be connected.
  - c. The biodigester should be located no more than 20 m away from both the animal shed and the kitchen or wherever the light and stove will be installed [SNV2006]. Ensuring proximity to both the feedstock source and the kitchen source will make operating and maintaining the digester more convenient.
  - d. As a means of controlling and mitigating erosion, the digester should be covered with a compact layer of earth that does not erode over time, while the earth used to cover the underground installation should not be too sandy or dry.
  - e. The digester should not be installed in a crowded area (i.e. with many permanent walls, gates or shrubs), as this could limit accessibility to the tank during maintenance or repair operations. Alternatively, it can be installed near a wall or tree that provides partial shade during the hottest hours of the day, in order to maintain a year-round ambient temperature of approximately 35°C. The bio-slurry collection pit should be located in a shaded space and away from any potential groundwater source or food storage areas; covering the pile with a cloth or a simple structure can provide shade.
  - f. Gravitational pipes should be used to facilitate easy movement of substrate and bio-slurry in and out of the digester in order to prevent pipe blockages or malfunctions. If socially acceptable, an additional collection tube can be connected to the latrine to cycle human waste into the tank, thus improving the state of sanitation and providing much-needed waste management for the rural community [SEM2011].<sup>29</sup>
  - g. Each digester size must receive required daily amount of water/manure. Manure must be mixed in a 1:1 ratio with water or cow/goat urine (i.e. 10 kg daily manure from one cow must be mixed with 10

---

<sup>27</sup> See Table 6 in Section 3.4.7 Operability.

<sup>28</sup> Although goats produce higher amounts of biogas per kg of manure in comparison to cattle [HAN2017], at least 20 kg of manure would need to be added to the digester daily, thus making the collection and loading of feedstock extremely time-consuming. Households are encouraged not to exceed the 4 m<sup>3</sup> size digester if only using goat manure.

<sup>29</sup> However, latrine connections should only be considered as an additional project to pursue once the main digester is up and running, as the households and communities would likely need time to get acquainted with biogas technology and bio-slurry usage before accepting the idea of human waste as a feedstock.

L water or urine); animal boreholes or wells must be located within comfortable walking distance or urine collection needs to be otherwise possible.

- h. Households must have well-established or clear land occupancy rights; installation of the biodigester is permanent and cannot be moved<sup>30</sup>.
4. After explaining the critical technical requirements, identify households, families or individuals who are interested in owning/operating a biodigester, receiving training, helping maintain or collect urine/manure, use of cooking stove/bio-slurry, or providing unskilled labor for construction process. Allow time for negotiating between individuals to determine who and how each individual can contribute, and what they can receive in return (i.e. providing unskilled labor in exchange for food, phone credit, reciprocal volunteering assistance). Furthermore, individuals who want to own a digester should ensure that the daily operational and maintenance tasks could be delegated fairly.
5. A site check should be conducted to approve households who want a bi-odigester, and ensure that they meet all conditions set out in step 3. All adult members of the household must consent to and undergo a pre-construction household training (see step 2 of Technical Training and Employment). Two members of the household must agree to attend in-depth household training during installation (see step 5 of Technical Training and Employment).
6. Determine daily cooking and lighting requirements, appropriate digester size and materials for each household. A simplified formula, see equation (14) can determine how many cows are needed and the appropriate digester size needed to meet expected cooking and lighting time (see Table 6):

$$400c = 400x + 175y \quad (14)$$

Where:

c = number of cows

x = total cooking hours

y = total lighting hours [SNV2006]<sup>31</sup>

---

<sup>30</sup> See Section 3.6.1 Land tenure, decentralized jurisdiction and customary law.

<sup>31</sup> Calculated using estimates from SNV Lao PDR [SNV2006]. In this model, worst-case estimates are taken from known values to produce a low-risk formula, which factors in any potential energy loss due to illness, technical malfunction, or low quality feedstock. According to SNV Lao PDR [SNV2006], one cow produces 10-14 kg per day, one cook stove consumes 350-400 L biogas per hour, one lamp consumes 150-175 L biogas per hour, and 1 kg cow manure produces 40 L biogas. Thus, the formula assumes that one cow produces 10 kg daily manure (equivalent to 400 L biogas), one biogas stove consumes 400 L per hour, and one biogas lamp consumes 175 L per hour.

**Table 8: Digester size, resources and energy provision**

Size	Recommended number of cows	Maximum cooking time (assume no lighting)
4 m <sup>3</sup> digester	2-4	2-4 hour
6 m <sup>3</sup> digester	5-6	5-6 hour
8 m <sup>3</sup> digester	7-8	7-8 hour
10 m <sup>3</sup> digester	9-10	9-10 hour

7. Ensure that interested households are aware of and consent to both monetary and non-monetary requirements, as well as maintenance and operation (i.e. bio-slurry collection, manure and water collection, occasional emptying of digester, initial start-up time). Review the chosen financing scheme for covering the remaining 20 %, record audio to keep a record of conversation, and have them sign a written contract (as suggested by interviewee MasonAVSF [2017]). Review timeline and details of construction process.

#### **4.5 Technical Training and Employment**

The training process should aim to maximize involvement, long-term commitment and understanding of biogas technology by the local community<sup>32</sup>. First and foremost, every effort should be made to bring in professionals and workers from the local surroundings, such as from within the household, village, nearby city, or from regional firms or construction agencies within Tambacounda. During the very first biogas installation, the NGO/biogas program coordinator should conduct a “Train the trainers” program, in order to foster the transfer of technical capacity from the very beginning. Those who successfully complete this program will become authorized trainers, and will be largely responsible for the implementation of the digester and the other training sessions. This will enable the NGO/program coordinator to take on a more supportive role, maintaining responsibility only for household selection, provision of financial support for material purchases, and logistical support. In total, there are five major training phases which should be conducted: the “train the trainers” will be the most important step for catalyzing the local technical and training capacity, while the last four will be led by the trained local professionals. To obtain a detailed assessment and overview of funding strategies for the training and implementation program, consultation with financial management experts, local and international grant organizations, as well as financial implementation protocols from relevant NGO programs are recommended.

---

<sup>32</sup> See Section 3.4.8 Technical capacity.

#### 4.5.1 Train the trainers

A group of technical experts, engineers and/or skilled construction workers who speak the local dialect should be trained to become responsible for supervision of installation, materials purchasing, quality control and all subsequent training of unskilled workers. This phase will develop technical capacity among skilled persons and promote entrepreneurial capacity in the long-term. The NGO/program coordinator is responsible for planning and executing this training. Theoretical sessions should be taught before the first digester is installed; practical sessions should be conducted throughout the installation of the first digester. From the second installation onwards, authorized trainers can take on increasing responsibility and independence for leading the project. Beyond the scope of the project, authorized trainers will be equipped to educate and train others in biogas technology, and to pursue further involvement in the biogas sector. The basic structure of the “train the trainers” program should be as follows:

- Scope and nature of the biogas project:
  1. Financing, progress and activities
  2. Institutional support, local laws and regulations
- Biogas technology: technical requirements, environmental impact
- Fixed-Dome Biogas construction, design, sizing, materials:
  1. Digging of pit, base, digester and dome construction
  2. Plastering, outlet, inlet, pipeline and appliance installation
  3. Slurry pit construction and bio-slurry usage
  4. Materials purchasing, invoicing and financial transparency
- Operation and maintenance: roles and responsibilities
- Quality management, supervision and monitoring:
  1. Devising a quality control protocol: conducting pre- and post-construction quality checks, documentation and submitting reports/forms to NGO/program coordinator
  2. Developing a long-term monitoring protocol and communication strategy with NGO/program coordinator
- Developing training programs:
  1. Project management, leadership
  2. Effective training and teaching strategies
  3. Communication
  4. Gender equality, shared responsibility
- Conclusion of training with documentation of events, group discussions and reflection, training feedback, assignment and scheduling of authorized trainers.

#### 4.5.2 General Training Sessions

After the completion of the program, the local authorized trainers should be responsible for developing and conducting the general training sessions for the remainder of the digester implementation, which are briefly summarized below in

Table 9. The general training sessions should each have their own specific purpose and scheduling, and should be developed to target the appropriate audience.

**Table 9: Contents of four general training sessions**

<b>Training Program</b>	<b>Targeted Audience</b>	<b>Duration and Timeline</b>	<b>Content</b>
Pre-construction Household Training, single day	Households approved to receive a biodigester.	-single day, after household approval and before digester installation	-discuss prior knowledge, expectations, responsibilities -operation, maintenance -use of bio-slurry, appliances, repairs and troubleshooting
In-depth Household Training	Two members of household (one male and one female), equal gender representation is key at this point.	-3-5 days, during construction process	-deeper technical training for households, ability to shadow construction process throughout installation
Technical training	Unskilled workers, mason, and volunteers.	-14-16 days, digester construction period	-technical and environmental aspects of construction process -quality construction and technical standards -installation guidance (masonry, plastering, digging)
Post-construction Household Training	Households who have received a newly installed digester.	single day, after installation	-review, discussion, addressing follow-up concerns or questions

#### 4.5.3 Long-term Monitoring and Employment

Furthermore, a long-term monitoring and quality control program should be well defined, and incorporate regular contact and collaboration between the NGO/program and the authorized trainer<sup>33</sup>. In order to establish this, it is advised to issue a two-year fixed-term contract to the technicians who completed the training of trainers course, such that financial compensation as per the fixed-term contract is provided only once the repair or checkup has been completed. Households are responsible to contact the NGO/biogas program organization if the technician did not complete the required duties. For long-term monitoring and repairs after the two-year fixed contract, a standardized process should be arranged to ensure that any necessary technical repairs are conducted and compensated professionally. For example, in the case of a technical repair, households should first contact the NGO/program coordinator and lodge a request. The program coordinator should

<sup>33</sup> See Section 3.6.5 Labor and employment legislation for NGOs.

review and approve the request, and then, with the approval of the household, contract a local authorized trainer/technician to visit the household and complete necessary repairs. After completion, the household should confirm and report whether the task was completed in a timely and professional manner, while the technician must also submit a technical report including images of the repair process (before and after). Upon approval, compensation can then be provided.

#### **4.6 Community Development**

To create a biogas initiative that is sustainable on an economic, environmental and social level, it is imperative to ensure that biogas does not remain a luxury for the few that can afford it, but rather an option that all members of the local community can benefit from in one way or another. In order to achieve this objective, the project needs to be tailored to the specific cultural environment of the community<sup>34</sup>. A successful strategy should include goals agreed upon by the local population and encourage their involvement, thus making biogas a village initiative.

In order to sustain knowledge on biogas technology in a village, is important that not only select villagers receive education on the functioning and maintenance of the digesters. Community forums, informative materials (see Section 4.2 Promotion and Communication) and the technical training of peers can achieve this objective (see Section 4.5 Technical Training and Employment).

In order to diminish inequalities between and within households<sup>35</sup>, several options exist. First of all, partnerships between households should be promoted. In this way, households who do not own enough livestock can collaborate with others in collecting the sufficient amount of manure, either voluntarily or as part of a contractual agreement, thus potentially creating job opportunities. For example, the collection of cow urine and manure are tasks that could be taken on by households that have insufficient resources, yet want to benefit from a digester.

It should be noted that household roles<sup>36</sup> of men, women and children have been established over time and will likely not change throughout a short-term project. However, households should be assisted in establishing a sense of shared responsibility in maintaining and feeding the digester. This could be achieved by involving different household members in training (see Section 4.5 Technical Training and Employment) and by communicating how different household members can benefit from the digester in accordance with their household responsibilities (see Section 4.2 Promotion and Communication). Collaborations

---

<sup>34</sup> See Section 3.3.6 Awareness and acceptance of biogas technology.

<sup>35</sup> See Section 3.3.5 Health and social issues related to the use of traditional fuels.

<sup>36</sup> See Section 3.3.2 Households.

### *Implementing sustainable domestic biogas projects in Senegal*

with local interest groups, initiatives as well as community organizations can enable and facilitate villager participation in biogas projects and should thus be established. For the RC of Koulor, one of the existing organizations with whom a collaboration would be possible is the Arafat association, which aims to improve the living conditions of women in the region.





## **5 Conclusion**

The intended aim of this work was to provide a recommendation strategy for the implementation of a sustainable biogas program in rural Tambacounda, Senegal. The impoverished region has been experiencing ongoing environmental degradation due to the heavy reliance on traditional cooking fuels. Additionally, indoor air pollution adversely affects the health and quality of life of Tambacounda's inhabitants. After the suitability of the region and the clear demand for biogas technology in the region were confirmed, the rural community of Koulor was chosen as a representative area for implementing a biogas initiative. Consequently, the ultimate objective of this research was to improve the livelihoods for those at the bottom of the pyramid<sup>37</sup> by answering the following research question:

*What strategies can be used to implement an equitable, environmentally sustainable, and independently manageable domestic biogas program in rural Tambacounda, Senegal?*

Several political, economic, socio-cultural, technical, environmental and legal factors, relevant for the implementation of biogas, were identified through extensive literature research and four semi-structured expert interviews. Out of all of these factors, those critical for the success of a biogas initiative were selected based on specific criteria. A recommendation strategy was then formulated to address these factors, and was categorized into Promotion and Communication, Financing Scheme, Household Selection and Installation Requirements, Technical Training and Employment, and Community Development.

In all promotion and communication activities, openness, inclusivity, and transparency about the biogas project were recommended to ensure that all members of the community have equal access to information and equal opportunity to get involved. By providing educational opportunities to all, community development and equal participation are fostered. Furthermore, communicating the benefits of biogas technology to community members promotes awareness and acceptance of the technology. Another important aspect of this category was to ensure continuous political support by consulting and informing local authorities, such as the village chief and rural council, throughout the implementation process.

The financing scheme enables underprivileged households to benefit from biogas, despite the high investment costs. Through providing a variety of alternative

---

<sup>37</sup> Bottom of the pyramid (BOP), also called base of the pyramid, refers to the poorest two-thirds of the economic pyramid, a group of more than four billion people living on less than \$ 2 per day [WIN2014; PRA2006].

credit options and the use of the national subsidy program, the upfront costs of the digester can be minimized in the short-term, and a manageable payment plan can enable households to pay off the costs in a reasonable timeframe. Finally, the financing scheme provides households with information about opportunities to benefit from biogas technology in the long-run, for example, by establishing monetary savings.

The household selection strategy should be equitable, and enable all community members to get involved in training, learning and construction, even if they themselves cannot obtain a digester. Through this process, the project can promote team-building and a sense of communal benefit. Installation requirements focus on implementing technical standards in the context of the local environment and climate of Tambacounda. In this way, appropriate measures can be taken to ensure smooth functioning of the digester, reduce technical malfunctions that would cause leakages or other environmental hazards, and promote a healthy and clean environment. Furthermore, the substitution of biogas for cooking fuel in place of firewood will lead to drastic improvements in indoor air quality and deforestation, thus leading to many tangible environmental benefits.

The technical training process is intended to be inclusive, exhaustive, and multifaceted. The training of local technicians promotes long-term development of the biogas sector in the region, as these technicians can independently supervise and oversee the installment digesters in future entrepreneurial endeavours. Maximizing the technical capacity of the local workforce is a key element of ensuring the biogas project can be independently sustained by the communities themselves, and is a primary indicator of success for viability. Meanwhile, community members and households can be trained so that they are self-sufficient and confident in understanding how the technology works, and how to troubleshoot in the event of malfunction. In addition, a well-developed training program should disseminate knowledge about environmental issues and benefits of the technology, so that villagers become more aware of the effects of climate change and how to preserve a healthy environment.

The strategy for fostering community development promotes a communal approach and an atmosphere of solidarity throughout the installation process. With this approach, households are able to negotiate among themselves and form strategic partnerships with other individuals to exchange services such as construction labor, digester maintenance, or manure collection in exchange for cooking time, bio-slurry use, or other resources. In addition, establishing collaborations with community organizations or initiatives ensures the long-term sustainability of the project, inclusion of locals as well as the promotion of biogas beyond village borders.

Communal digesters are an option that could be explored in further research or within already well-established biogas programs. However, there are greater technical barriers due to the increased complexity of piping installations, thus, it is necessary that households are located in close proximity to one another. Furthermore, this option could be suitable for households whose land rights are uncertain, as the village chief or rural council could allocate communal land for a shared digester. Whether or not households would accept using human waste as an input for a biodigester is a question that has not been sufficiently answered in research specifically relating to Senegal. However, latrine connections may be promising, due to their ability to contribute to communal hygiene and health, and should thus be considered in further research. A rural electrification project in Tambacounda involving the co-digestion of human waste and cow dung (currently being planned by interviewee Ndiaye [2017]) could provide valuable insights into the acceptability of this feedstock in the near future.

In general, the co-digestion of other primary manures, such as goat manure and horse manure, should be explored. Goat manure is ideal for smaller digesters, but becomes problematic during manure collection for larger sizes, due to the relatively small volume and scattered distribution of manure. However, co-digestion of different manures, along with agricultural and organic wastes, could help to alleviate the limited access to biogas for households who do not own cattle. More experimentation with co-digestion should be carried out at demonstration sites or with the willing involvement of local residents, as uncertain levels of biogas production may not be able to satisfy household cooking requirements.

Although this work does not present a full scope of all potential considerations related to implementing domestic biogas programs, the analysis culminated into a cohesive strategy that was able to address the research question with considerable depth. In addition to this work, an in-depth overview of the financial resources required for implementation, maintenance and training should be carried out by the organization prior to the commencement of the project. In accordance with the presented findings, the creation of sustainable, equitable and independently manageable biogas projects could lead to significant improvements in clean energy access, socio-economic conditions, and the environment of local communities in rural Tambacounda.



## **6 Discussion**

There are certain limitations related to the chosen methodology and the scope of the research topic which should be noted. One such limitation includes the fact that some of the findings from the analyses were based on ambiguous or uncertain data, especially with respect to environmental and political circumstances. For example, it is unknown exactly how climate change may affect the microenvironment of local villages. This in turn may have an impact on the functionality of biodigesters. Furthermore, it is uncertain how susceptible local communities will be to migration and urbanization, both of which can be influenced by climate change, economic incentives or social unrest. Other data, such as information about subsidy programs and government programs supporting clean energy, are vulnerable to sudden changes due to limited resource capacity, weak political enforcement, and corruption. Ultimately, this may impede the applicability of the given recommendations when implementing biogas technology in the selected region.

Furthermore, in regard to the PESTEL analysis itself, overlapping information between the pre-defined categories could lead to redundancies. Additionally, some data might be highly relevant for multiple categories, however, the desire to avoid repetition could mean that it is only discussed in one section, potentially leading to an under-representation of certain data. Ultimately, the tendency to represent all six sectors of the PESTEL analysis as equally relevant could lead to a biased interpretation of the results.

Collecting data from secondary sources can provide a well-rounded understanding of a given subject. However, a better grasp of local conditions and other important considerations could be achieved by considering empirical data through on-site field research and additional interviews conducted with stakeholders in the respective region. Although the data from the RC of Koulor was used to characterize the local conditions for biogas technology within the rural community as well as throughout other rural areas of Tambacounda, the 45 villages of the RC are themselves subject to variations in ethnicity, livestock management practices and water access. This brings light to the inherent variability and diversity that exists throughout Tambacounda, which can in turn lead to drastically different scenarios for biogas suitability. In general, the recommendations outlined in this work are designed to be as specific and accurate as possible, however, in some cases, the data will not necessarily reflect the conditions in all rural communities, especially in areas bordering different ethnic and socio-economic zones as well as regional/national borders. Ultimately, a concrete on-site analysis of the area of interest is always recommended before deciding on a location for implementing biogas.



## List of References

- [‘500 bio-digesteurs’ 2016] 500 BIO-DIGESTEURS PRÉVUS DANS LA RÉGION DE TAMBACOUNDA. (2016, July 22). Retrieved November 29, 2017, from <http://www.tambacounda.info/2016/07/22/500-bio-digesteurs-prevus-region-de-tambacounda/>
- [ADI2011] ADIGBLI, K. E. (2011, Sept 19). *West Africa: Households Turning to Cow Dung for Energy*. Retrieved December 15, 2017, from <http://www.ipsnews.net/2011/09/west-africa-households-turning-to-cow-dung-for-energy/>
- [ADB2006] AFRICAN DEVELOPMENT BANK GROUP. *Republic of Senegal. Country Governance Profile Report*. ADBG, Senegal, March 2006.
- [ARC2015] AFRICAN RISK CAPACITY. *Republic of Senegal, Operations Plan*. ARC, Senegal, November 2015.
- [ANS2015] AGENCE NATIONALE DE LA STATISTIQUE ET DE LA DEMOGRAPHIE (ANSD). *Situation Economique et Sociale de la Région de Tambacounda, édition 2014*. ANSD, Dakar, March 2015.
- [ANS2015] AGENCE NATIONALE DE LA STATISTIQUE ET DE LA DEMOGRAPHIE (ANSD). *Chapitre 3 Agriculture*. In: *Situation Economique et Sociale de la Région de Tambacounda, édition 2013*. ANSD, Dakar, April 2015.
- [ANS2015] AGENCE NATIONALE DE LA STATISTIQUE ET DE LA DEMOGRAPHIE (Ansd). *Chapitre 1 Demographie*. In: *Situation Economique et Sociale de la Région de Tambacounda, édition 2013*. ANSD, Dakar, April 2015.
- [ANS2013] AGENCE NATIONALE DE LA STATISTIQUE ET DE LA DÉMOGRAPHIE (ANSD). *Rapport définitif de la deuxième Enquête de Suivi de la Pauvreté au Sénégal (ESPS II)*. ANSD, Dakar, May 2013.
- [ANS2014] AGENCE NATIONALE DE LA STATISTIQUE ET DE LA DEMOGRAPHIE (ANSD). *Chapitre III: ALPHABÉTISATION, SCOLARISATION, NIVEAU D’INSTRUCTION ET*

- FORMATION PROFESSIONNELLE*. In: Rapport Definitif: Recensement Général de la Population et de l'Habitat, de l'Agriculture et de l'Elevage 2013. ANSD, Dakar, September 2014.
- [ANS2014] AGENCE NATIONALE DE LA STATISTIQUE ET DE LA DEMOGRAPHIE (ANSD). *Chapitre II: MENAGE*. In: Rapport Definitif: Recensement Général de la Population et de l'Habitat, de l'Agriculture et de l'Elevage 2013. ANSD, Dakar, September 2014.
- [ANS2017] AGENCE NATIONALE DE LA STATISTIQUE ET DE LA DÉMOGRAPHIE (ANSD). (2017). *Indicateurs*. Retrieved November 17, 2017, from [http://www.ansd.sn/index.php?option=com\\_regions&view=region&id=3&Itemid=1223](http://www.ansd.sn/index.php?option=com_regions&view=region&id=3&Itemid=1223)
- [ANS2017] AGENCE NATIONALE DE LA STATISTIQUE ET DE LA DÉMOGRAPHIE (ANSD). (2017). *Incidence de pauvreté (en %)*. Retrieved November 17, 2017, from [http://www.ansd.sn/index.php?option=com\\_regions&view=regions&Itemid=213](http://www.ansd.sn/index.php?option=com_regions&view=regions&Itemid=213)
- [ALS2008] AL SEADI, T.; RUTZ, D.; PRASSL, H.; KÖTTNER, M.; FINSTERWALDER, T.; VOLK, S.; JANSSEN, R.: *Biogas Handbook*. Esbjerg, Denmark: University of Southern Denmark Esbjerg.
- [ALL2001] ALLEN, M.: *The Organisation and the Macro-environment*. In: *Analysing the Organisational Environment*. UK: Select Knowledge Limited.
- [AMI2010] AMIGUN, B.; BLOTTNITZ, H.: *Capacity-cost and location-cost analyses for biogas plants in Africa*. In: *Resources, Conservation and Recycling*, 55, p. 63–73.
- [AMI2012] AMIGUN, B.; PARAWIRA, W.; MUSANGO, J. K.; ABOYADE, A. O.; BADMOS, A. S.: *Anaerobic Biogas Generation for Rural Area Energy Provision in Africa*. In: Kumar, S. (Hrsg.): *Biogas*. Rijeka, Croatia: InTech.



- [BA2017] BA, M.; MÉDOC, J. M.: *WABEF Support to Renewable Energy Development in Senegal*. In: *Urban Agriculture Magazine*, 32, p. 24-25.
- [BAS2004] BASU, R.: *Tools for analysis - PESTEL analysis*. In: *Implementing quality: A Practical Guide to Tools and Techniques*. London, UK: Thomson Learning.
- [BIA2014] BIAGUI, E. P., NIANG, M.: *Rapport d'activites 2014 Projet Ferlo*. In: *Internal AVSF (Agronome et Vétérinaires Sans Frontières) report*, unpublished.
- [BLA2006] BLACKDEN, C. M., WODON, Q. (Hrsg.): *Gender, time use, and poverty in sub-Saharan Africa* (World Bank Working Paper No. 73). Washington, D.C., USA.
- [BLO2014] BLOOMFIELD, E.; NDOUR, A.; SARRA, S.; GUEYE, Y. D.; KHENNAS, S.; LAKEW, H.: *Baseline and feasibility assessment for alternative cooking fuels in Senegal*. The World Bank, Washington, D.C., May 2014.
- [BRE2014] BREW-HAMMOND, A.; MENSAH, G. S.; AMPONSAH, O.: *Energy Poverty in Sub-Saharan Africa: Poverty Amidst Abundance*. In: HALFF, A.; SOVACOOOL, B. K.; ROZHON, J. (Hrsg.): *Energy poverty: global challenges and local solutions*. Oxford, UK: Oxford University Press.
- [BRU2014] BRUUN, S.; STOUJANN JENSEN, L.; KHANH VU, V. T.; SOMMER, S.: *Small-scale household biogas digesters: An option for global warming mitigation or a potential climate bomb?* In: *Renewable and Sustainable Energy Reviews*, 33, p. 736-741.
- [CHA1992] CHASTANET, M.: *Survival Strategies of a Sahelian Society: The Case of the Soninke in Senegal from the Middle of the Nineteenth century to the Present*. In: *Food and Foodways*, 5(2), S. 127-149.
- [CHÁ2016] CHÁVES-FUENTES, J.; CAPOBIANCO, A.; CZÖLDE-ROVÁ, M.; HUTNAN, M.: *Manure from our agricultural animals: A quantitative and qualitative analysis focused on biogas production*. Bratislava, Slovakia and Naples, Italy.

- [CID-N.D.] CARBON INITIATIVE FOR DEVELOPMENT (CI-DEV). (n.d.). *West Africa Biodigesters*. Retrieved December 16, 2017, from <http://www.ci-dev.org>
- [CID-N.D.] CARBON INITIATIVE FOR DEVELOPMENT (CI-DEV). (N.D.). *Kenya: SimGas Biodigesters*. Retrieved December 15, 2017, from <http://www.ci-dev.org/SimGas>
- [CID-N.D.] CARBON INITIATIVE FOR DEVELOPMENT (CI-DEV). (N.D.). *Projects*. Retrieved December 15, 2017 from <https://www.ci-dev.org/Projects>
- [CID-N.D.] CARBON INITIATIVE FOR DEVELOPMENT (CI-DEV). (N.D.). *Senegal: Rural Electrification*. Retrieved December 15, 2017, from <https://www.ci-dev.org/SenegalRE>
- [CDM2012] CLEAN DEVELOPMENT MECHANISM SMALL-SCALE WORKING GROUP (CDM- SSC WG). (2012). *Top-down development of standardized approaches for rural energy supply (biogas)*. Retrieved November 20, 2017, from [https://cdm.unfccc.int/Panels/ssc\\_wg/meetings/036/ssc\\_036\\_an10.pdf](https://cdm.unfccc.int/Panels/ssc_wg/meetings/036/ssc_036_an10.pdf)
- [CSC2016] CLIMATE SERVICE CENTER GERMANY (GERICS). *Climate-Fact-Sheet; Senegal - The Gambia (Fact sheet)*. Hamburg, Germany.
- [CLI2017] CLIMATESCOPE 2017. (2017). *Senegal 2030 Emissions Reduction Target*. Retrieved from <http://global-climatescope.org/en/policies/#!/policy/5044>
- [CLI2017] CLIMATESCOPE 2017. (2017). *Senegal Renewable Energy Target*. Retrieved from <http://global-climatescope.org/en/policies/#!/policy/3857>
- [DAI2012] DAIRY NZ. (2012). *Standing dairy cows off pasture – a potential mitigation strategy to reduce nitrate leaching (7-25)*. Retrieved December 5, 2017, [https://www.dairynz.co.nz/media/255954/7-25\\_Standing\\_cows\\_off\\_pasture\\_2012.pdf](https://www.dairynz.co.nz/media/255954/7-25_Standing_cows_off_pasture_2012.pdf)
- [DEV2015] DEVILLARD, A.; BACCHI, A.; NOACK, M.: *Country Chapters - Senegal*. In: A Survey on Migration Policies in West Africa. Vienna, Austria and Dakar, Senegal: International Centre

for Migration Policy Development and International Organization for Migration.

- [DIA2010] DIALLO, I.: *The politics of national languages in postcolonial Senegal*. Amherst, NY: Cambria Press.
- [ESP2012] ESPOSITO, G.; FRUNZO, L.; LIOTTA, F.; PANICO, A.; PIROZZI, F.: *Bio-Methane Potential Tests to Measure the Biogas Production from the Digestion and Co-Digestion of Complex Organic Substrates*. In: *The Open Environmental Engineering Journal*, 5, p. 1-8.
- [FAL2014] FALL, S. (2014, August 8). *Scaling up the use of biogas technology in rural Senegal*. Retrieved December 10, 2017 from <http://africanclimate.net/en/cases/scaling-use-biogas-technology-rural-senegal>
- [FAL2015] FALL, P. (2015, January 28). *Senegal: Building Resilience for Rural Communities*. Retrieved January 10, 2018 from <https://www.wfp.org/stories/senegal-building-resilience-rural-communities>
- [FAY2006] FAYE, P. (2006). *Décentralisation, pluralisme institutionnel et démocratie locale: Étude de cas de la gestion du massif forestier Missirah/Kothiary (région de Tambacounda, Sénégal)*. Conseil pour le développement de la recherche en sciences sociales en Afrique (CODESRIA), Dakar, May 2006.
- [FAY2017] Faye, P., Haller, T., Ribot, J.: *Shaping Rules and Practice for More Justice. Local Conventions and Local Resistance in Eastern Senegal*. In: *Human Ecology*, p. 1-11.
- [FAL-N.D.] FONDATION AIR LIQUIDE. (N. D.). *Development of biogas in Senegal with Agronomes et Vétérinaires Sans Frontières (AVSF) association*. Retrieved December 15, 2017 from <https://www.fondationairliquide.com/en/development-biogas-senegal-0>
- [FHR2017] FREEDOM HOUSE RANKINGS. (2017). *Senegal*. Retrieved January 11, 2018 from <https://freedomhouse.org/report/freedom-world/2017/senegal>
- [GAY2007] GAYE, A. (2007). *Access to energy and human development (UNDP Human development report, 2007/2008)*. Retrieved February 7, 2018 from [http://purocihle.rrojasdata-bank.info/gaye\\_amie.pdf](http://purocihle.rrojasdata-bank.info/gaye_amie.pdf)

- [GOL2014] GOLDENBERG, S. (2014, March 31). *Climate change: the poor will suffer most*. Retrieved January 15, 2018 from <https://www.theguardian.com/environment/2014/mar/31/climate-change-poor-suffer-most-un-report>
- [GUP2014] GUPTA, V. K., TUOHY, M. G., KUBICEK, C. P., SADDLER, J., XU, F. (Hrsg.): *Bioenergy Research: Advances and Applications*. Oxford, UK: Elsevier.
- [HAN2017] HANAFIAH, M. M., MOHAMED ALI, M. Y., ABDUL AZIZ, N. I. H., ASHRAF, M. A., HALIM, A. A., LEE, K. E., IDRIS, M.: *Biogas production from goat and chicken manure in Malaysia*. In: *Applied Ecology and Environmental Research*, 15(3), p. 529-535.
- [HEG2007] HEEGDE, F., DIOP, L., UKKERMAN, R. *Report on the feasibility study on a national programme for domestic biogas in Senegal*. Agence Senegalais d'Electification Rurale (ASER) and SNV-Netherlands Development Organization – West Africa (SNV-WA), The Hague, September 2007.
- [HEG2007] HEEGDE, F., SONDER, K. (2007). *Domestic biogas in Africa; a first assessment of the potential and need (Draft / Discussion Paper)*. Retrieved December 12, 2017 from <https://bibalex.org/baifa/Attachment/Documents/172329.pdf>
- [HRU2011] HRUBESCH, C.: *Les énergies renouvelables: les bases, la technologie et le potentiel au Sénégal*. Dakar, Senegal: GIZ - PERACOD.
- [HUB2007] HUBA, E. M., FALL, P. A., SANOGO, O., KABORE, G., BRACKEN, P. *Feasibility Study for a National Domestic Biogas Programme in Burkina Faso*. GTZ, Eschborn, July 2007.
- [ICN2017] THE INTERNATIONAL CENTER FOR NOT-FOR-PROFIT LAW (ICNL). (2017). *Civic Freedom Monitor: Senegal*. Retrieved December 11, 2017 from <http://www.icnl.org/research/monitor/Senegal.html>
- [IEA2017] INTERNATIONAL ENERGY AGENCY (IEA). (2017). *Renewable Energy Law*. Retrieved December 5, 2017 from <https://www.iea.org/policiesandmeasures/renewableenergy/?country=Senegal>

- [IEA2017] INTERNATIONAL ENERGY AGENCY (IEA). (2017). *Senegalese National Biogas Programme Phase I*. Retrieved December 5, 2017 from <https://www.iea.org/policiesandmeasures/renewableenergy/?country=Senegal>
- [IEA2017] INTERNATIONAL ENERGY AGENCY (IEA). (2017). *2007-2012 Special Programme for Biofuels*. Retrieved December 5, 2017 from <https://www.iea.org/policiesandmeasures/renewableenergy/?country=Senegal>
- [IEA2017] INTERNATIONAL ENERGY AGENCY (IEA). (2017). *Program for the promotion of renewable energies, rural electrification and sustainable supply in domestic fuel (PERACOD)*. Retrieved December 5, 2017 from <https://www.iea.org/policiesandmeasures/renewableenergy/?country=Senegal>
- [IEA2017] INTERNATIONAL ENERGY AGENCY (IEA). (2017). *World Energy Outlook*. Retrieved December 9, 2017 from <https://www.iea.org/weo2017/>
- [IEA2017] INTERNATIONAL ENERGY AGENCY (IEA). (2017). *Energy Access Outlook 2017*. Retrieved February 7, 2018 from <https://www.iea.org/access2017/>
- [IEA2017] INTERNATIONAL ENERGY AGENCY (IEA). (2017). *Policies and Measures Renewable Energy Senegal*. Retrieved December 5, 2017 from <https://www.iea.org/policiesandmeasures/renewableenergy/?country=Senegal>
- [IMF2013] INTERNATIONAL MONETARY FUND (IMF). *Senegal: Poverty Reduction Strategy Paper (IMF Country Report No. 13/194)*. IMF, Washington, D.C., July 2013
- [IRE2013] INTERNATIONAL RENEWABLE ENERGY AGENCY (IRENA). *Senegal Renewable Readiness Assessment 2012*. IRENA, Abu Dhabi, 2012.
- [JUS2015] JUSRUT, P. *The process of institutional choice and recognition for decentralized forest management in charcoal-producing zones of Tambacounda, Senegal (RFGI Working Paper No. 32)*. Conseil pour le développement de la recherche en sciences sociales en Afrique (CODESRIA), Dakar, 2015.

- [KAN1992] KANWAR, S.; KALIA, A.: *Anaerobic fermentation of sheep droppings for biogas production*. In: World Journal of Microbiology and Biotechnology, 9(2), p. 174-175.
- [KER2011] KERNAN, A. (2011, December). *Senegal Program Converts Animal Waste to Fuel and Fertilizer*. Retrieved November 29, 2017, from <https://cleanenergysolutions.org/news/blog/senegal-program-converts-animal-waste-fuel-and-fertilizer>
- [KHA2013] KHATAVKAR, A.; MATTHEWS, S.: *Bio-Latrines*. United Kingdom: Practical Action.
- [KRE1990] KREIKE, E.: *Report to the Senegal agricultural sector analysis: Local communities, renewable natural resources management, and sustainable agriculture in Senegal*. Washington, D.C.: United States Agency for International Development.
- [KUE2005] KUENZI, M.: *Non-formal education and community development in Senegal*. In: Community Development Journal, 41(2), p. 210-222.
- [KUM2015] KUMAR, A.; MANDAL, B.; SHARMA, A.: *Advancement in Biogas Digester*. In: SHARMA, A.; KAR, S. K. (Hrsg.): *Energy Sustainability Through Green Energy*. New Delhi, India: Springer India.
- [LAS2010] LASCANO, G.; ZANTON, G.; HEINRICHS, A.; WEISS, W.: *Technical note: A noninvasive urine collection device for female cattle: modification of the urine cup collection method*. In: Journal of Dairy Science, 93(6), p. 2691-2694.
- [LUO2011] LUOSTARINEN, S.; NORMAK, A.; EDSTRÖM, M.: *Baltic Forum for Innovative Technologies for Sustainable Manure Management. Overview of Biogas Technology*. Retrieved November 18, 2017 from [http://balticmanure.odeum.com/download/Reports/baltic\\_manure\\_biogas\\_final\\_total.pdf](http://balticmanure.odeum.com/download/Reports/baltic_manure_biogas_final_total.pdf)
- [MAR2016] MARREE, F. (2016). *Report of the Africa Biogas and Clean Cooking Conference, 5-7 April 2016. Addis Abeba, Ethiopia*. Retrieved February 9, 2018 from <https://de.slideshare.net/FredMarree/report-of-the-africa-biogas-and-clean-cooking-conference-57-april-2016-62612480>
- [MAT2003] MATA-ALVAREZ, J. (Hrsg.): *Biomethanization of the Organic Fraction of Municipal Solid Waste*. London, United Kingdom.

- [MAT2016] MATUSZEWSKA, A.; OWCZUK, M.; ZAMOJSKA-JAROSZEWICZ, A.; JAKUBIAK-LASOCKA, J.; LASOCKI, J.; ORLIŃSKI, P.: *Evaluation of the biological methane potential of various feedstock for the production of biogas to supply agricultural tractors*. In: *Energy Conversion and Management*, 125, p. 1-11.
- [MCC2015] MILLENIUM CHALLENGE CORPORATION. *UNLOCKING. TRANSFORMING. SECURING: 2015 SENEGAL COMPACT: Vitalizing the Future of Senegal through Road Rehabilitation, Irrigation & Water Resources Management and Land Tenure Security*. MILLENIUM CHALLENGE ACCOUNT - MCA SENEGAL, Dakar, 2015.
- [MIL2014] MILLER, D.; WASSON, M.; TRAZSKA, S.; COXON, S.-K.; DINSHAW, A.; MCGRAY, H.; BAPTISTA, S.; RIO, A.; BROTTM, L.; FINAN, T.; BARO, M.; LO, H. M.; DIALLO, M.; DIEYE, A. M.; SALL, A. D. S. D. G. F. A.; SALL, B.; DIOP, M.; LEYE, M.; NDOUR, Y.; NGOME, Y.; TOURE, K.; SALL, M.: *Senegal Climate Change Vulnerability Assessment and Options Analysis*. Washington, DC, USA.
- [MED2015] MINISTÈRE DE L'ENVIRONNEMENT ET DU DEVELOPPEMENT DURABLE (MEDD). *Contribution Prevue Determinee au Niveau National (CPDN)*. MEDD, Dakar, September 2015.
- [MPE2015] MINISTÈRE DU PÉTROLE ET DES ENERGIES. (2015). *PNB-SN: Programme National De Biogaz Domestique*. Retrieved January 10, 2017 from <http://www.energie.gouv.sn/content/pnb-sn>
- [MUL2007] MULLER, A. (2007). *Termination of employment legislation digest*. Retrieved December 1, 2017 from <http://www.ilo.org/dyn/eplex/docs/38/Senegal.pdf>
- [NAG1999] NAGAMANI, B.; RAMASAMY, K.: *Biogas production technology: An Indian perspective*. In: *Current Science*, 77(1), p. 44-55.
- [NES2017] NESHAT, S.; MOHAMMADI, M.; NAJAFPOUR, G.; LAHIJANI, P.: *Anaerobic co-digestion of animal manures and lignocellulosic residues as a potent approach for sustainable biogas production*. In: *Renewable and Sustainable Energy Reviews*, 79, p. 308-322.

- [NEA2017] NETHERLANDS ENTERPRISE AGENCY (NEA). *Energy sector analysis Senegal. Petroleum & Gas*. NEA, The Hague, August 2017.
- [NIS2016] NISHIMWE, H.; IMANANTIREGANYA, I.; MBONYI, M.: *Impact and effectiveness of Rwanda's National Domestic Biogas Programme*. In: *International Journal of Environmental Studies*, 73(3), p. 402-421.
- [ORS2014] ORSKOV, B.; YONGABI, K.; SUBEDIA, M.; SMITH, J.: *Overview of Holistic Application of Biogas for Small Scale Farmers in Sub-Saharan Africa*. Aberdeen, UK and Bamenda Cameroon PRF, Cameroon.
- [OWE2008] OWEKISA, D. *Financing Domestic Biogas in Rwanda*. SNV-Rwanda, Kigali, October 2008.
- [PF2018] PHILLIPSON FOUNDATION. (2018). *Inter-Associations Aliniha Autogérées de la région de Tambacounda (Sénégal)*. Retrieved January 17, 2017 from <http://www.philippsonfoundation.org/index.php?id=111>
- [PIE2016] PIETERS, H.; VAN DEN BROECK, G.; MAERTENS, M.; SWINNEN, J.: *Large-scale agricultural investments by private exports companies: evidence from Senegal*, presented at the Annual World Bank Conference on Land and Poverty. Washington, D.C., March 14-18.
- [PNB2010] PNB-SN: Programme National de Biogaz domestique du Sénégal Phase 1, Arrete Ministeriel No. 12100, J. O. No. 6519 (2010). Retrieved October 28, 2017 from <http://www.jo.gouv.sn/spip.php?article7948>
- [POS2003] POST, J.; SNEL, M.: *The impact of decentralised forest management on charcoal production practices in Eastern Senegal*. In: *Geoforum*, 34, p. 85–98.
- [PRA2006] PRAHALAD, C.K.: *The Fortune at the Bottom of the Pyramid: Eradicating Poverty through Profits*. Upper Saddle River, New Jersey, USA.
- [PUT2015] PUTTI, V.R.; TSAN, M.; MEHTA, S.; KAMMILA, S. *The State of the Global Clean and Improved Cooking Sector (Technical Report 007/15)*. The International Bank for Reconstruction and Development / THE WORLD BANK GROUP, Washington, D.C., May 2015.



- [RAJ2012] RAJENDRAN, K.; ASLANZADEH, S.; TAHERZADEH, M.: *Household Biogas Digester- A Review*. In: *Energies*, 5, p. 2911-2942.
- [RAK2013] RAKOTOJAONA, L.: *Domestic Biogas Development in Developing Countries*. ENEA Consulting, Paris, July 2013.
- [REO2011] RENEWABLE ENERGY ORIENTATION LAW OF 2010, Law No. 2010-21, J. O. No. 6581 (2011). Retrieved December 2, 2017, from <http://www.jo.gouv.sn/spip.php?article8906>
- [SAH2016] SAHOO, K. C. (2016, December 20). *Senegal pilots carbon finance to connect people to power*. Retrieved December 15, 2017, from <http://blogs.worldbank.org/climatechange/senegal-pilots-carbon-finance-connect-people-power>
- [SEC2016] SECK, M.; MARSHALL, K.; FADIGA, M.: *Policy Framework for dairy development in Senegal*. International Livestock Research Institute (ILRI), Nairobi, Kenya.
- [SEC2007] SECK, P. (2007). *The Rural Energy Challenge in Senegal: A Mission Report (Report prepared for the Human Development Report 2007/2008, Occasional Paper No. 60)*. Retrieved November 13, 2017 from [http://hdr.undp.org/en/reports/global/hdr2007-2008/papers/Seck\\_Papa\\_SENEGAL.pdf](http://hdr.undp.org/en/reports/global/hdr2007-2008/papers/Seck_Papa_SENEGAL.pdf)
- [SEM2011] SEMIS. *Direction de l'Hydraulique Rurale PEPAM. Sous-programme PEPAM IDA. PLHA: Communauté Rurale de Koulor*. SEMIS, Dakar, December 2011.
- [SEN2009] SENE, A. A.: *Sous-Programme IDA: régions de Saint-Louis, Matam et Tambacounda: cadre de Gestion Environnementale et Sociale (Report No. E2201)*. World Bank, Dakar, June 2009.
- [SEP2016] SEPPALA, J. (2016, January 29). *Bringing better biodigesters and clean energy to Africa*. Retrieved December 16, 2017, from <https://blogs.worldbank.org/climatechange/bringing-better-biodigesters-and-clean-energy-africa>
- [SOV2014] SOVACOOOL, B.K.: *Defining, Measuring, and Tackling Energy Poverty*. In: Halff, A.; Sovacool, B. K.; Rozhon, J. (Hrsg.): *Energy poverty: global challenges and local solutions*. Oxford, UK.
- [SMI2014] SMITH, J.; ABEGAZ, A.; MATTHEWS, R.; SUBEDI, M.; ORSKOV, B.; TUMWESIGE, V.; SMITH, P.: *What is the potential for biogas digesters to improve soil fertility and crop*

- production in Sub-Saharan Africa?* Retrieved January 5, 2018, from [http://aura.abdn.ac.uk/bitstream/handle/2164/4013/6.\\_Smith\\_et\\_al\\_2014.pdf?sequence=1](http://aura.abdn.ac.uk/bitstream/handle/2164/4013/6._Smith_et_al_2014.pdf?sequence=1)
- [SNV2006] SNV LAO PDR. (2006). *Trainee's Manual for Training of Trainers for Construction and Supervision of Biogas*. Retrieved December 10, 2017 from <http://www.bibalex.org/Search4Dev/files/338827/172327.pdf>
- [SNV2013] SNV NETHERLANDS DEVELOPMENT ORGANIZATION: *Milestone of 500,000 biodigesters reached*. In: Domestic Biogas Newsletter, 8, p. 1-7.
- [STO2010] STODDARD, I.: *Communal Polyethylene Biogas Systems: Experiences from on-farm research in rural West Java*. Uppsala, Sweden: Uppsala University.
- [SUB2011] SUBBARAO, S.; LLOYD, B.: *Can the Clean Development Mechanism (CDM) Deliver?* In: Energy Policy, 39(3), p. 1600-1611.
- [SUB2014] SUBEDI, M.; MATTHEWS, R. B.; POGSON, M.; ABEGAZ, A.; BALANA, B. B.; OYESIKU-BLAKEMORE, J.; SMITH, J.: *Can biogas digesters help to reduce deforestation in Africa?* In: Biomass and Bioenergy, 70, p. 87-98.
- ['TAMBA-COUNDA'2016] TAMBACOUNDA: UN COMBAT SYNERGIQUE CONTRE LE TRAFIC ILLICITE DU BOIS. (2016, April 28). Retrieved November 20, 2017 from <https://actuprime.com/tambacounda-combat-synergique-contre-traffic-illicite-bois/>
- [UND2005] UNITED NATION DEVELOPMENT PROGRAMME (UNDP). (2005). *Energy Services for the Millennium Development Goals*. Retrieved February 7, 2018, from [http://www.undp.org/content/undp/en/home/librarypage/environment-energy/sustainable\\_energy/energy\\_services\\_forthemillenniumdevelopmentgoals.html](http://www.undp.org/content/undp/en/home/librarypage/environment-energy/sustainable_energy/energy_services_forthemillenniumdevelopmentgoals.html)
- [UND2016] UNITED NATIONS DEVELOPMENT PROGRAMME (UNDP). (2016). *Human Development for Everyone (Briefing note for countries on the 2016 Human Development Report: Senegal)*. Retrieved November 12, 2017 from [http://hdr.undp.org/sites/all/themes/hdr\\_theme/country-notes/SEN.pdf](http://hdr.undp.org/sites/all/themes/hdr_theme/country-notes/SEN.pdf)

*Implementing sustainable domestic biogas projects in Senegal*

- [USA2007] UNITED STATES AGENCY FOR INTERNATIONAL DEVELOPMENT (USAID). *Corruption Assessment: Senegal*. USAID, Dakar, August 2007.
- [USA2008] UNITED STATES AGENCY FOR INTERNATIONAL DEVELOPMENT (USAID). *Agriculture – Natural Resource Management Project - Wula Nafaa (Final Report, Feb 2003 - May 2008)*. USAID, Dakar, May 2008.
- [USA2008] UNITED STATES AGENCY FOR INTERNATIONAL DEVELOPMENT (USAID). *Senegal Biodiversity and Tropical Forests Assessment: Prosperity, Livelihoods and Conserving Ecosystems (PLACE) IQC Task Order #1*. USAID, Dakar, March 2008.
- [USA2010] UNITED STATES AGENCY FOR INTERNATIONAL DEVELOPMENT (USAID). *Senegal—Property Rights and Resource Governance Profile*. USAID, Dakar, 2010.
- [USA2016] UNITED STATES AGENCY FOR INTERNATIONAL DEVELOPMENT (USAID). *Greenhouse Gas Emissions in Senegal (Fact sheet)*. Dakar, Senegal.
- [USD2013] UNITED STATES DEPARTMENT OF STATE. (2013). *2013 Investment Climate Statement- Senegal*. Retrieved December 10, 2017 from <https://www.state.gov/e/eb/rls/othr/ics/2013/204727.htm>
- [USD2016] UNITED STATES DEPARTMENT OF STATE. *SENEGAL 2016 INTERNATIONAL RELIGIOUS FREEDOM REPORT*. In: 2016 International Religious Freedom Report. United States Department of State, Washington, D.C., August 2017.
- [WIL2015] WILLANE, B. (2015, April 9). *PROGRAMME NATIONAL DE BIOGAZ: Bilan décevant, perspectives prometteuses*. Retrieved November 29, 2017, from <http://www.enquete-plus.com/content/programme-national-de-biogaz-bilan-d%C3%A9cevant-perspectives-prometteuses>
- [WIN2014] WINN, M.I.; KIRCHGEORG, M. (2014). *Bottom of the Pyramid*. Retrieved February 11, 2018, from <https://www.britannica.com/topic/Bottom-of-the-Pyramid>
- [WIS2015] WISNER, B.; PELLING, M.; MASCARENHAS, A.; HOLLOWAY, A.; NDONG, B.; FAYE, P.; RIBOT, J.; SIMON, D.: *Small Cities and Towns in Africa: Insights into Adaptation*

- Challenges and Potentials*. In: PAULEIT, S.; COLY, A.; FOHLMEISTER, S.; GASPARINI, P.; JØRGENSEN, G.; KABISCH, S.; KOMBE W.J.; LINDLEY, S.; SIMONIS, I.; YESHITELA, K. (Hrsg.): *Urban vulnerability and climate change in Africa: a multidisciplinary approach*. Cham, Switzerland.
- [WOO2004] WOOD, E. C.; TAPPAN, G. G.; HADJ, A.: *Understanding the drivers of agricultural land use change in south-central Senegal*. In: *Journal of Arid Environments*, 59, p. 565–582.
- [WB2007] WORLD BANK. *Sustainable wood fuel improves rural livelihoods in Senegal*. IDA, Washington, D.C., April 2007.
- [WB2013] WORLD BANK. *State of the Clean and Improved Cooking Sector in Sub-Saharan Africa*. Washington, D.C.: World Bank.
- [WB2014] WORLD BANK. (2014). *Access to electricity, rural (in % of rural population)*. Retrieved November 25, 2017 from <https://data.worldbank.org/indicator/EG.ELC.ACCS.RU.ZS?locations=SN>
- [WB2016] WORLD BANK. (2016). *Rural Population (% of total)*. Retrieved November 17, 2017, from <https://data.worldbank.org/indicator/SP.RUR.TOTL.ZS?end=2016&locations=SN&start=2016>
- [WB2016] WORLD BANK. (2016). *Population, total*. Retrieved November 17, 2017, from <https://data.worldbank.org/indicator/SP.POP.TOTL?end=2016&locations=SN&start=2016>
- [WB2017] WORLD BANK. (2017). *Overview*. Retrieved November 17, 2017, from <http://www.worldbank.org/en/country/senegal/overview>
- [WU2015] WU, J.: *Goal 7—Ensure Access to Affordable, Reliable, Sustainable and Modern Energy for All*. In: *The Magazine of the United Nations*, LI(4).
- [WUR2010] WURSTER, K.: *Management Matter? Effects of Charcoal Production Management on Woodland Regeneration in Senegal*. Ph.D. Thesis, University of Maryland, College Park, USA.
- [ZHA2013] ZHANG, T.; LIU, L.; SONG, Z.; REN, G.; FENG, Y.; HAN, X.; YANG, G.: *Biogas Production by Co-Digestion of Goat Manure with Three Crop Residues*. In: *PLoS ONE*, 8(6), p. 1–7.

## **Appendix**

### **The Biochemistry of Biogas**

Biogas technology relies on a natural process known as anaerobic digestion, which is a process of biodegradation performed by a diverse population of microbial organisms in the absence of oxygen. This processing of living matter creates two products: biogas and bio-slurry (digestate). There are vast numbers of microorganisms involved in this process, each of which produces specialized enzymes that degrade specific components of the organic matter. The major biodegradation processes of anaerobic digestion include hydrolysis, acidogenesis, acetogenesis, and methanogenesis [MAT2003]. In the first step of biodegradation, certain types of bacteria break down large and complex polymers, including carbohydrates, proteins and lipids into simple compounds such as sugars, amino acids and long-chain fatty acids [ibid]. In the next step, fermenting bacteria convert the simple compounds into volatile fatty acids (VFAs), carbon dioxide, pyruvate, formate, ethanol and other intermediates [ibid]. These intermediates are then converted into acetate, hydrogen and carbon dioxide in a process known as acetogenesis [ibid]. Lastly, the methanogenesis phase involves the conversion of carbon dioxide and hydrogen into methane gas by methanogenic bacteria [ibid]. Biogas contains about 40-75 % methane, 15-60 % carbon dioxide, and trace amounts of hydrogen, hydrogen sulphide, ammonia, oxygen, nitrogen, carbon monoxide, and other gases [MAT2016]. Digestate, otherwise known as bio-slurry, comprises the solid leftover waste matter containing high amounts of soluble nitrogen and a lower content of organic matter, making it an ideal fertilizer [LUO2011]. The amount of time it takes to produce gas from the dung within the digester tank is known as the Hydraulic Retention Time (HRT), which is dependent on the volume of the digester tank and the temperature of the feedstock [SNV2006]. Furthermore, the quality of biogas produced will be dependent on the composition of the feedstock, namely the carbon/nitrogen ratio, pH, and nutrient/mineral concentrations [MAT2003]. Biogas feedstock can come from a variety of different resources including animal waste or slurry, sewage sludge, solid municipal waste, agricultural waste, all of which contain a different ratio of fats, cellulose, hemicellulose, carbohydrates, and proteins [ibid].

In many countries of the Global South, energy infrastructure is holey, unreliable or simply not existent. This leads to different kinds of severe problems. Just to name a few: Family members, mostly women, spend hours every day to collect firewood for cooking. In many cases, they suffer under pulmonary diseases, because they have no access to clean cooking facilities. And companies are less productive without access to electricity.

Students of the Joint International Master on Sustainable Development worked on energy access scale-up projects during their third semester at Leipzig University. In this semester, students are requested to work on an "integration project": integrating various aspects of sustainable development in a particular case study. The class of 2017 approached energy access from the interdisciplinary perspective of sustainable development, anchored however in the field of Economics and Management Science to ensure feasibility of their work. This present edition of Studies in Infrastructure and Resources Management looks at their work in two different energy access scale-up projects in the sub-Saharan countries Nigeria and Senegal.

The Institute for Infrastructure and Resources Management (IIRM) at the University of Leipzig pursues an integrative approach that addresses economic, environmental and social aspects of sustainable resources management in the relevant fields of energy, water, land-use and waste. The IIRM research activities focus on solving environmental and energy related infrastructure problems and are geared to provide scientific support for decision makers on corporate, municipal, national and global levels.